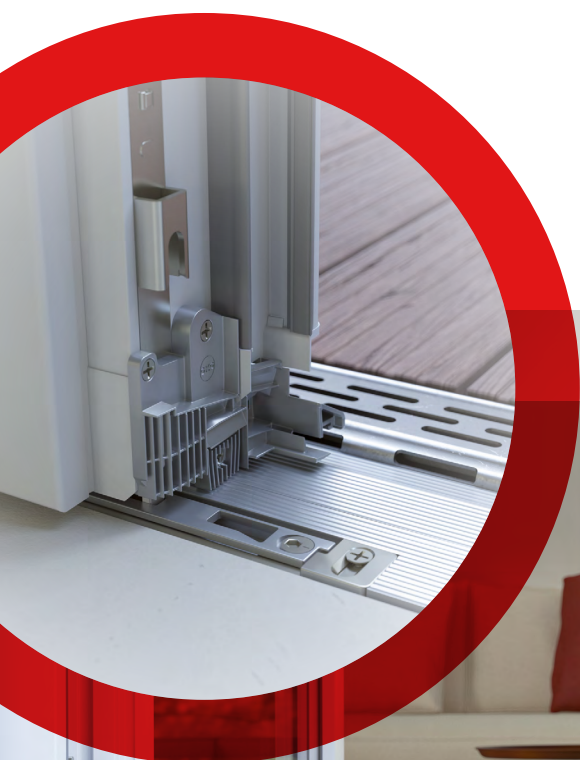


Window and Door technology



Components fitting to

ALUPLAST





Grundmeier KG
Bartholomäusweg 1
33334 Gütersloh
Germany
Tel: + 49 (0) 52 41 / 94 48 -0
Fax: + 49 (0) 52 41 / 94 48 -48
info@grundmeierkg.de

www.grundmeierkg.de

Minor quantities and special
versions completed with surcharge.

Catalogue new as from June 2018

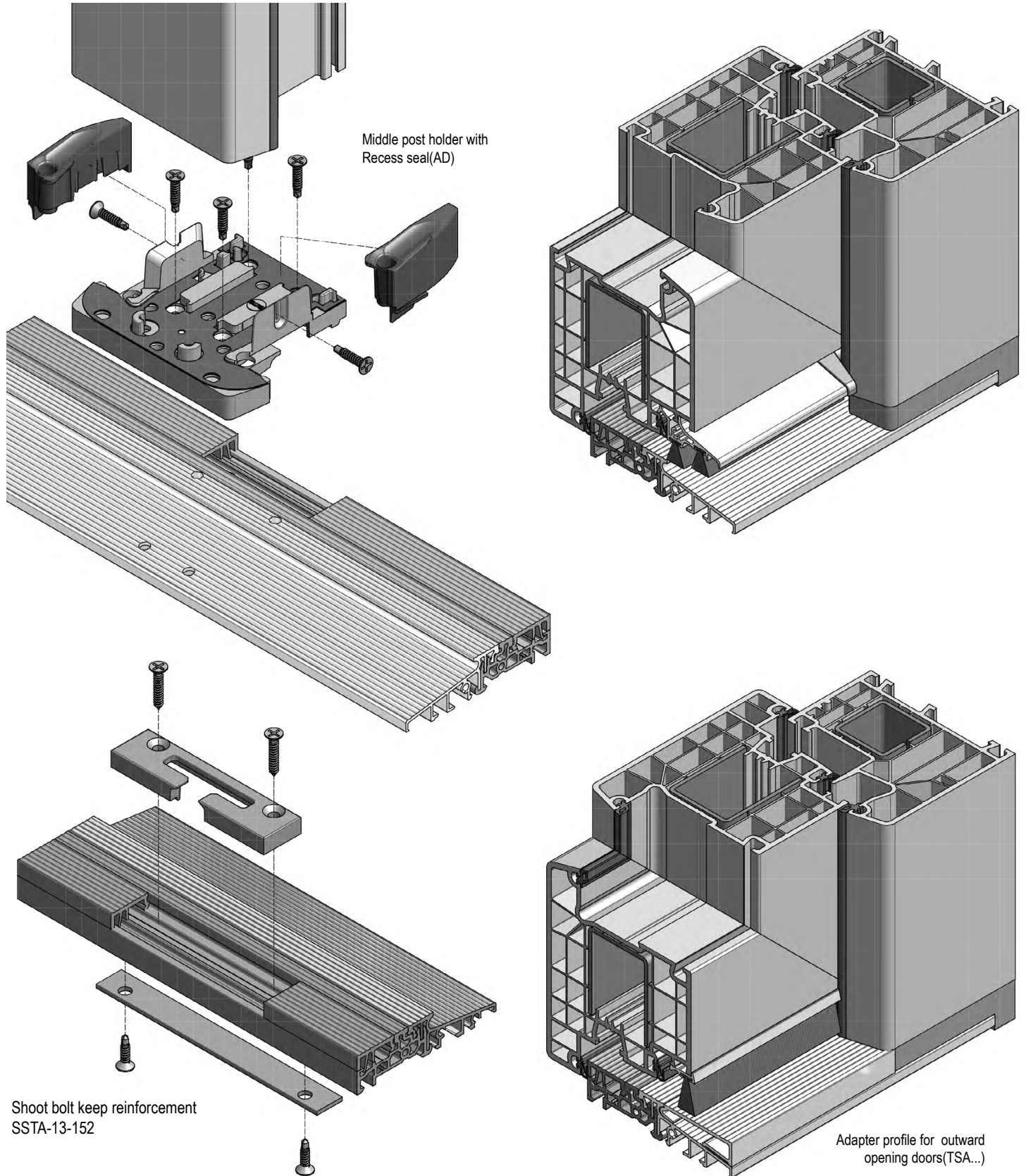
Distribution and duplication
this document is not permitted.
All rights reserved.



Contents

Threshold System COMBI PLUS fitting to Ideal 7000 / 8000.....	4
Threshold System COMBI PLAN fitting to Ideal 7000 AD.....	11
Threshold System COMBI fitting to Ideal 4000 / 5000.....	16
Threshold packers fitting to Threshold Systems COMBI, COMBI PLUS & BASIC.....	22
Door fitting accessories for Threshold System COMBI & COMBI PLUS.....	24
Threshold System „Basic“ fitting to Ideal 4000.....	26
Transom and Mullion connectors fitting to Ideal 4000/5000/6000.....	29
Glass bridges fitting to Ideal 4000/5000/6000.....	31
Dummy Sash clip fitting to Ideal 2000/4000.....	32
Step protection / Weatherside profile.....	33
Weldable corner joint „SVX“ fitting to door reinforcement.....	35

Threshold System COMBI PLUS fitting to Ideal 7000 / 8000

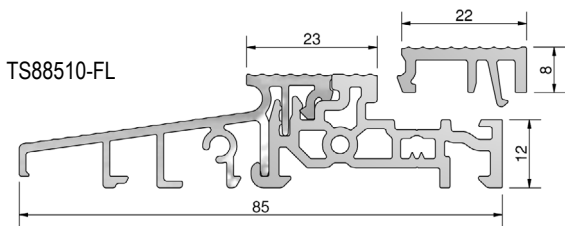


Threshold System COMBI PLUS fitting to Ideal 7000 / 8000

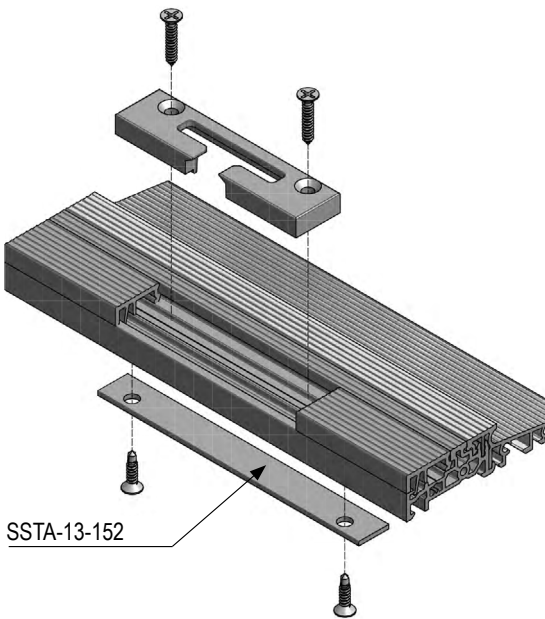
Proof of Air Permeability, Water tightness under heavy rain, resistance to wind load through IFT Rosenheim:

- 1.) Front door 1-leaf (Aluplast 7000) See test report 14-001963-PR04 from 21.8.2014.
- 2.) French door 2-leaf. (Aluplast 8000 Energeto) with 4mm air gap. See test report 14-001963-PR02 from 20.8.2014.

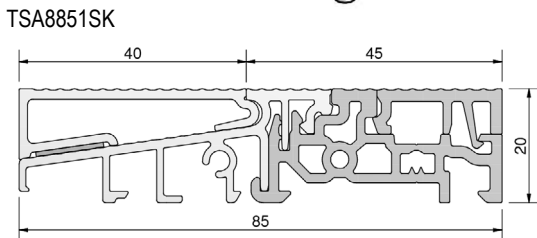
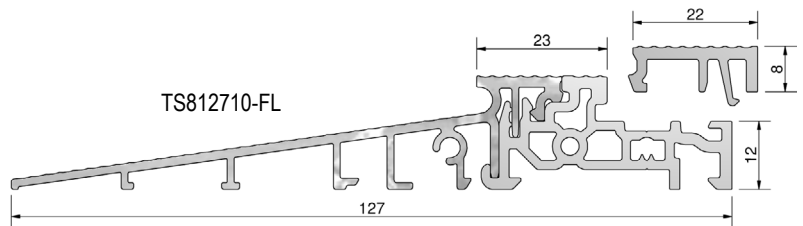
Testing of Air Permeability, Water tightness under heavy rain, resistance to wind load through the civil engineering material testing insitute (MPA) Braunschweig: French door 2-leaf. (Aluplast 8000 Energeto) mit 10mm Falzluft. See test report 3697/597/14 from 18.12.2014.



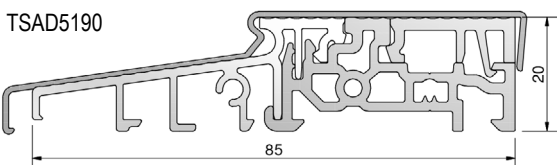
Aluminium-PVC-Threshold 85mm Depth - without thermal bridge, with strike plate strip, Size: 85x20x4500mm, EV1 Anodised, PVC Grey, fluted with protective foil			
Article Nr.	matching packers:	Comments	Meter
TS88510-FL	TSUK6230/RC, TSUK6265/RC TSUK68-30, TSUK68-100, TSUK68-150, TSUK4135, TSUK4180 TSUK5049 (All versions), TSAP... Aluplast 120... 221/ 223/ 242	Lose strike plate strip	36



Aluminium-PVC-Threshold 127mm Depth - without thermal bridge, with strike plate strip, Size: 127x20x4500mm, EV1 Anodised, PVC Grey, fluted with protective foil			
Article Nr.	matching packers :	Comments	Meter
TS812710-FL	TSUK6230/RC, TSUK6265/RC TSUK68-30, TSUK68-100, TSUK68-150, TSUK4135, TSUK4180 TSUK5049 (All versions), TSAP... Aluplast 120... 221/ 223/ 242	Lose strike plate strip	27



Strike plate reinforcement COMBI PLUS, Galvanised steel			
Article Nr.	Fitting to Threshold	Size	Pieces
SSTA-13-152	Combi plus (all)	130x15mm	50

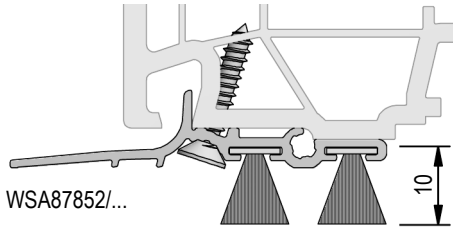


Aluminium adapter profile for Threshold for Outward opening doors			
Article Nr.	Fitting to Threshold	Colour	Meter
TSA8851SK	TS88510-FL	EV1	45

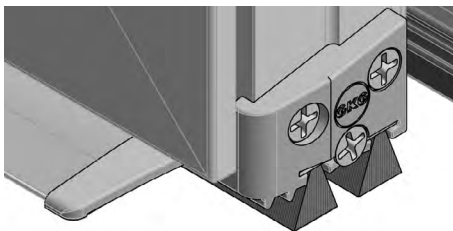
Protective cover for Threshold, 980mm long, PVC Grey			
Article Nr.	Fitting to Threshold	Pieces	
TSAD5190	TS88510-FL	30	

Threshold System COMBI PLUS fitting to Ideal 7000 / 8000

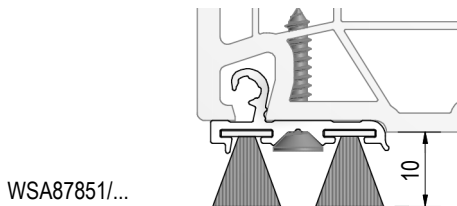
Ideal 7000



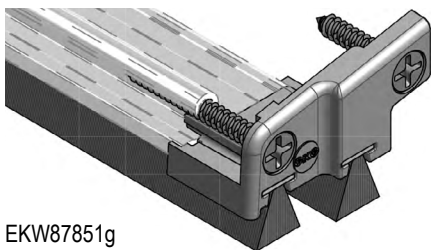
Weatherside profile, Anodised EV1 including brush pile (BD...), 1950mm long Fitting to Ideal 7000 AD				
Article Nr.	Colour	Profile	Comments	Pieces
WSA87852/BD10/BD10	EV1	7000	BT FZL 10mm	25
WSA87852/BD12/BD12	EV1	7000	HT FZL 12mm	25



End cap pair Weatherside profile fitting Aluplast 7000				
Article Nr.	Colour	Fitting WSA...	Profile	Pair
EKW87852g	Grey	WSA87852/...	7000	50

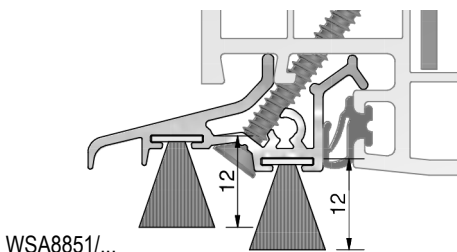


Weatherside profile, including brush pile (BD...), 1950mm long, also for outward opening doors. Fitting to Ideal 7000 AD				
Article Nr.	Colour	Profile	Comments	Pieces
WSA87851/BD10/BD10	EV1	7000	BT FZL 10mm	25
WSA87851/BD12/BD12	EV1	7000	HT FZL 12mm	25

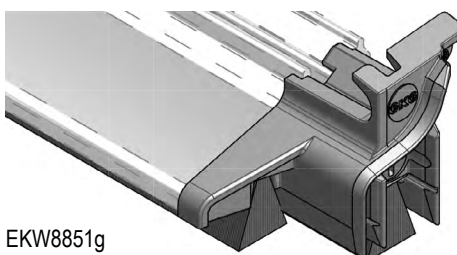


Endkappenpaar für Weatherside profile fitting Aluplast 7000				
Article Nr.	Colour	Fitting WSA...	Profile	Pair
EKW87851g	Grey	WSA87851/...	7000	50

Ideal 8000



Weatherside profile, including brush pile (BD...), 1950mm long, Fitting to Ideal 8000 MD				
Article Nr.	Colour	Profile	Comments	Pieces
WSA8851/BD12/BD12	EV1	8000	BT FZL 10mm	25
WSA8851/BD12/BD12	EV1	8000	HT FZL 10mm	25



End cap pair for Weatherside profile fitting Aluplast 8000				
Article Nr.	Colour	Fitting to WSA...	Profile	Pair
EKW8851g	Grey	WSA8851/...	8000	50

Threshold System COMBI PLUS fitting to Ideal 7000 / 8000

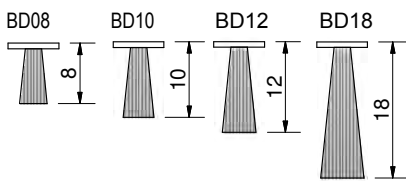
TD5015/...



Door seal for outward opening, with one brush pile seal, 1950mm long, Article Nr. TD5015/Brush pile* (See Brush pile)

Article Nr.	Colour	Profile	Pieces
TD5015/...*	EV1	8000	25

* Please include the required brush pile with order!

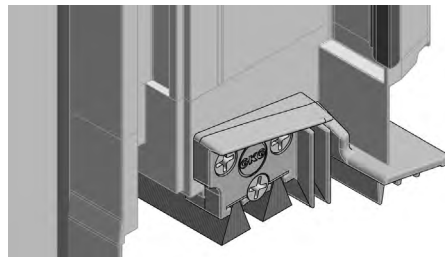


Available brush pile*, 1100mm long

Article Nr.	Material	Height	Pieces
BD8	Bürste	8mm	100
BD10	Bürste	10mm	100
BD12	Bürste	12mm	100
BD18	Bürste	18mm	100

*Only available together with GKG Weatherside profile or holder.

STK87853g/...
(to WSA87852)

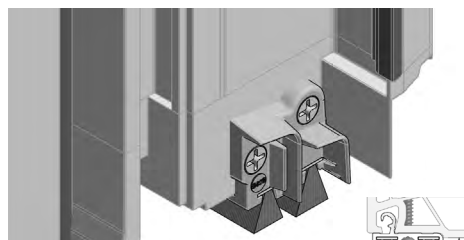


Ideal 7000

French door end caps (STK...)* soft plastic, Grey, fitting Ideal 7000 AD Weatherside profile WSA87852

Article Nr.	Profile	Profile Nr.	Fitting WSA	DIN	Pieces
STK87853g/Left	7000 AD	170X64	WSA87852	Left	10
STK87853g/Right	7000 AD	170X64	WSA87852	Right	10

*Patented French door seal, Patent Nr. EP 2 290 187

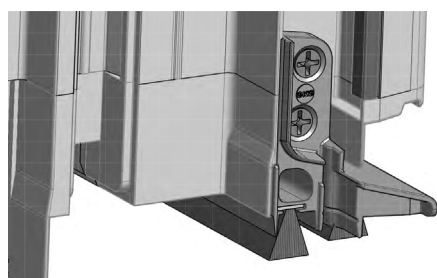


STK87852g/... (zu WSA87851)

French door end caps (STK...)* soft plastic, Grey, fitting Ideal 7000 AD Weatherside profile WSA87851

Article Nr.	Profile	Profile Nr.	Fitting WSA	DIN	Pieces
STK87852g/Left	7000 AD	170X64	WSA87851	Left	10
STK87852g/Right	7000 AD	170X64	WSA87851	Right	10

*Patented French door seal, Patent Nr. EP 2 290 187



STK8852g/...

Ideal 8000

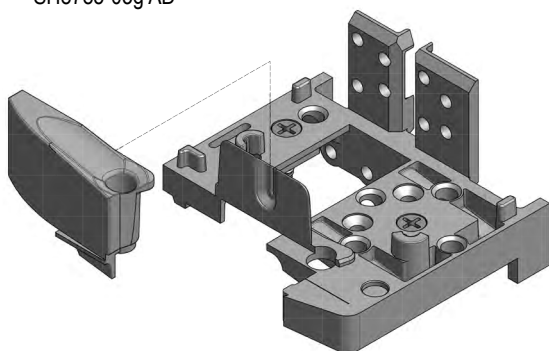
French door end caps (STK...)* soft plastic, Grey Fitting Ideal 8000 MD

Article Nr.	Profile	Profile Nr.	WSA	DIN	Pieces
STK8852g/Left	8000 MD	180X64, 180X65, 180X66	8851	Left	10
STK8852g/Right	8000 MD	180X64, 180X65, 180X66	8851	Right	10
STK8853g/Left	8000 MD	080X89	8851	Left	10
STK8853g/Right	8000 MD	080X89	8851	Right	10

*Patented French door seal, Patent Nr. EP 2 290 187

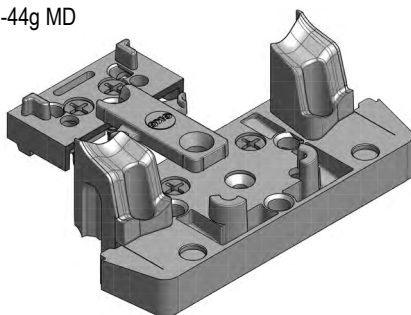
Threshold System COMBI PLUS fitting to Ideal 7000 / 8000

SH8785-03g AD



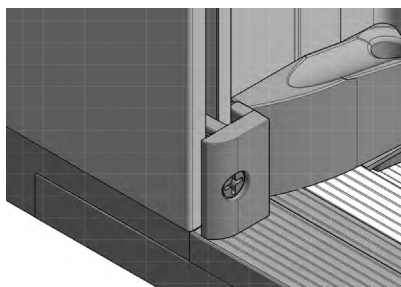
Frame holder (SH...) from plastic, grey inc. Threshold seal and seal block (seal block only with 7000AD)				
Article Nr.	Profile	Frame	Width	Pair
SH8785-02 AD7000g	7000 AD	170x02	70mm	20
SH8785-03 AD7000g	7000 AD	170X03	80mm	20
SH8785-03 AD7000-r-g	7000 AD	170X03 round line	80mm	20
SH885-03 MD8000-r-g	8000 MD	180X03 round line	80mm	20
SH885-04 MD8000g	8000 MD	180X04, 080X04	100mm	20
SH885-05 MD8000g	8000 MD	180X05, 080X05	80mm	20

MH8785-44g MD



Middle post holder (SH...) from plastic, grey inc. Threshold seal and seal block (seal block only with 7000AD)				
Article Nr.	System	Profile	Width	Pieces
MH8785-41 AD7000g	7000 AD	170X41	84mm	20
MH8785-44 AD7000g	7000 AD	170X44	104mm	20
MH885-43 MD8000-r-g	8000 MD	180X43 round line	104mm	20
MH885-44g MD8000g	8000 MD	180X44	104mm	20

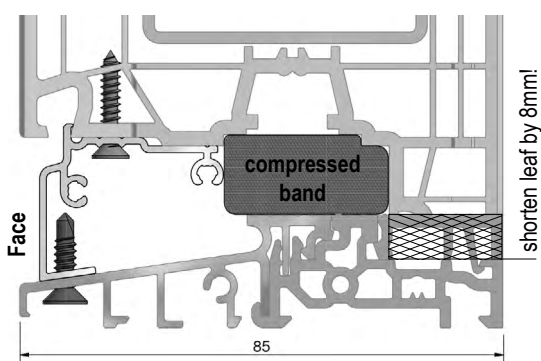
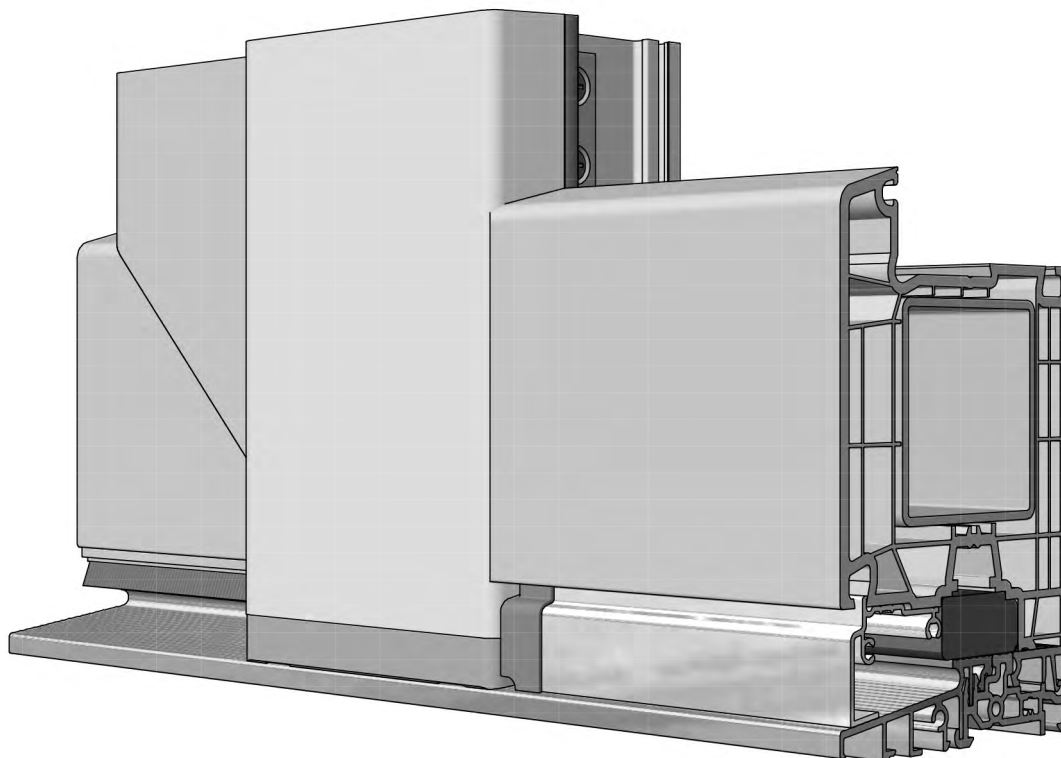
DTE87851 AD 7000



Trigger plate for drop down seals fitting Aluplast 7000 AD - useable for Left & Right			
Article Nr.	Colour	Profile	Pieces
DTE87851 AD 7000	Grey	4000	10

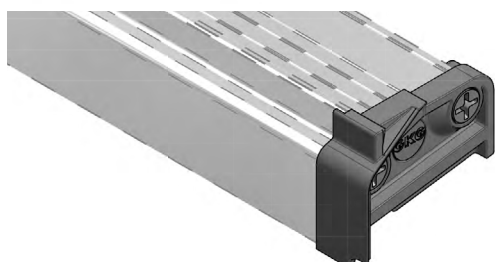
Threshold System COMBI PLUS fitting to Ideal 7000 / 8000

Fixed sidelight



Aluminium anodised EV1 side light profile. Fitting to Aluplast 7000

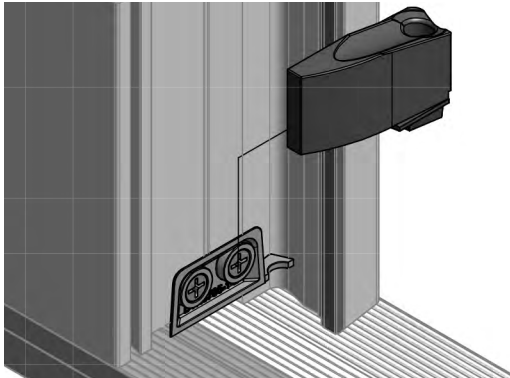
Article Nr.	Fitting to Threshold	Colour	Meter
TSAF87851/EV1	TS88510-FL	EV1	50



End cap for fixed sidelight, plastic grey. Fitting to Aluplast 7000

Article Nr.	Fitting to	Colour	Pair
EKF87851g	TSAF87851/EV1	Grey	20

Threshold System COMBI PLUS fitting to Ideal 7000 / 8000



Seal block holder (universal)

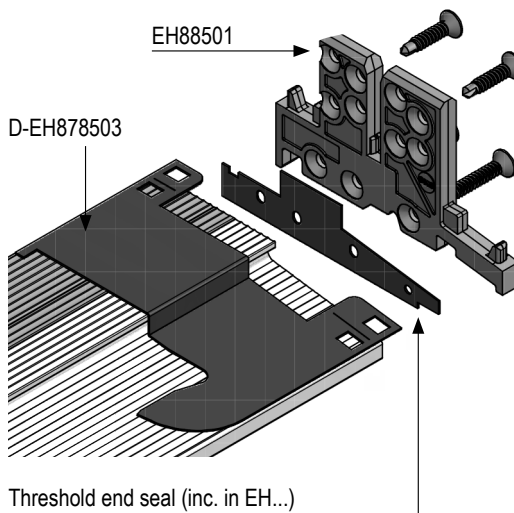
Seal block holder (DTH...) made from plastic, inc. recess seal block universal for Aluplast 7000 / 8000 with the end holder EH88501.

Article Nr.	Colour	Profile	Pair
DTH8785-1	Grey	7000/8000	50

Threshold end holder (universal)

Threshold end holder (EH...) made from plastic, universal with Aluplast 7000 / 8000, inc. Threshold end seal

Article Nr.	Colour	Profile	Pair
EH88501g	Grey	7000/8000	50



Threshold seal for milled frames

Threshold end seal plate (D-EH...) made from EPDM, Adhesive double side, grey Threshold seal for milled Profiles.

Article Nr.	Colour	End holder	Profile	Pieces
D-EH878503	Grey	EH88501	7000	100
D-EH88503	Grey	EH88501	8000	100

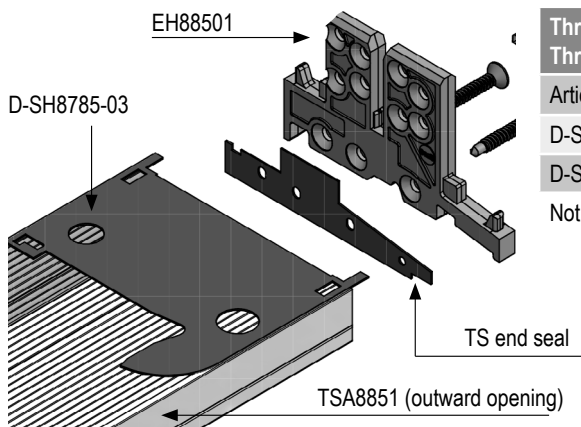
Upon request. Only for use with milled profiles!

Threshold seal for outward opening doors

Threshold seal plate (D-SH...) made from EPDM, Adhesive double side, grey Threshold seal fitting Aluplast 7000 for outward opening doors.

Article Nr.	Colour	End holder	Profile (7000)	Pair
D-SH8785-02	Grey	EH88501	170X02 (70mm)	50
D-SH8785-03	Grey	EH88501	170X03 (80mm)	50

Not for use with milled profiles!

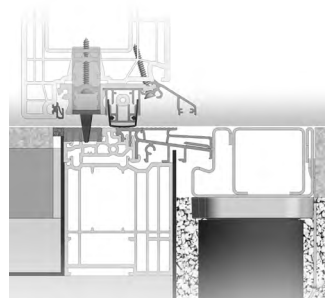


Threshold System COMBI PLAN fitting to Ideal 7000 AD

The new GKG Threshold system COMBI PLAN through our existing Threshold Systems „COMBI“ and „COMBI PLUS“ offers you the possibility of a zero Threshold. To do this, supplementary components are necessary. Our tested and thermally divided Threshold Systems „COMBI“ and „COMBI PLUS“ provide you with their extensive accessories a rational and flexible solution for a ZERO THRESHOLD, that meet all of today's requirements.



- Floor level access without sill stop.
- Versatil use for home, Balcony, tilt and turn doors, store entrance doors, aswell French doors.
- Lock strike plates in the Threshold are possible!
- Hardware can be fitted all the way around the door!
- Thermally insulated adapter under the door leaf for drop down seals and replacable Weatherside profile.
- No seal contact on the floor as the door is opened or closed.
- Easy montage on the existing GKG Threshold Systems „COMBI“ and „COMBI PLUS“.
- Drainage channel fitted onto the existing GKG Threshold.
- Drainage is optimised for exterior drainage.
- End caps made from TPE for the drainage channel.



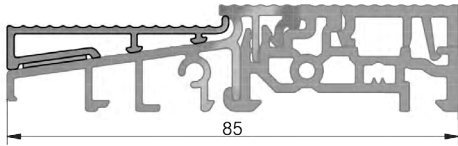
The **ZERO THRESHOLD** becomes the standard solution



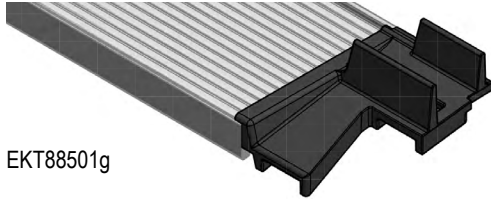
Threshold System COMBI PLAN fitting to Ideal 7000 AD

Patent EP 2 957 702

TSA8852



Aluminium drainage profile (TSA...) for Zero Thresholds self adhesive 1950mm long			
Article Nr.	zu Threshold	Colour	Pieces
TSA8852	TS88510-FL	EV1	10



EKT88501g

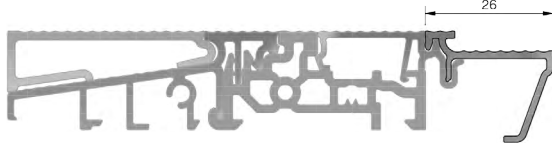
End cap (EKT...) for TSA Drainage profile made from plastic			
Article Nr.	zu Entwässerungsprofil	Colour	Pair
EKT88501g	TSA8852	Grey	10

ELA01-195 / EV1



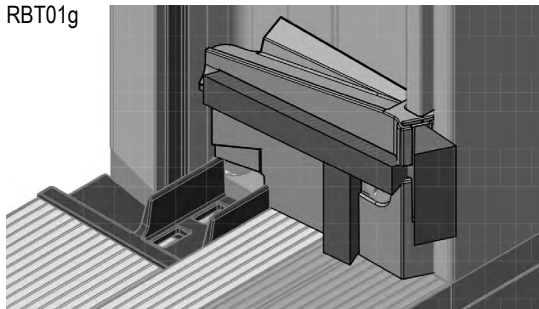
Alu inlay for outward opening doors for use with drainage profile ELA01, 1950mm long			
Article Nr.	Profile	Colour	Pieces
FL5022-CPA195/EV1	ELA01-195 / EV1	EV1	10

FL5022-CPA195/EV1

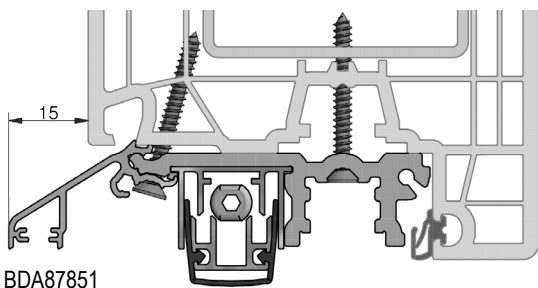


Aluminium drainage profile (ELA...) for outward opening doors, 1950mm long			
Article Nr.	Profile system	Colour	Pieces
ELA01-195 / EV1	universal	EV1	10

RBT01g



Recess seal block made from Plastic incl. 3 Brush piles			
Article Nr.	Fitting Profile	Colour	Pair
RBT01g	universal	Grey	10

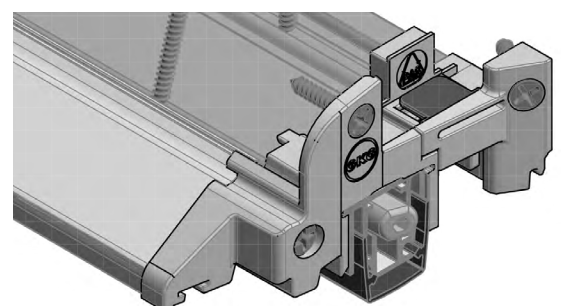


BDA87851

Adapter profile PVC with Alu Weather board for drop down seals, 1950mm long			
Article Nr.	passend Profile	Colour	Pieces
BDA87851	7000 AD	EV1/ PVC Grey	10

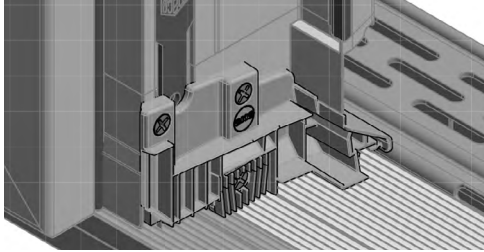
End cap to Adapter profile (2-piece) made from plastic			
Article Nr.	Adapter profile	Colour	Pair
EK-BDA87851-L/R	BDA87851	Grey	20

EK-BDA87851



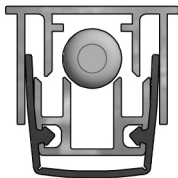
Threshold System COMBI PLAN fitting to Ideal 7000 AD

Patent EP 2 957 702



STK-BDA87851-R/L

BOD50...

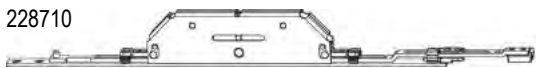
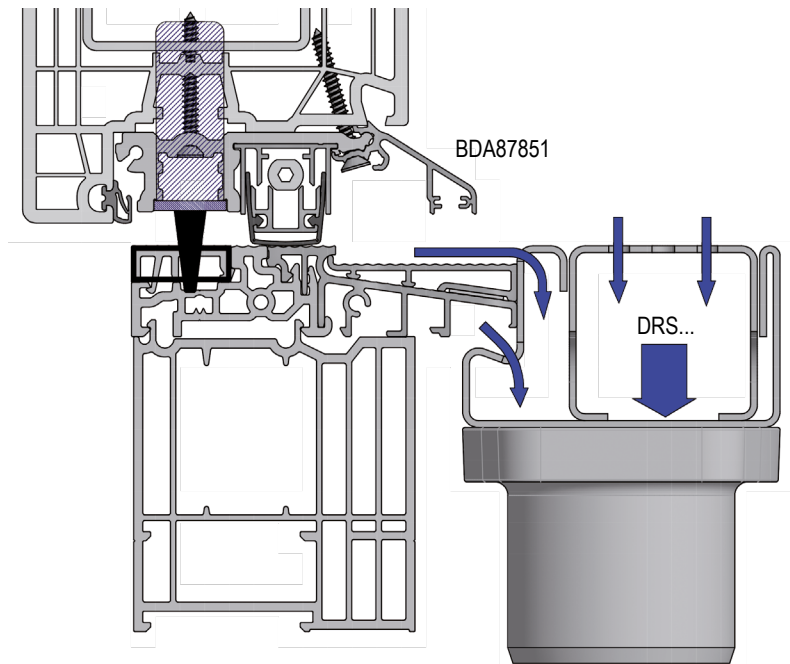


French Door end cap fitting to Adapter profile				
Article Nr.	Fitting to Adapter profile	DIN	Colour	Pieces
STK-BDA87851-L*	BDA87851	Left	Grey	10
STK-BDA87851-R*	BDA87851	Right	Grey	10

* in preparation / not yet available.

drop down seal, can be shortened by up to 125mm				
Article Nr.	Fitting to Profile	Length	DIN	Pieces
BOD50084	BDA87851	835mm	Right/Left	10
BOD50096	BDA87851	960mm	Right/Left	10
BOD50109	BDA87851	1085mm	Right/Left	10
BOD50121	BDA87851	1210mm	Right/Left	10
BOD50134	BDA87851	1335mm	Right/Left	10

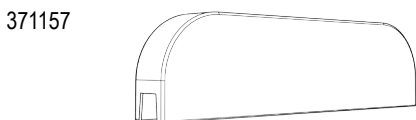
Other lengths available upon request



228710



228711



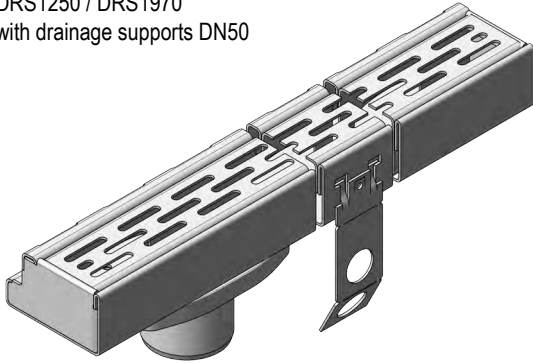
371157

MACO MULTI ZERO			
Article Nr.	Description	Colour	Fitting
228710	Hook closure horizontally extendable MM EH 350 FFH/FFB 540-1.800	Silver	COMBI PLAN
228711	Hook Striker plate MM ±1,5mm compression	Silver	COMBI PLAN
371157	VCI Protective cover for corrosion protection	Blue	COMBI PLAN

Please contact : MAYER & CO BESCHLÄGE GmbH, Salzburg

Threshold System COMBI PLAN fitting to Ideal 7000 AD - Drainage channel

DRS1250 / DRS1970
with drainage supports DN50

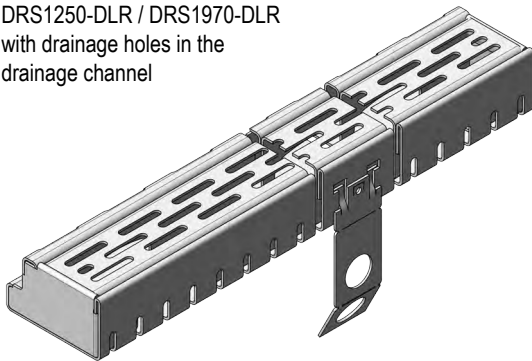


Drainage channel made from Stainless steel perforated grate, End pieces, 3 concrete anchors. Drainage connector DN50

Article Nr.	Fitting	Length	Colour	Pieces
DRS1250	TSA8762	1250mm	Stainless steel V2A	1
DRS1970	TSA8762	1970mm	Stainless steel V2A	1

Note: The drainage channel DRS ... is used exclusively for drainage of the Threshold and door. The existing surfaces or the facade must be drained separately. Alternative drainage channels can be found on the next page. For the shortening of the gutter and grate, only use new and suitable stainless steel cutting discs.

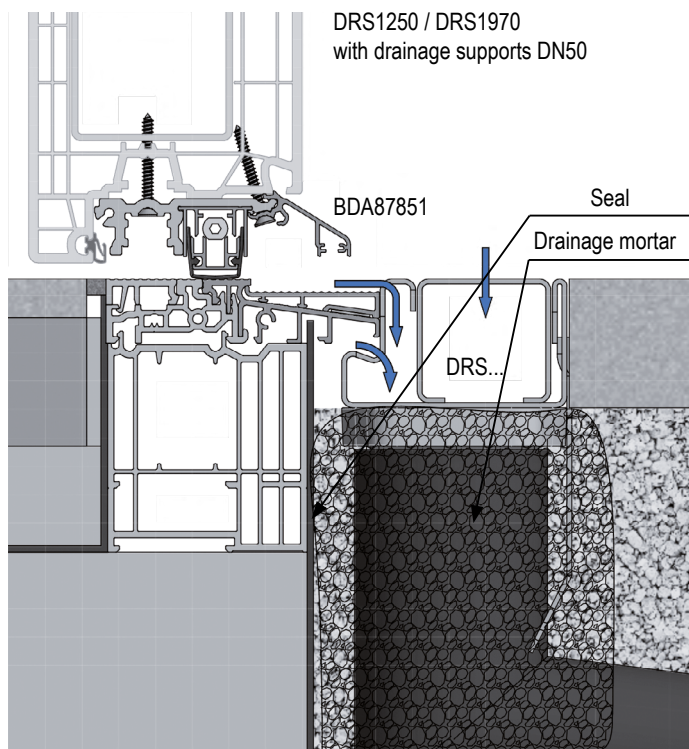
DRS1250-DLR / DRS1970-DLR
with drainage holes in the
drainage channel



Drainage channel made from Stainless steel perforated grate, End pieces, 3 concrete anchors and drainage holes in the channel body for drainage.

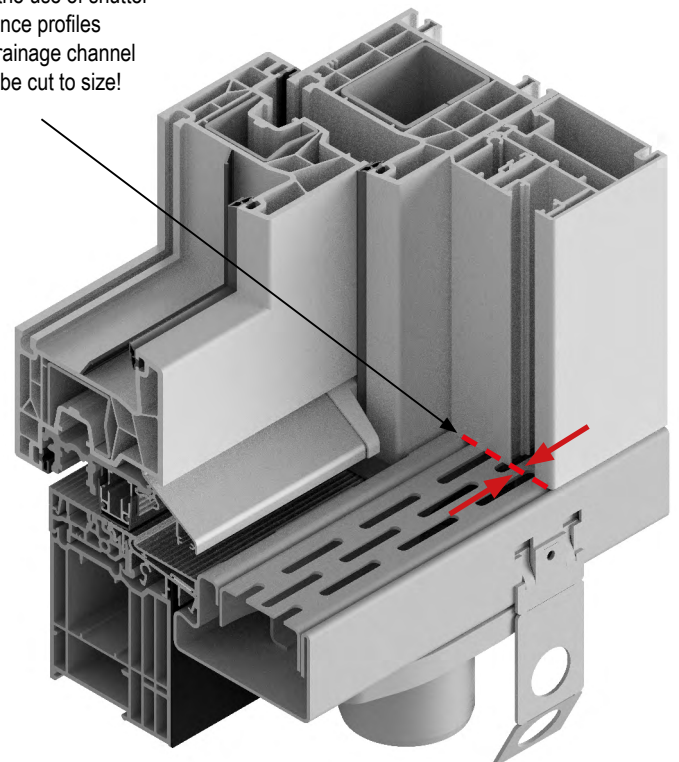
Article Nr.	Fitting	Length	Colour	Pieces
DRS1250-DLR	TSA8762	1250mm	Stainless steel V2A	1
DRS1970-DLR	TSA8762	1970mm	Stainless steel V2A	1

Note: The drainage channel DRS ... is used exclusively for drainage of the Threshold and door. The existing surfaces or the facade must be drained separately. Alternative drainage channels can be found on the next page. For the shortening of the gutter and grate, only use new and suitable stainless steel cutting discs.



DRS1250 / DRS1970
with drainage supports DN50

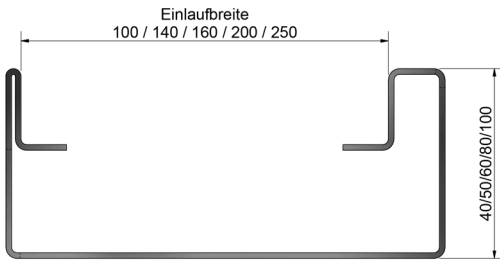
With the use of shutter
guidance profiles
the drainage channel
must be cut to size!



Threshold System COMBI PLAN - Alternative Drainage channels

Alternative Drainage channels from: BRINK „System Grundmeier“

The Stainless steel Drainage channel DRS... are designed for drainage of the door element. As an alternative you can use a drainage channel with the Threshold System COMBI PLAN called „System Grundmeier“ made by Richard Brink GmbH & Co. KG. These can be specified by the customer in terms of Material, the size and the design. The proposal for the drainage channel. The tender of the drainage channels takes place with the landscape gardener or with the Roofer.



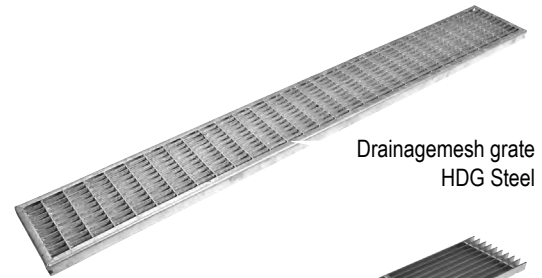
Drainage channel BRINK „System Grundmeier“			
Article Nr.	Intake Width	Height	Material
A800314	100/140/160/ 200/250 mm	40/50/60/80/ 100 mm	Stainless steel V2A
A800315	100/140/160/ 200/250 mm	40/50/60/80/ 100 mm	HDG Steel

Contact:
Richard Brink GmbH & Co. KG
Görlitzer Straße 1
33758 Schloß Holte-Stukenbrock

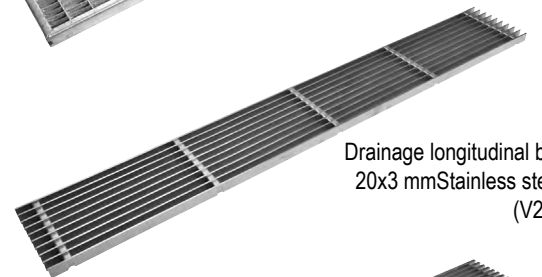
Grate examples:

All Advantages at a glance:

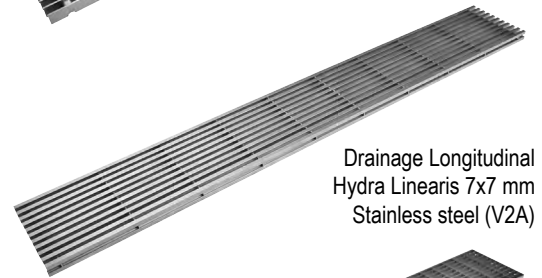
- Individual properties and Design.
- Choose between Stainless steel (V2A) or inexpensive HDG Steel.
- Large variety of drainage grates.
- Flexible Size.
- Drainage from other surfaces also possible.
- The Design can be continued at other parts of the building, where grates are being used.
- The Drainage channel Brink „System Grundmeier“ are through our test reports (transferability) covered



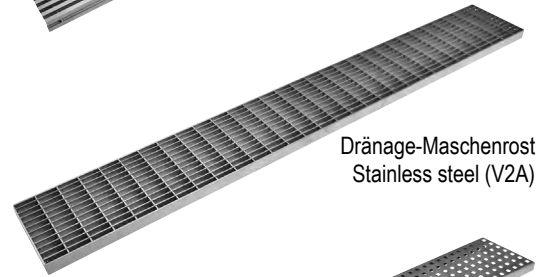
Drainagemesh grate HDG Steel



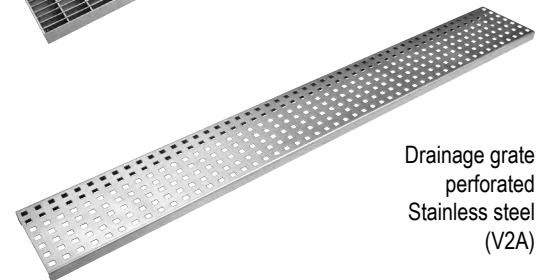
Drainage longitudinal bar 20x3 mm Stainless steel (V2A)



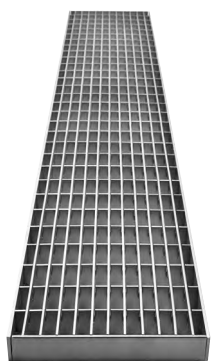
Drainage Longitudinal Hydra Linearis 7x7 mm Stainless steel (V2A)



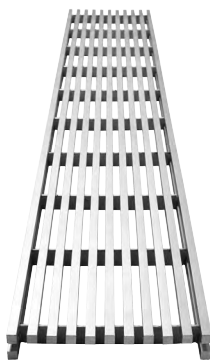
Dränage-Maschenrost Stainless steel (V2A)



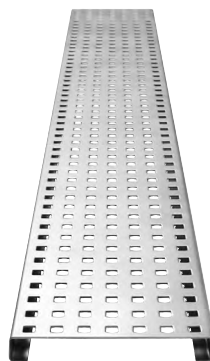
Drainage grate perforated Stainless steel (V2A)



Drainagemesh grate HDG Steel

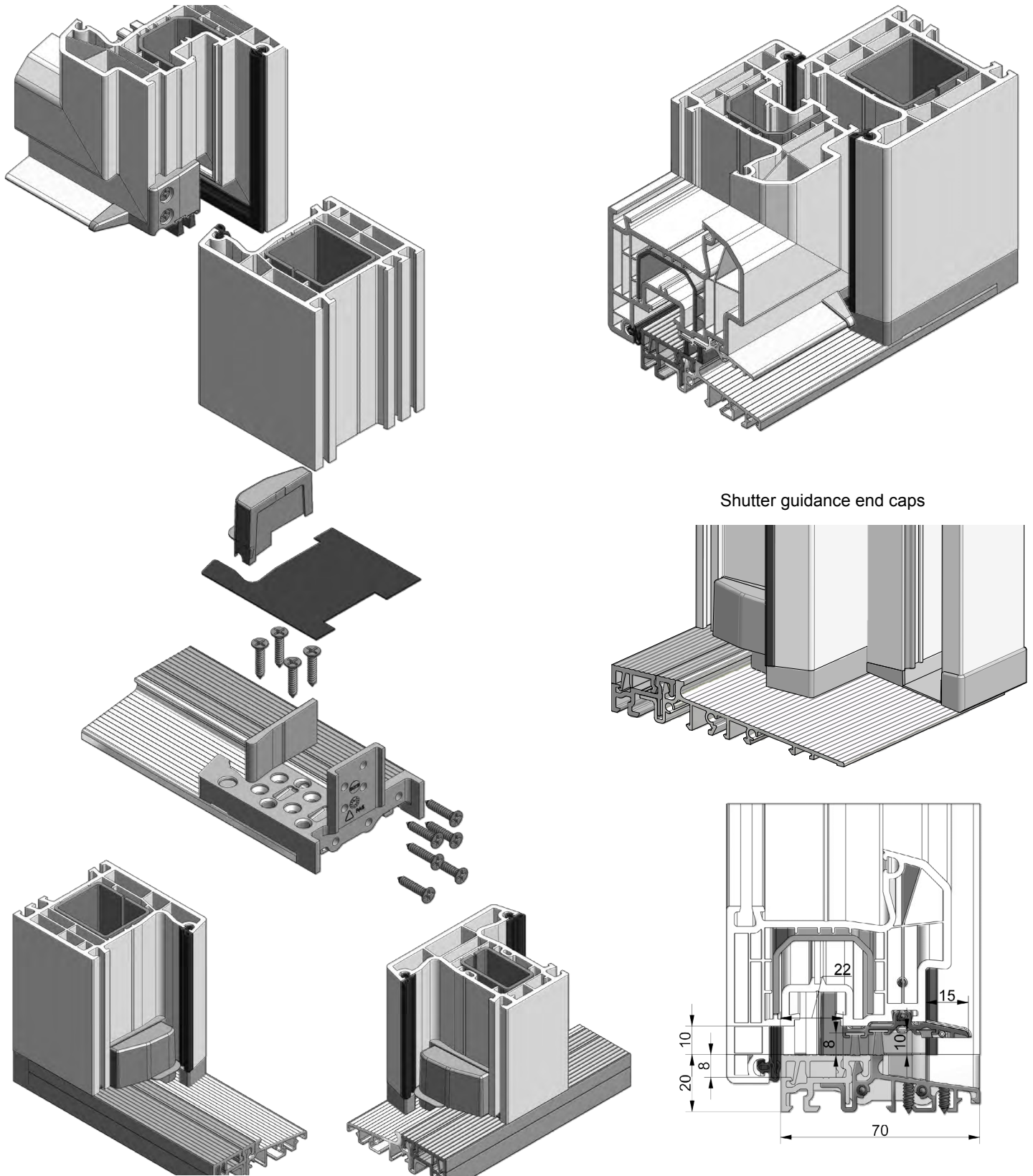


Drainage Longitudinal Hydra Linearis 7x7 mm Stainless steel (V2A)



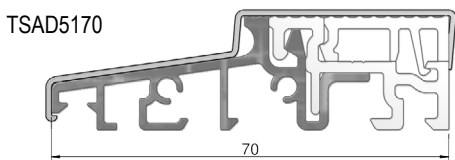
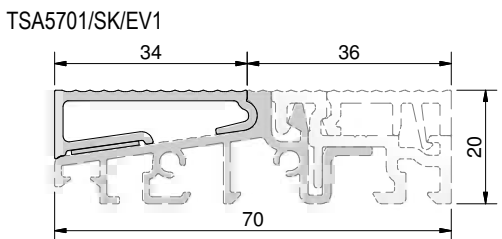
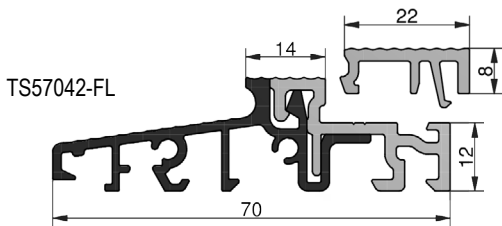
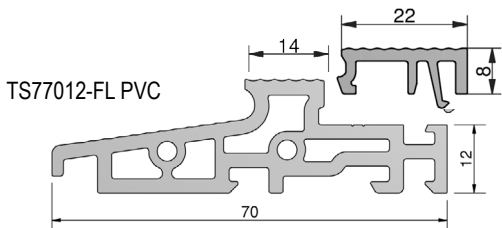
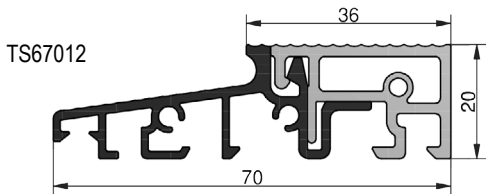
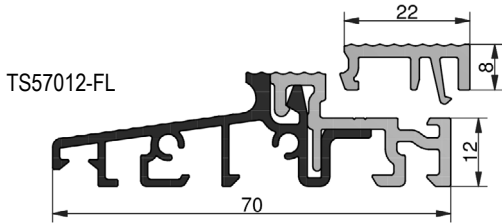
Drainage grate perforated Stainless steel (V2A)

Threshold System COMBI fitting to Ideal 4000 / 5000



Shutter guidance end caps

Threshold System COMBI fitting to Ideal 4000 / 5000



Aluminium PVC Threshold 70mm depth - without thermal bridge, 70x20x4500mm EV1 anodised, PVC grey, Fluted, with protective foil

Article Nr.	Fitting to System	Remarks	Meter
TS57012-FL	Fitting threshold packer: TSUK4135, TSUK5049, TSUK4180, TSUK41130, Köm- merling 0302	for use with shoot bolts	36
TS67012	Fitting threshold packer:. TSUK4135, TSUK5049, TSUK4180, TSUK41130, Köm- merling 0302	not for use with shoot bolts	36

PVC Threshold 70mm depth - without thermal bridge, 70x20x4500mm, PVC grey, Fluted, with protective foil

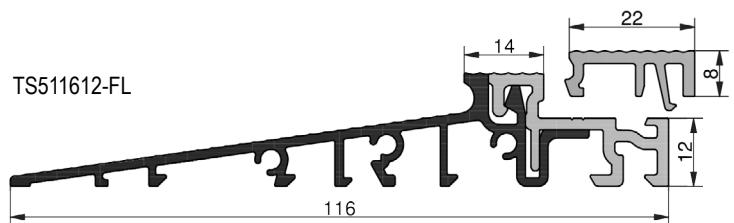
Article Nr.	Unterbauprofile	Comments	Meter
TS77012g-FL PVC	TSUK4135, TSUK4180, TSUK5049 (All versions), TSUK6230/RC, TSUK6265/RC, TSAP...	Threshold (PVC), Inlay loose, upon request	36

Aluminium PVC Threshold 70mm depth - without thermal bridge, 70x20x4500mm EV1 anodised, PVC grey, Fluted, with protective foil

Article Nr.	Fitting to System	Remarks	Meter
TS57042-FL	Fitting threshold packer: TSUK4135, TSUK5049, TSUK4180, TSUK41130, Köm- merling 0997, 0998, 1046, 1272	for use with shoot bolts	36

Aluminium PVC Threshold 116mm depth - without thermal bridge, 116x20x4500mm, EV1 anodised, PVC grey, Fluted, with protective foil

Article Nr.	Fitting to System	Remarks	Meter
TS511612-FL	Fitting threshold packer: TSUK4135, TSUK5049, TSUK4180, Menke 810	for use with shoot bolts	27



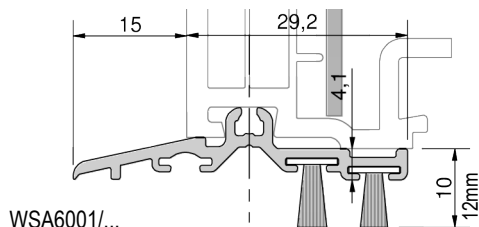
Aluminium adapter profile for outward opening doors

Article Nr.	Fitting to Threshold	Meter
TSA5701/SK/EV1	TS57012, TS67012, TS57042, TS67042, TS57032, TS67032	50

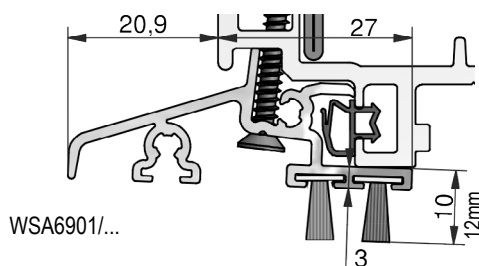
Protective cover for Thresholds, 980mm long, PVC grey

Article Nr.	Fitting to Threshold	Pieces
TSAD5170	all Thresholds in COMBI 70mm	30

Threshold System COMBI fitting to Ideal 4000 / 5000



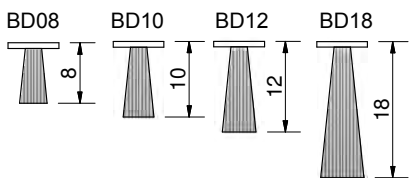
WSA6001/...



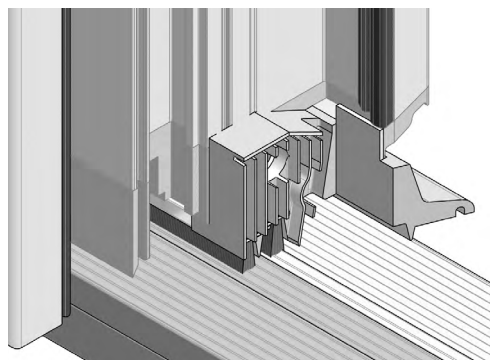
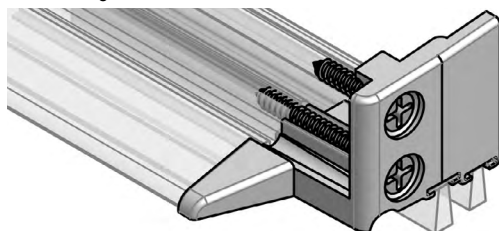
WSA6901/...



TD5015/...



EKW6001g



Weatherside profile, with 2 or optional 3 seals, 1950mm long				
Article Nr.	Colour	Profile	Remarks	Pack/Set
WSA6001/BD08/BD10	EV1 anodised	4000	BT FZL 10mm	25
WSA6001/BD10/BD12	EV1	4000	HT FZL 12mm	25
WSA6901/BD10/BD10	EV1	5000	BT FZL 10mm	25
WSA6901/BD12/BD12	EV1	5000	HT FZL 12mm	25

Please take note: That with Aluplast 4000 we have two different brush piles BD08/BD10 when used in a Balcony door. BD10/BD12 when used in a House door.

Door brush holder, Aluminium for outward opening doors, with one brush pile, 1950mm long			
Article Nr.	Colour	Profile	Pieces
TD5015/...*	EV1	4000, 8000	25

* Please give the required Brush pile for the air gap!

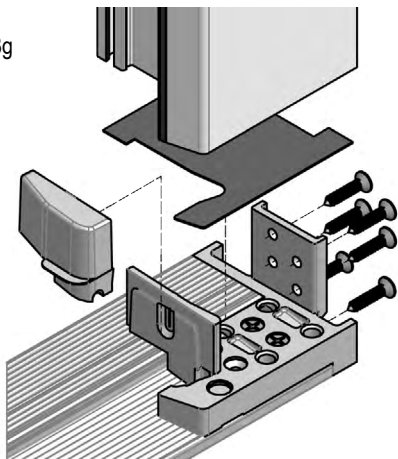
Brush seals, 1100mm long			
Article Nr.	Material	Height	Pieces
BD8	Brush	8mm	100
BD10	Brush	10mm	100
BD12	Brush	12mm	100
BD18	Brush	18mm	100

End cap pairs for weatherside profile				
Article Nr.	Colour	Fitting to	Profile	Pack/Pair
EKW6001	grey	WSA6001/...	4000	50
EKW7420g	grey	WSA6901/...	5000	50

French door end caps (STK...)					
Article Nr.	Colour	Profile	Profile Nr	DIN	Pieces
STK60-140066g/left	grey	4000	140066	left	10
STK60-140066g/right	grey	4000	140066	right	10
STK74-229g/Left	grey	5000	229107, 229063	left	10
STK74-229g/Right	grey	5000	229107, 229063	right	10

Threshold System Combi fitting to Ideal 4000 / 5000

SH60-140003g



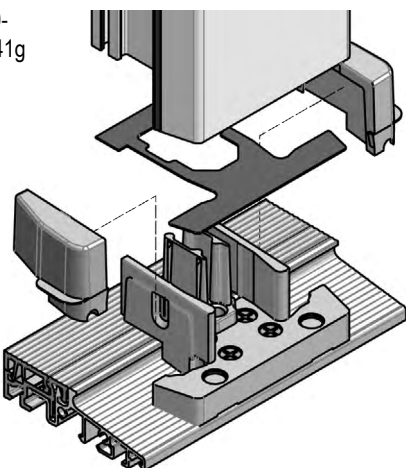
Threshold holder (SH...) made from plastic inc. recess seal block und threshold seal

Article Nr.	colour	Profile	Profile Nr	Width	Pack/pair
SH60-140002g	grey	4000	140002	70mm	20
SH60-140003g	grey	4000	140003	80mm	20

Middle post holder (MH...) made from plastic inc. recess seal block und threshold seal

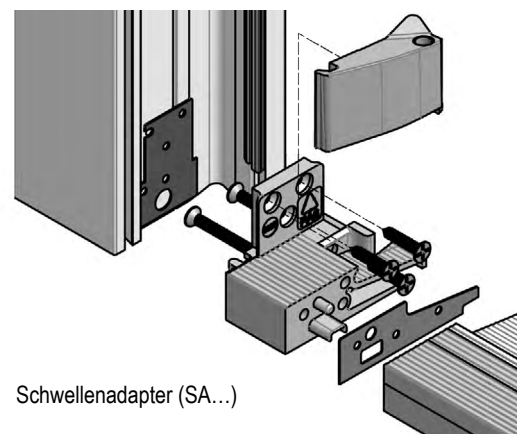
Article Nr.	colour	Profile	Profile Nr	Width	Pieces
MH60-140041g	grey	4000	140041	84mm	20
MH60-140045g	grey	4000	140045	104mm	20

MH60-140041g



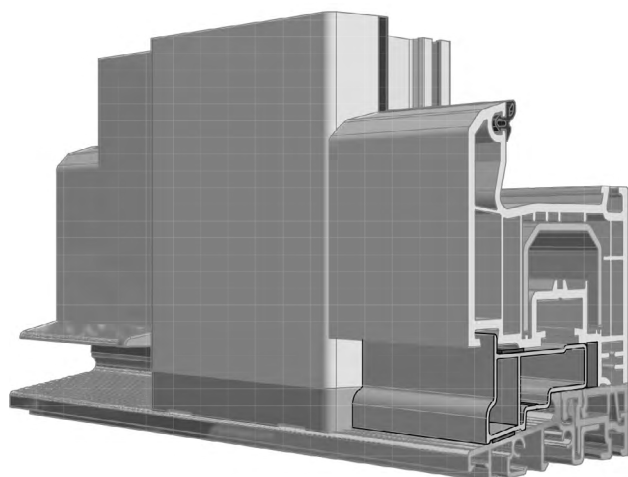
Threshold adapter (SA...) made from plastic inc. recess seal block und threshold seal

Article Nr.	colour	Profile	Pack/pair
SA6001/g	grey	4000	20
SA7410/g	grey	5000	20



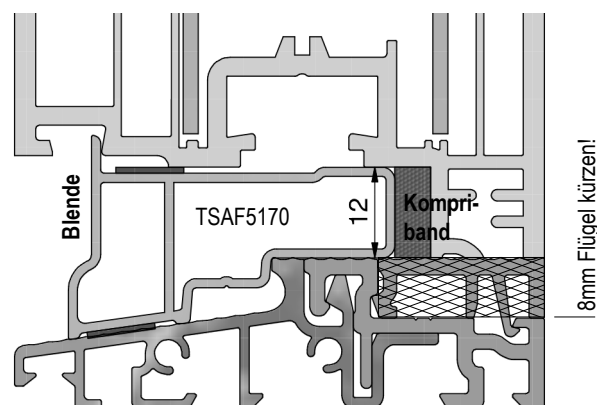
Schwellenadapter (SA...)

TSAF5170

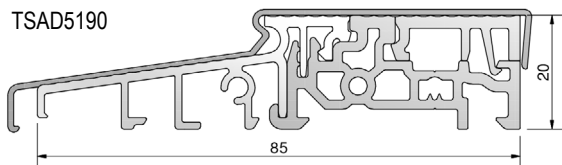
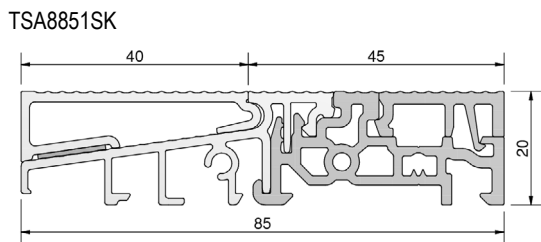
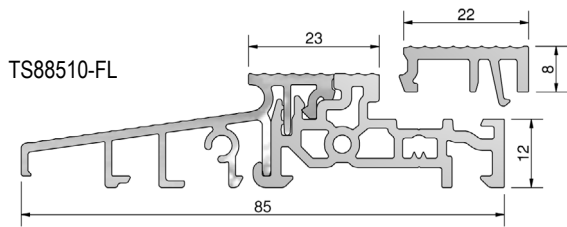


Blende (TSAF...) für Festteile aus Aluminium

Article Nr.	Colour	Profile	Meter
TSAF5170	EV1	4000	50



Threshold System COMBI | COMBI PLUS fitting to Ideal 4000



Nur für BlendFrame 140x00 | Depth 85mm

Aluminium-PVC-Threshold 85mm Depth - without thermal bridge, with strike plate strip, Size: 85x20x4500mm, EV1 Anodised, PVC Grey, fluted with protective foil

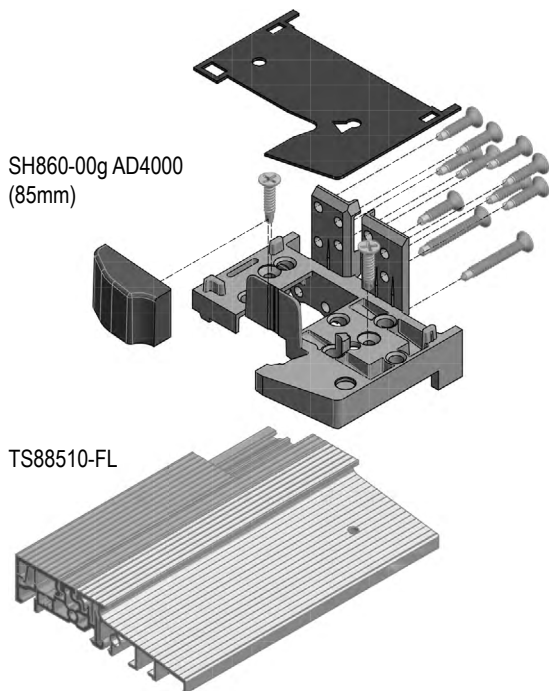
Article Nr.	matching packer:	Comments	Meter
TS88510-FL	TSUK6230/RC, TSUK6265/RC TSUK68-30, TSUK68-100, TSUK68-150, TSUK4135, TSUK4180 TSUK5049 (All versions), TSAP... Aluplast 120... 221/ 223/ 242	Lose strike plate strip	36

Aluminium adapter profile for outward opening doors

Article Nr.	Fitting to Threshold	Colour	Meter
TSA8851SK	TS88510-FL	EV1	45

Protective covering for Threshold, 980mm long, PVC Grey

Article Nr.	Fitting to Threshold	Pieces
TSAD5190	TS88510-FL	30

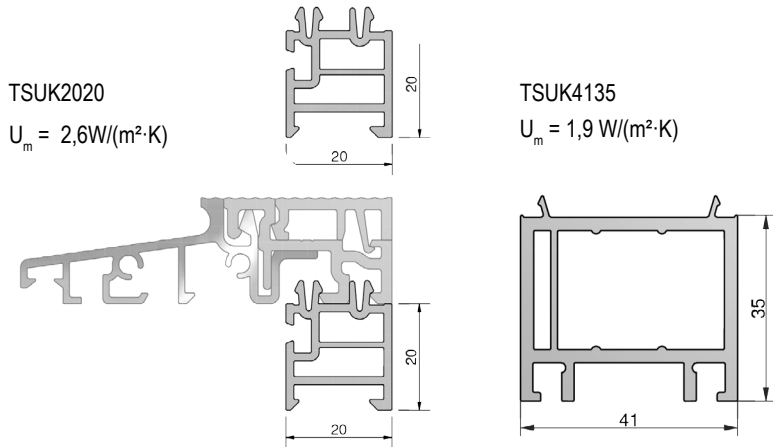


Frame holder (SH...) Plastic, Grey, inc. Recess seal block and threshold seal

Article Nr.	Threshold	Profile	Frame	Width	Pair
SH860-00g AD4000 (85mm)	TS88510-FL	4000 AD	140x00	85x70mm	20



Threshold packers fitting to Threshold Systems COMBI, COMBI PLUS & BASIC



PVC-Threshold packers, clip fitting, 4500mm
Fitting all Thresholds apart from TS57032

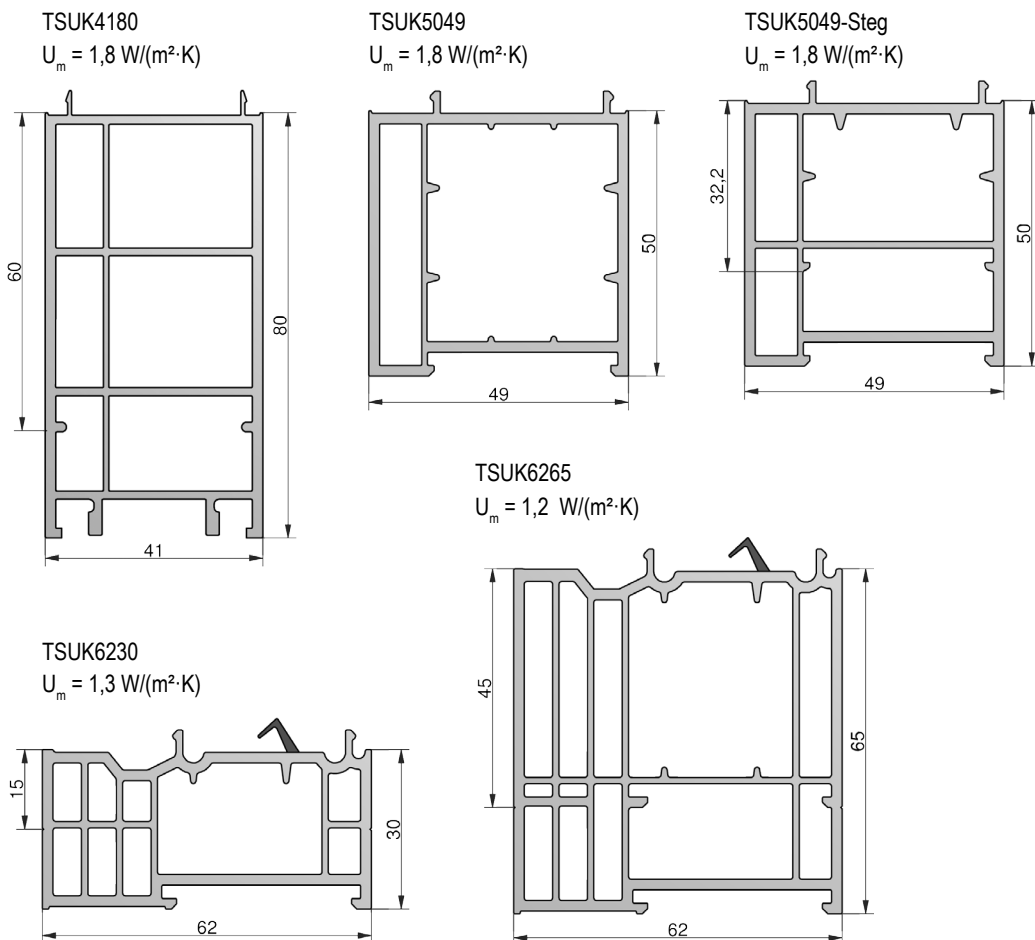
Article Nr.	Colour	Size	Meter
TSUK2020	light grey	20x20mm	45
TSUK4135	light grey	41x35mm	45
TSUK4180	light grey	41x80mm	45
TSUK5049	light grey	49x50mm	45
TSUK5049/Steg	light grey	49x50mm	45
TSUK6230/RC*	grey	62x30mm	36
TSUK6265/RC*	grey	62x65mm	36

*RC = Recycling material grey

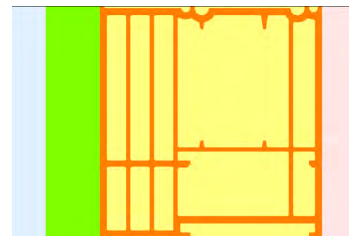
Can also be cut!

The size on the Left of each packer is where the ideal palce is to cut.

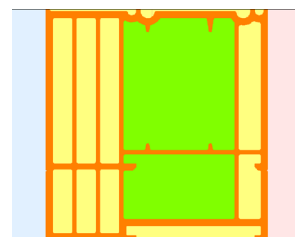
Improved U-Values through insulation:



Example of use:
TSUK6265 with 15mm
Insulation PUR 030
 $U_m = 0,747 \text{ W}/(\text{m}^2 \cdot \text{K})$
Total width: 77mm

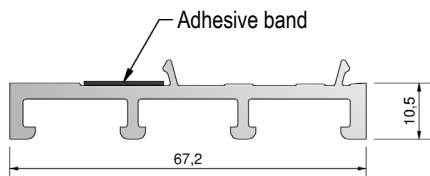


Example of use:
TSUK6265 with 2 foamed
cavities PUR 030
 $U_m = 0,781 \text{ W}/(\text{m}^2 \cdot \text{K})$
Total width: 62mm



U_m = Middle U-Value
further Information
on request!

Threshold packers fitting to Threshold System COMBI & COMBI PLUS



TSAP1067g

Adapter profile (TSAP...) PVC, with adhesive band, Length: 4500mm for Threshold packer TSUK68-30 / TSUK68-100 / TSUK68-150

Article Nr.	Colour	Size	Meter
TSAP1067g	light grey RAL7035	68x10,5mm	45

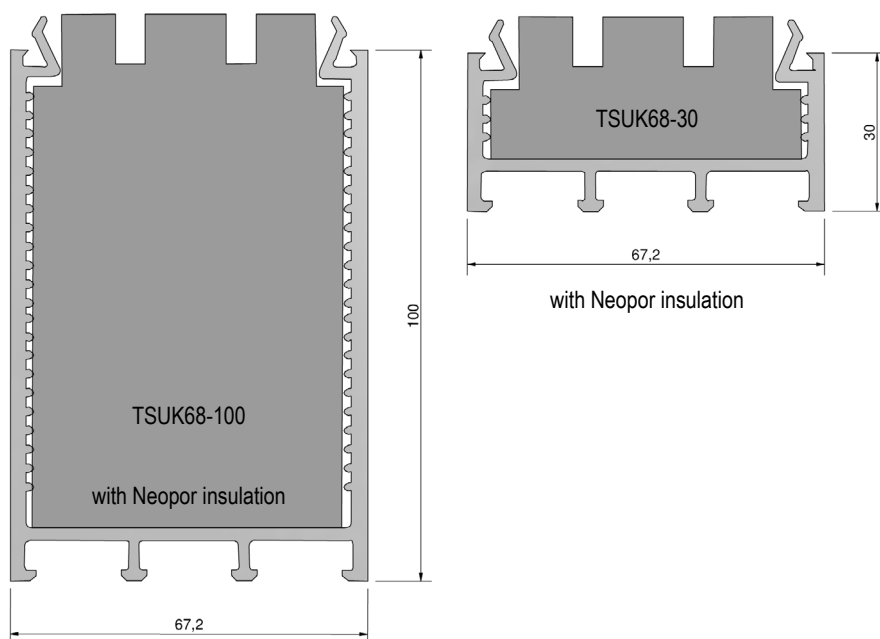
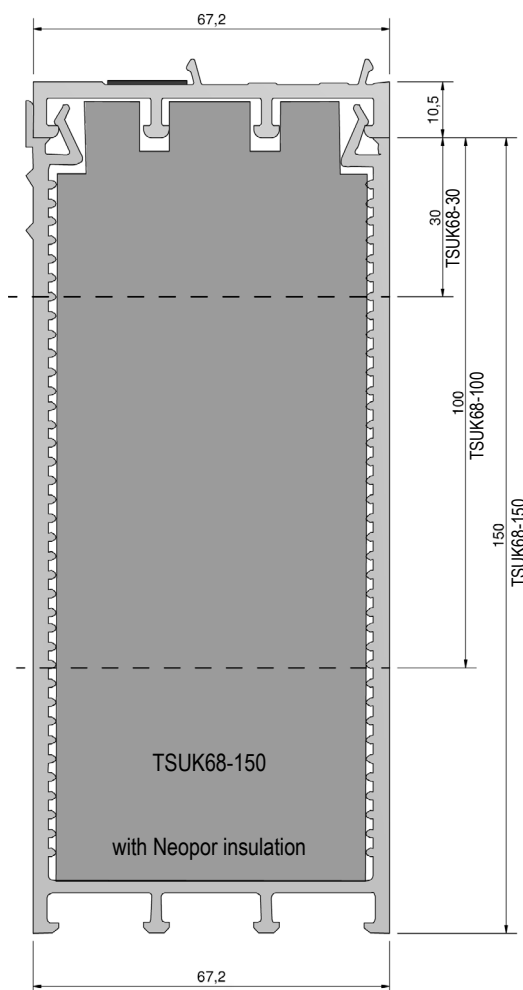
Threshold packer (TSUK68...)* PVC with Neopor insulation center, possible use with passive houses (U-Value < 0,85) Length: 4500mm, Clip fitting with GKG Adapter profile TSAP1067

Article Nr.	Colour	Size	Meter
TSUK68-30	RC Grey**	67,2x30mm	9
TSUK68-100	RC Grey**	67,2x100mm	9
TSUK68-150	RC Grey**	67,2x150mm	9

* only on request and only for use with GKG Adapterprofil TSAP1067!

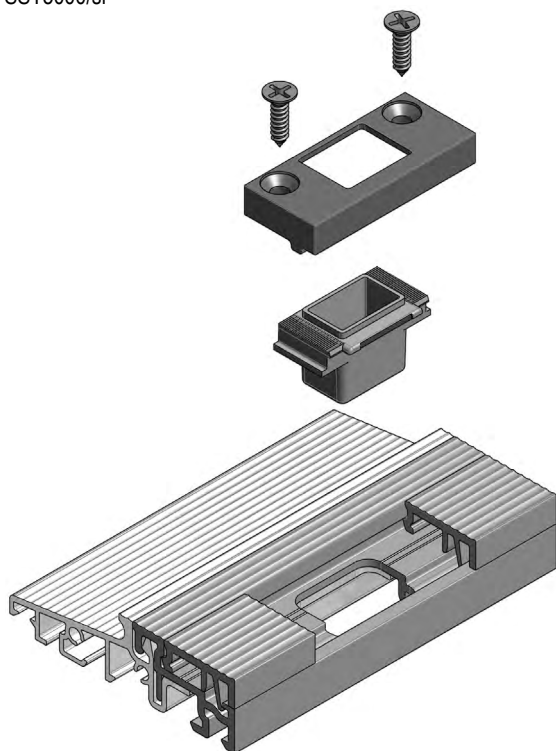
**Recycling material grey with extruded white surface.

TSAP1067g mit TSUK68-150



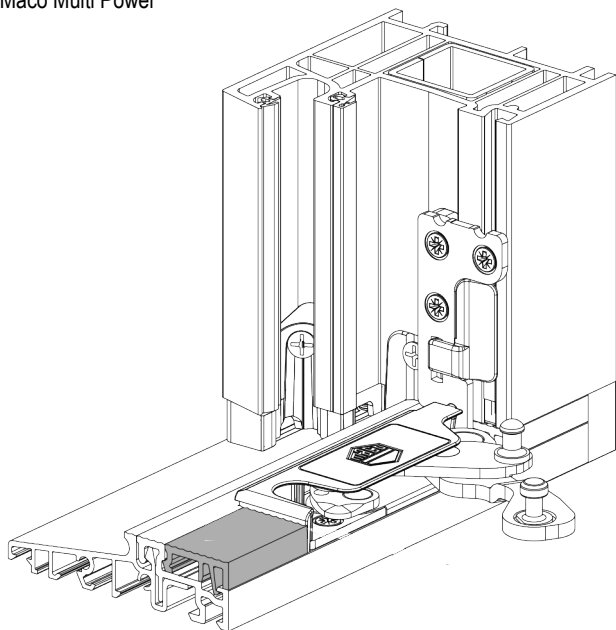
Door fitting accessories for Threshold System COMBI & COMBI PLUS

SST5000/si



GKG Strike plate (SST...) for Shootbolts, 2-piece, adjustable for french doors Fitting to Threshold systems COMBI und COMBI PLUS Right + Left .				
Article Nr.	Colour	Comments	Strike plate strip	Pieces
SST5000/si.	Silver	for shoot bolts up to Ø10mm	22mm	20
SST5012/si.	Silver	for shoot bolts up to Ø12mm	22mm	20
SST502400/si.	Silver	for shoot bolts up to Ø10mm	24mm	20
SST502412/si.	Silver	for shoot bolts up to Ø12mm	24mm	20

Maco Multi Power

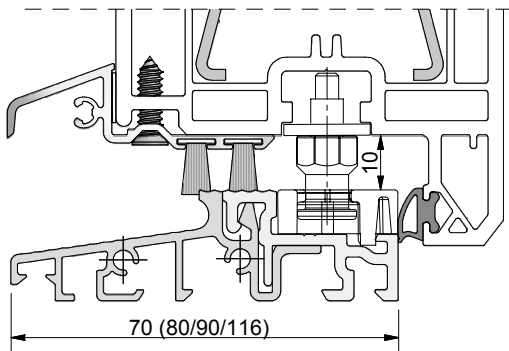
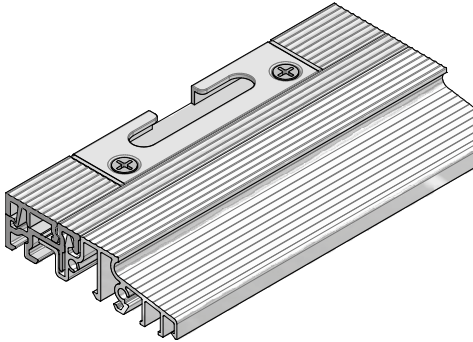


Maco Multi Power, Concealed fittings corner and scissor with hinge Fitting Threshold System COMBI and COMBI PLUS	
Article Nr.	Description
369939	Underlay for GKG-Threshold adaptation COMBI and COMBI Plus (Horizontal)
System-dependent*	Underlay for profile adjustment (Vertical)*
227286	Pivot post Right
227287	Pivot post Left
364498	Cover for pivot post Right
364499	Cover for pivot post Left
215804	Corner support Right
215805	Corner support Left
368390	Attachment for corner support

*Please contact MAYER & CO Beschläge GmbH, Salzburg to check suitability with your profile system. All statements without guarantee.

Door fitting accessories for Threshold System COMBI & COMBI PLUS

Threshold COMBI with thermally separated strike plate strip for use with door fittings:



Maco	
Scissor stay	368056 (Right+Left) 367270 Tilt first (Right) 367271 Tilt first (Left)
Multi-Matic	209882 centre lock extendable MM 1280V 209883 centre lock extendable MM 1500V 209881 corner element MM for threshold
Multi-Trend	210111 Center lock extendable 125mm 210112 Center lock extendable 528mm 210113 Center lock extendable 828mm

All statements without guarantee.

Roto		
Scissor stay hinge	ST. Bodenschwelle MFT BA13	Nr. 490941
Scissor stay hinge	SET KIPPL K ST+ULAG BS BKV82 TB RAL7035	Nr. 622540 (light grey)
Scissor stay hinge	SET KIPPL. K. ST+ULAG BS BKV 82 TB R06.2	Nr. 622539 (black)
Corner element	ECUML.DK.1V-VERLÄNGERT NT	Nr. 566650
Corner element	ECUML.1V-VERLÄNGERT NT	Nr. 614456
Center lock	MV400 1V-VERLÄNGERT NT	Nr. 566651
Center lock	MV200 1V-VERLÄNGERT KB NT	Nr. 618552
Center lock	MV600 1V-VERLÄNGERT KB NT	Nr. 618553
Center lock	MV400 1V-VERLÄNGERT KB NT	Nr. 618554
Extended Jams	V-Zapfen verlängert mit 6 Kant	Nr. 487398

All statements without guarantee.

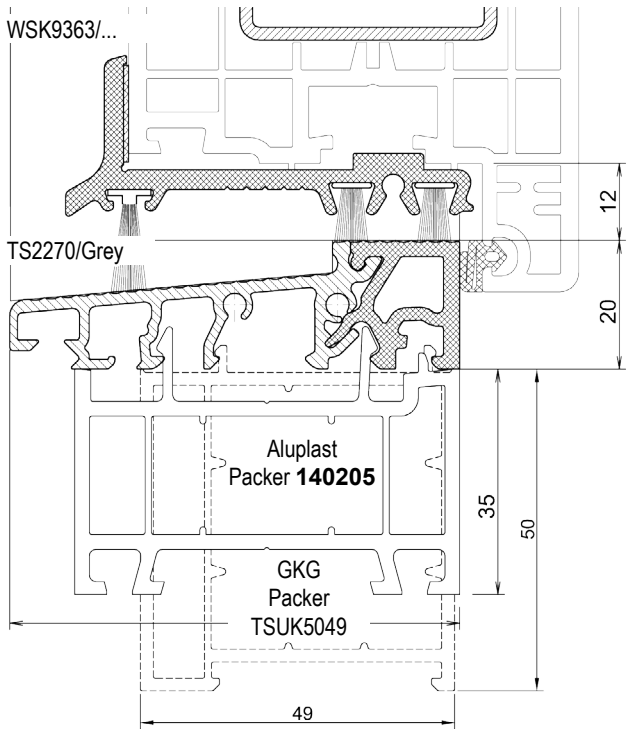
Siegenia/Aubi		
Scissor stay hinge	SL-S FH A3520 TS	FRKU 0070-100010
Verriegelung	VSU/K 1S A0273 TS	TEVR1380-100011
Extension piece	US Gr.1 1S A0273 TS	TZUS1090-100011
Corner element	VSU S-ES FH 13mm A0273 TS	FEUL1230-100010
Center lock	Gr.50 S-ES TS	FVZL0080-100010

All statements without guarantee.

Winkhaus		
Scissor stay	SBK.K.10.BS	Nr. 2920450
Corner element	E1.BS	Nr. 4926330
Center lock	MK.500-1.BS	Nr.4926332

All statements without guarantee.

Threshold System „Basic“ fitting to Ideal 4000



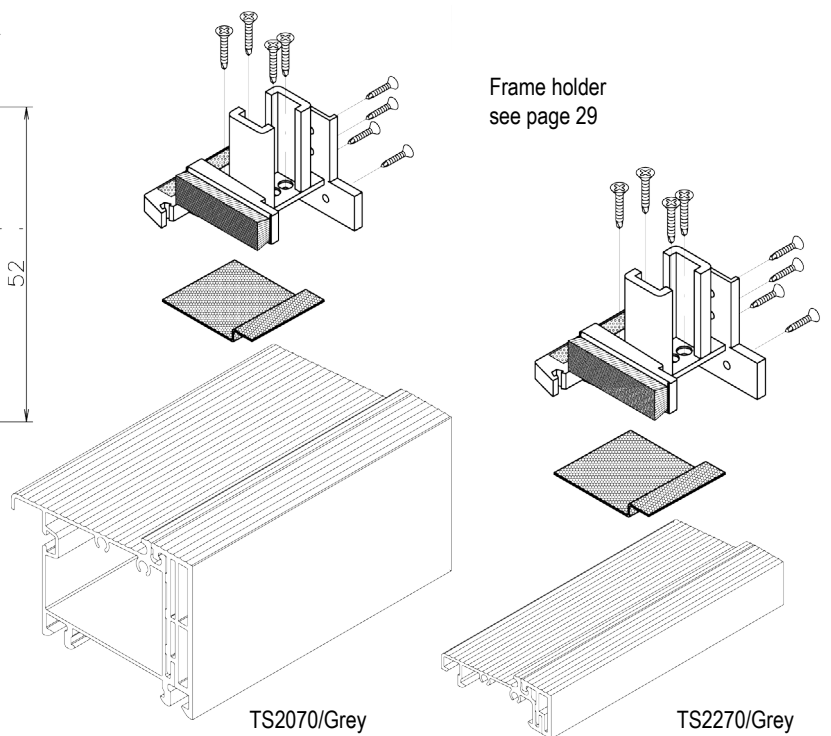
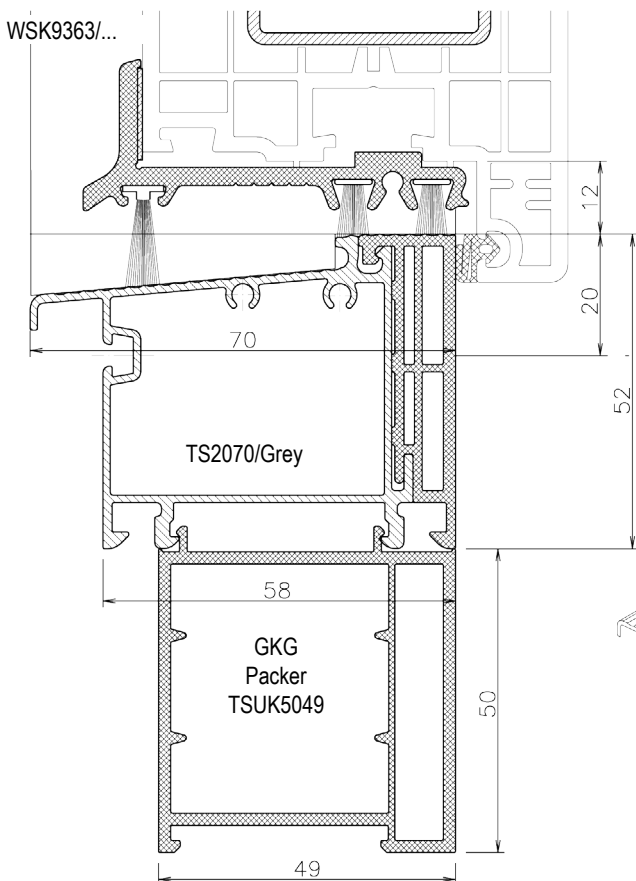
Aluminium-Thresholdn EV1 Anodised / PVC Grey with protective foil Depth 70mm, fluted, 4500mm long			
Article Nr.	matching packer	Size	Meter
TS2270/Grey	TSUK4135, TSUK5049, TSUK4180, TSUK41130 Aluplast 120242	70x20mm	45

Aluminium-Thresholdn EV1 Anodised / PVC Grey with protective foil Depth 70mm, fluted, 4500mm long			
Article Nr.	matching packer	Size	Meter
TS2070/Grey	TSUK4135, TSUK5049, TSUK4180	70x52mm	27

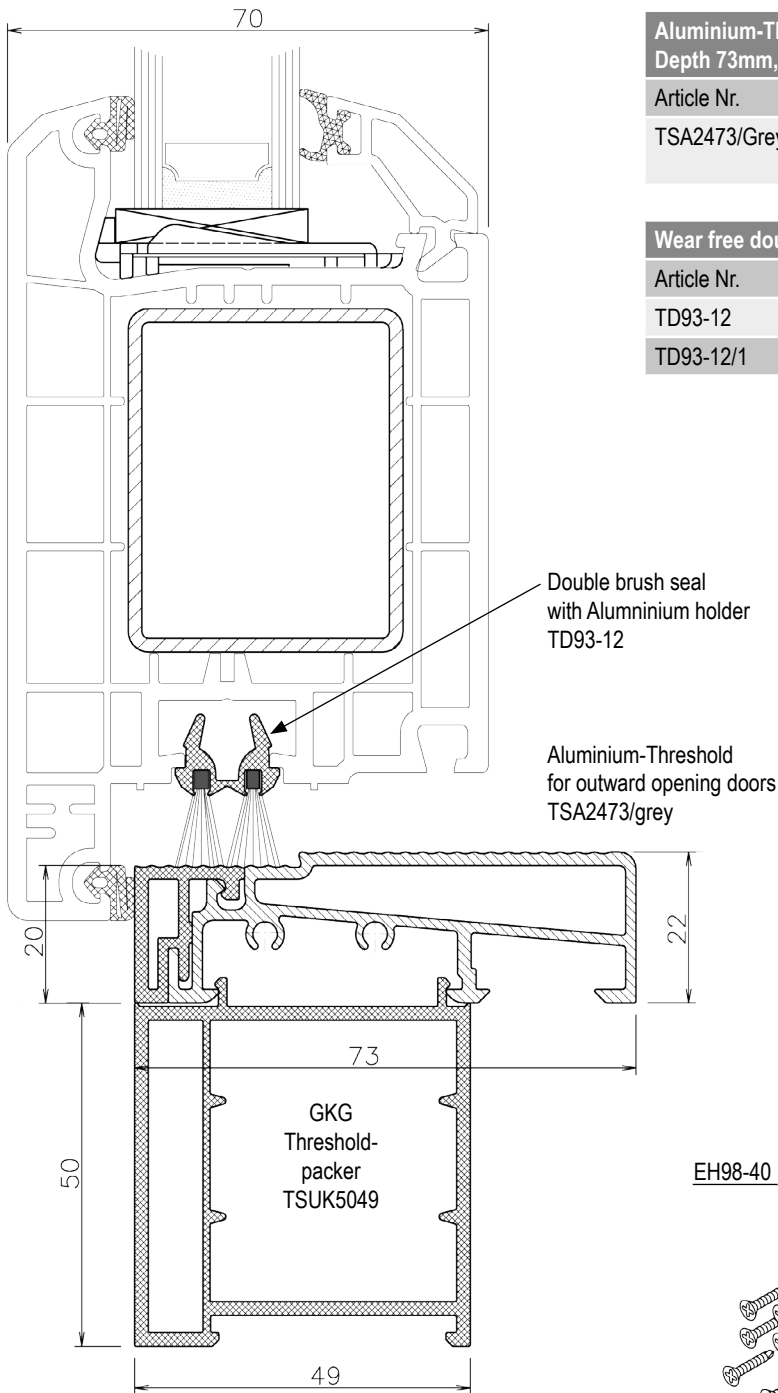
Available upon request

PVC-Weatherside profile, self adhesive with 2 pre mounted brush pile, 1100mm long				
Article Nr.	Colour	Width	Renolit/RAL	Pieces
WSK9363/9016	White	63mm	9016	25
WSK9363/Silver	Silver	63mm	9006	25
WSK9363/851805*	Black brown	63mm	851805	25

Available upon request



Threshold System „Basic“ fitting to Ideal 4000

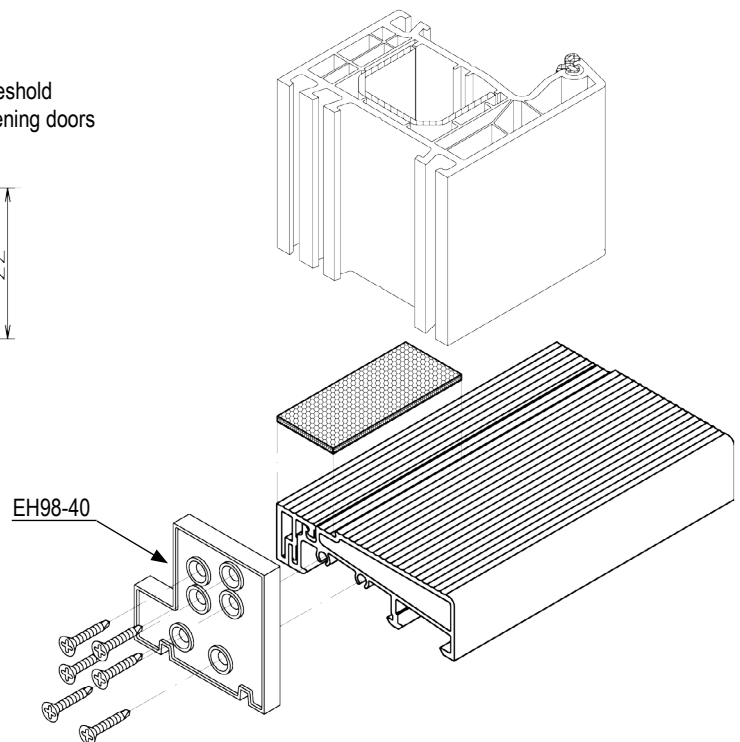


Aluminium-Threshold EV1 Anodised / PVC Grey - Outward opening
Depth 73mm, 4500mm long

Article Nr.	Matching packer	Size	Meter
TSA2473/Grey	TSUK4135, TSUK5049, TSUK4180	73x22mm	45

Wear free double brush seal with Aluminium holder, 1100mm long

Article Nr.	Colour	Comments	Pieces
TD93-12	roh	with 2 Brush seals	50
TD93-12/1	roh	with 1 Brush	50

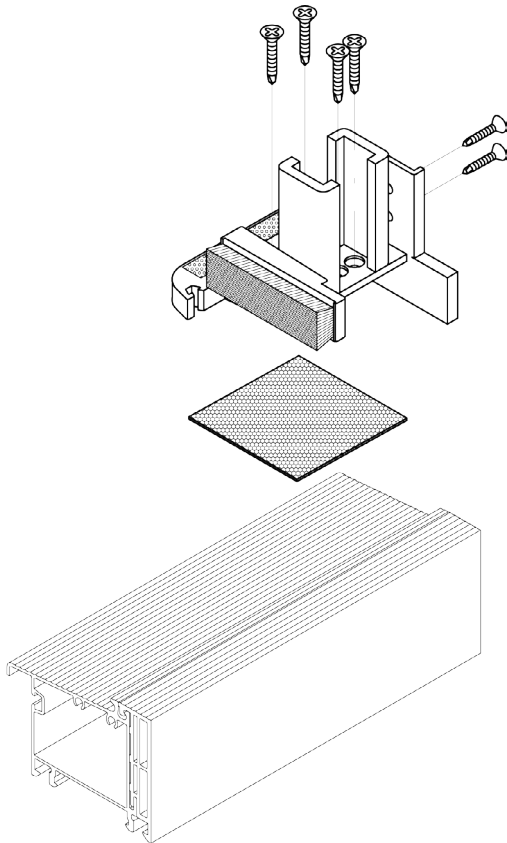


Endhalter (EH...) Die casted Zinc for outward opening doors and milled frames

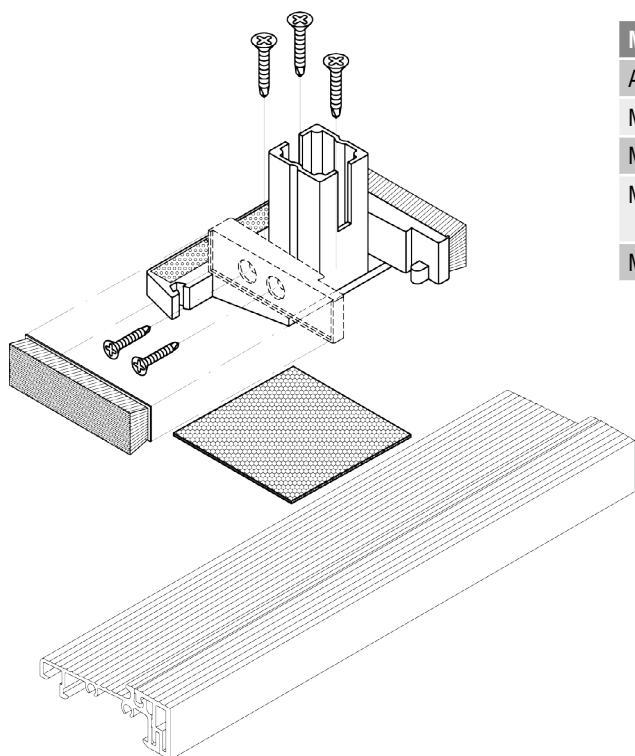
Article Nr.	Colour	Profile	Pair
EH98-40*	roh	4000	50

* upon request

Threshold System „Basic“ fitting to Ideal 4000

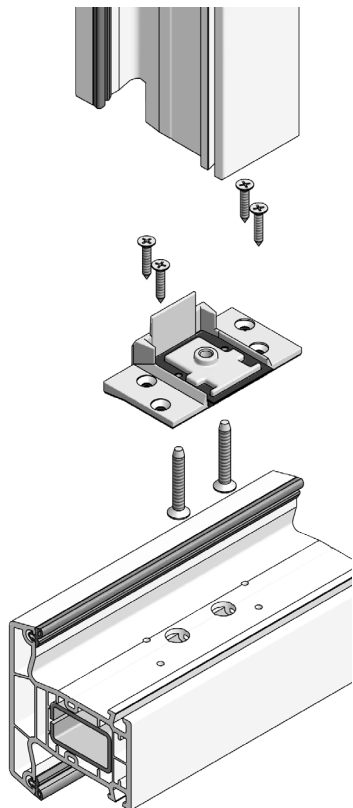


Threshold holder (SH...) made from plastic					
Article Nr.	Colour	Profile	Profile	Width	Pack/Pair
SH94-002g/g	grey	4000	140 002	70mm	20
SH94-003g/g	grey	4000	140 003	80mm	20
SH95-402g/g	grey	2000	140 002	70mm	20
SH95-403g/g	grey	2000	140 003	80mm	20



Middle post holder (MH...) made from plastic					
Article Nr.	Colour	Profile	Profile	Width	Pieces
MH94-041g/g	grey	4000	140 041	84mm	20
MH94-045g/g	grey	4000	140 045	104mm	20
MH95-441g/g	grey	2000	120 041 120 042	80mm	20
MH95-443g/g	grey	2000	140 043	100	20

Transom and Mullion connectors fitting to Ideal 4000/5000/6000

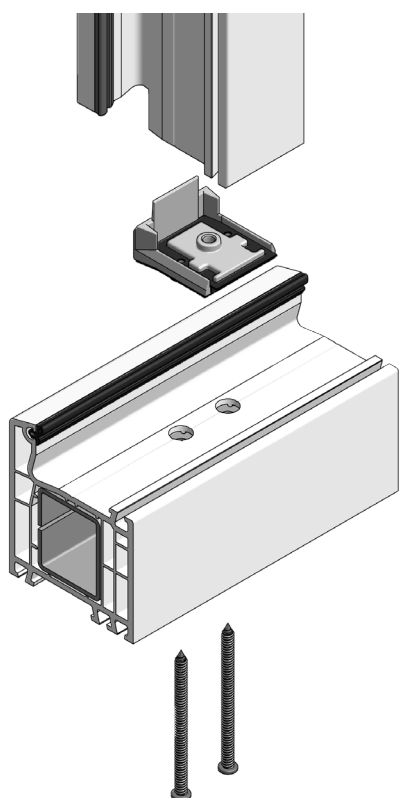


Transom connector (T...), Mullion connector (K...) out of die casted zinc with pre mounted seals with or without fixing knuckle (../Fix) without screws, also to be used in Sash profiles (84mm) Ideal 5000/6000						
Article Nr.	Colour	Profile	Profile Nr	Width	Remarks	Pieces
K140041/si.	silver	4000	140041, 140044, 140048	84mm		100
K140041/si./Fix.	silver	4000	140041, 140044, 140048	84mm	with knuckle	100
T140041/si.	silver	4000	140041, 140044, 140048	84mm	Transom connector	100
T140041/si./Fix.	silver	4000	140041, 140044, 140048	84mm	Transom connector with knuckle	100

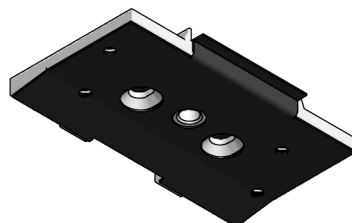
Can also be used in Sash profiles (84mm) Ideal 5000/6000.

Special versions / accessories:

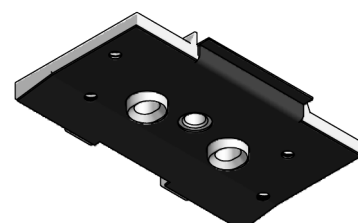
- with M6 thread
- Drilling stencil
- HM Milling head upon request



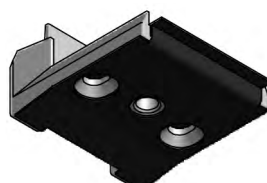
K140041/si.



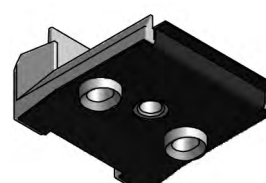
K140041/si./Fix.



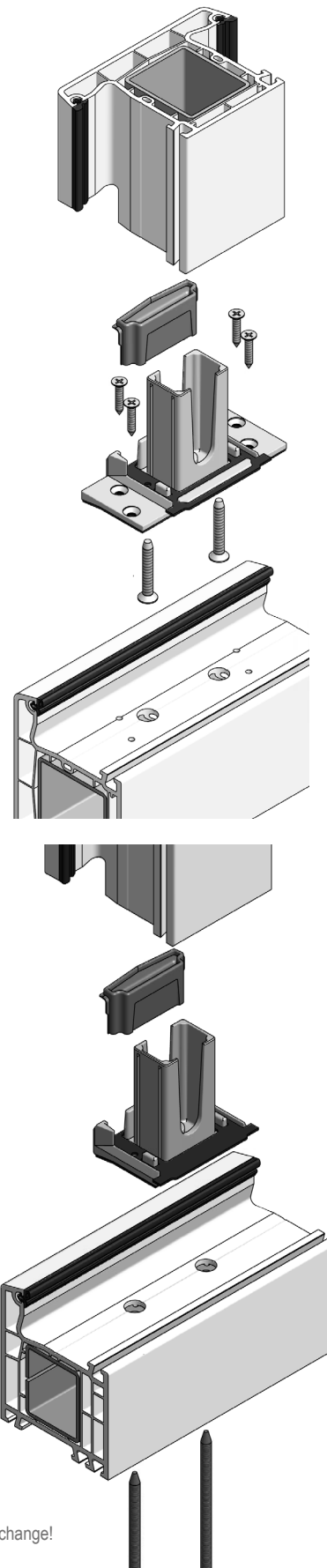
T140041/si.



T140041/si./Fix.



Transom and Mullion connectors fitting to Ideal 4000/5000/6000



Transom connector (T...), Mullion connector (K...) out of die casted zinc with pre mounted seals with or without fixing knuckle (.../Fix) without screws, also to be used in Sash profiles (104mm) Ideal 5000/6000

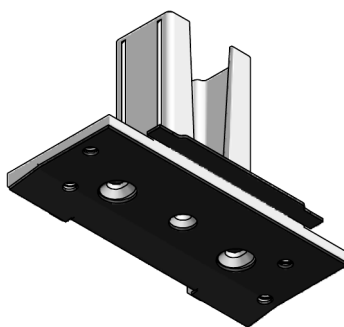
Article Nr.	Colour	Profile	Profile Nr	Width	Remarks	Pieces
K140045/si.	silver	4000	140045	104mm		50
K140045/si./Fix.	silver	4000	140045	104mm	with knuckle	50
T140045/si.	silver	4000	140045	104mm	Transom connector	50
T140045/si./Fix.	silver	4000	140045	104mm	Transom connector with knuckle	50

Can also be used in Sash profiles (104mm) Ideal 5000/6000.

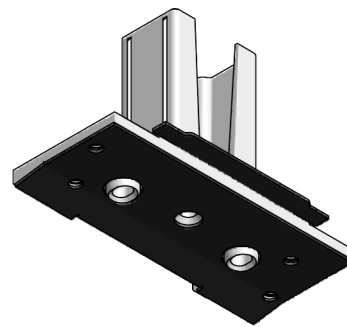
Special versions / Accessories:

- with M6 Thread
- Drilling stencil
- HM Milling head upon request

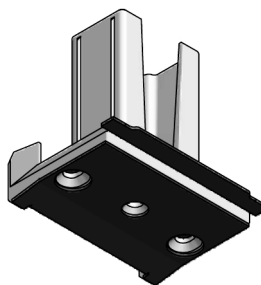
K140045/si.



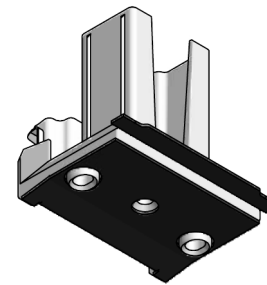
K140045/si./Fix.



T140045/si.



T140045/si./Fix.



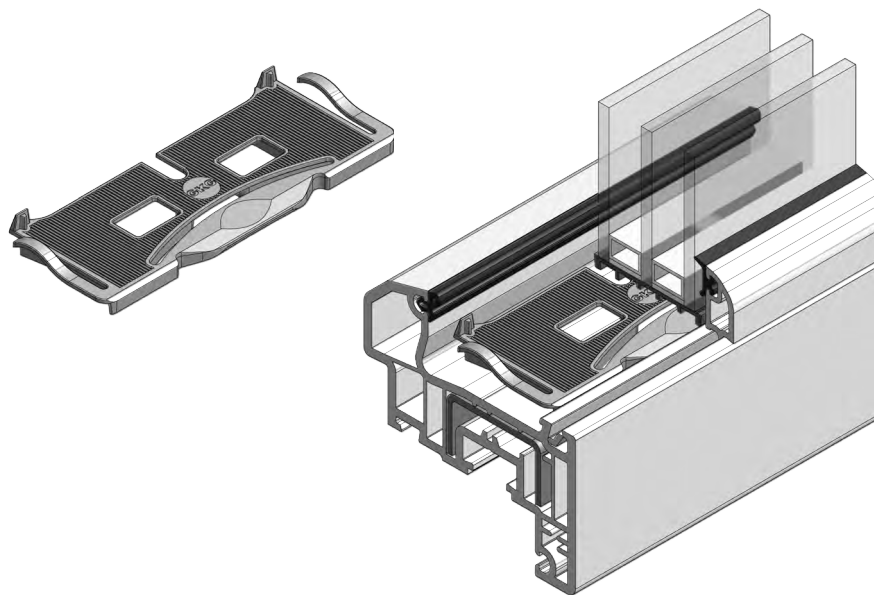
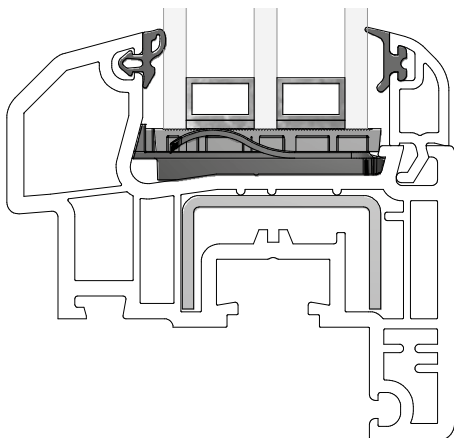
Glass bridges fitting to Ideal 4000/5000/6000

Glass bridges made from PP			
Article Nr.	Fitting profile System	Remarks	Pieces
GF5005	4000, 5000, 6000	new Version	1.000
GF8537	4000, 5000, 6000	alternatively to GF5005	500
GF9041	4000, 5000, 6000	Increased height of 4,5mm	500

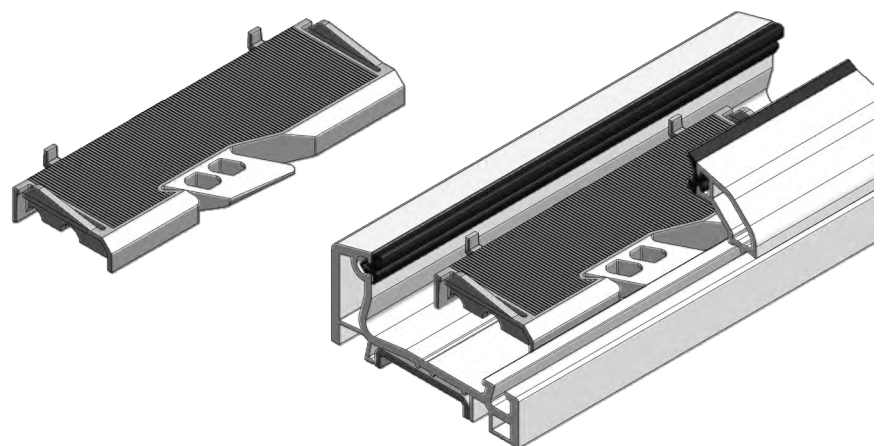
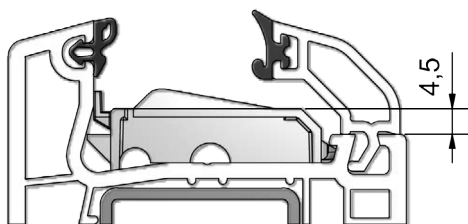
Reliable glass packer installation with out the need to glue. The compatability of Polypropylene (PP) to glass sealents is gauranteed.

For the production of our glass bridges and glass packers we use exclusively Polypropylene (PP). This material contains no elasticizers and has a very good chemical resistance to the different sealents used such as Butyl or Polyisobutylen in between the glass panes. In the futher event of futher uncertainties regarding Polypropylene please refer to your glass supplierabout the sealents used and the compatability with Polypropylene.

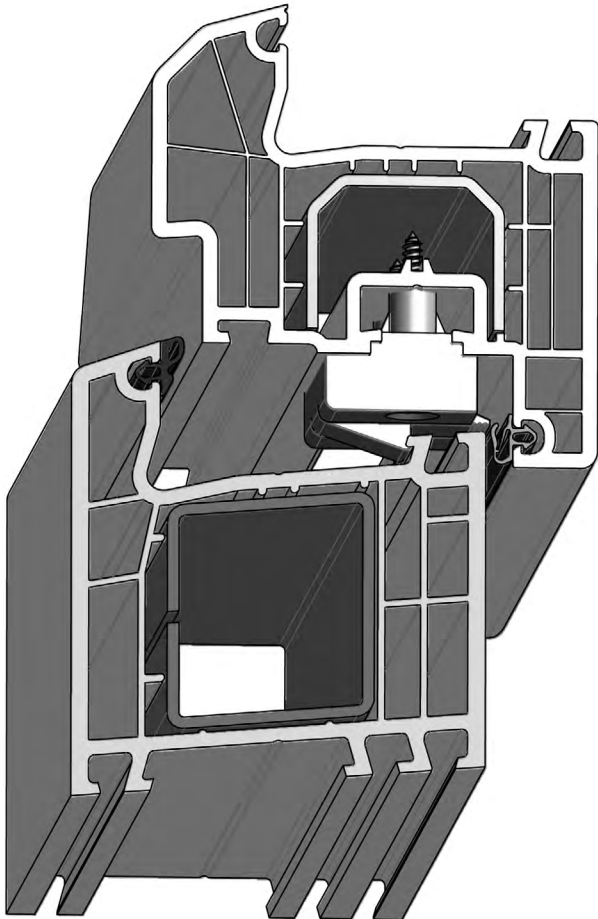
GF5005
Up to 36mm Glass thickness



GF9041
Increased height of 4,5mm
with integrated glass packer

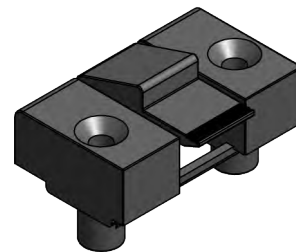


Dummy Sash clip fitting to Ideal 2000/4000



Dummy sash clips		
Article Nr.	Fitting profile system	Pieces
FC1540	2000	100
FC1541	4000, 7000, 8000	100

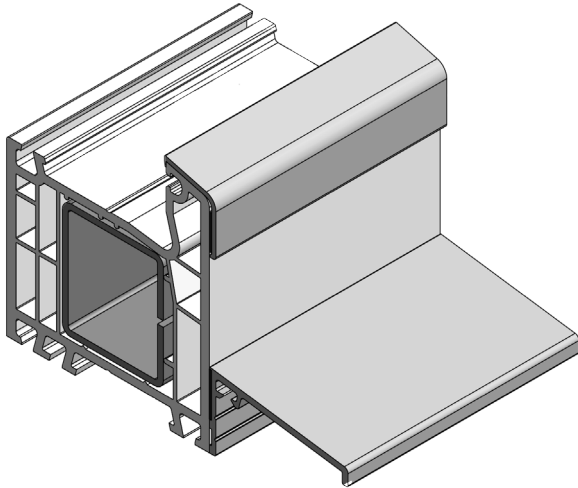
- Sash installation with out screwing into the framework.
- Quick and easy removal of the sash.



ATTENTION:

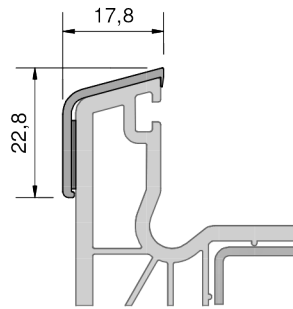
- Minimum of 2 clips in the verticle and 2 clips in the horizontal to be used with a spacing of 400mm and 120mm from the corners!
- When window elements are transported, a seperate support of the window leaves is to be used!
- The spacing between the frame and the sash must not be more that 12mm!
- The glass pane has to supported by a bridge/Packer at every point of a dummy sash clip!
- Frame and Sash are to be joined on both sides with screws and max. distance from the clip is 50mm!
- The dummy Sash clip gives no gaurantee against burglary!
- Test that the Sash is tight!

Step protection / Weatherside profile

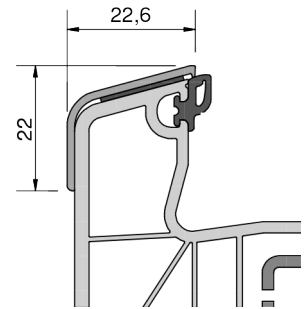


Aluminium Step protection, EV1 anodised with self adhesive band			
Article Nr.	Colour	Fitting to profile	Meter
TR1823SK	EV1	2000, 4000	150
TR2322SK*	EV1	7000, 8000	150

* upon request



TR1823SK



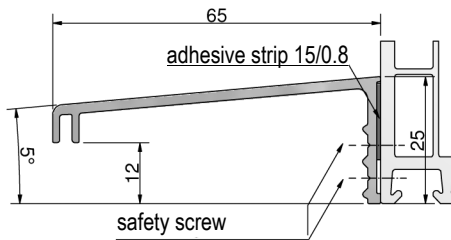
TR2322SK

Aluminium weather side profile, EV1 anodised, universal with self adhesive strip and protective foil, grade 5°			
Article Nr.	Colour	Size: L x W x H (mm)	Meter
WS6525SK/SF-5	EV1	5000 x 65 x 25,0	50
WS9525SK/SF-5*	EV1	5000 x 95 x 25,0	50
WS11525SK/SF-5*	EV1	5000 x 115 x 25,0	50

* upon request

Aluminium weather side profile, EV1 anodised, universal with self adhesive strip and protective foil, grade 6°			
Article Nr.	Colour	Size: L x W x H (mm)	Meter
WS4125-6/SK/SF	EV1	5000 x 41 x 22,0	50
WS10422-6/SK/SF	EV1	5000 x 104 x 22,0	50

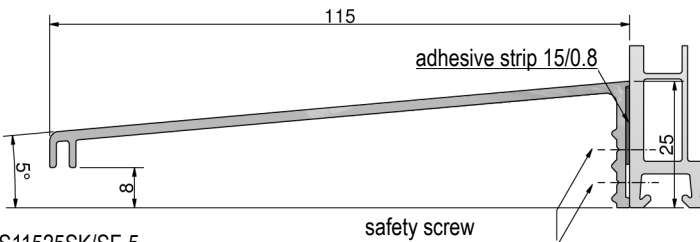
WS6525SK/SF-5



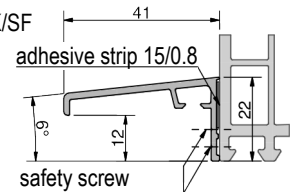
WS9525SK/SF-5



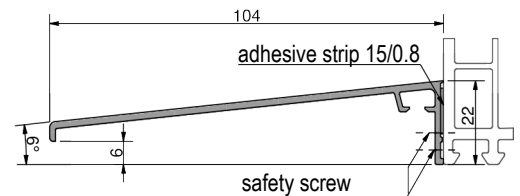
WS11525SK/SF-5



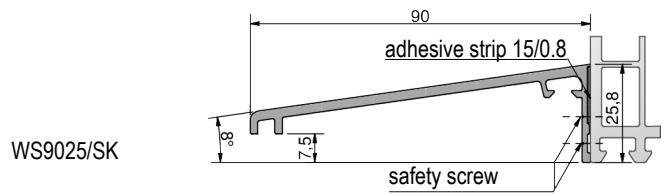
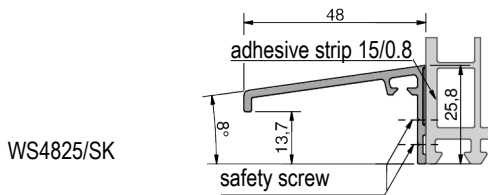
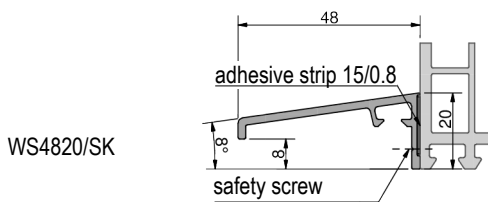
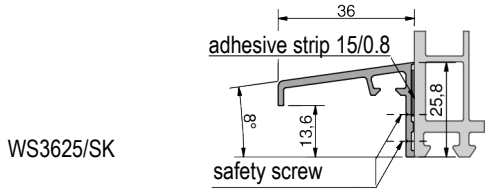
WS4125-6/SK/SF



WS10422-6/SK/SF



Step protection / Weatherside profile



Aluminium weather side profile, EV1 anodised, universal with self adhesive strip, grade 8°

Article Nr.	Colour	Size: L x W x H (mm)	Meter
WS3625/SK*	EV1	5000 x 36 x 25,8	50
WS4820/SK	EV1	5000 x 48 x 20,0	50
WS4825/SK	EV1	5000 x 48 x 25,8	50
WS9025/SK	EV1	5000 x 90 x 25,8	50

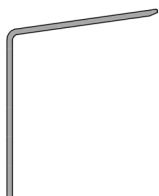
* upon request

Aluminium weather side profile, EV1 anodised with self adhesive strip, 2 part

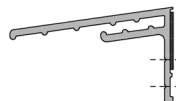
Article Nr.	Colour	Size: L x W x H (mm)	Meter
WSA4842-2SK/EV1*	EV1	5000 x 43 x 25,0	50
WSA4842-1/EV1*	EV1		50

* upon request

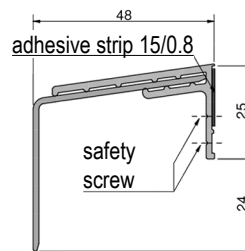
WSA4842-1/EV1



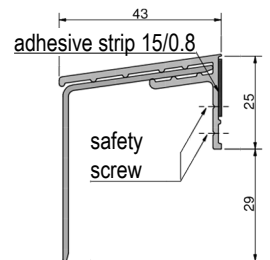
WSA4842-2SK/EV1



Variante 1



Variante 2



Weldable corner joint „SVX“ fitting to door reinforcement

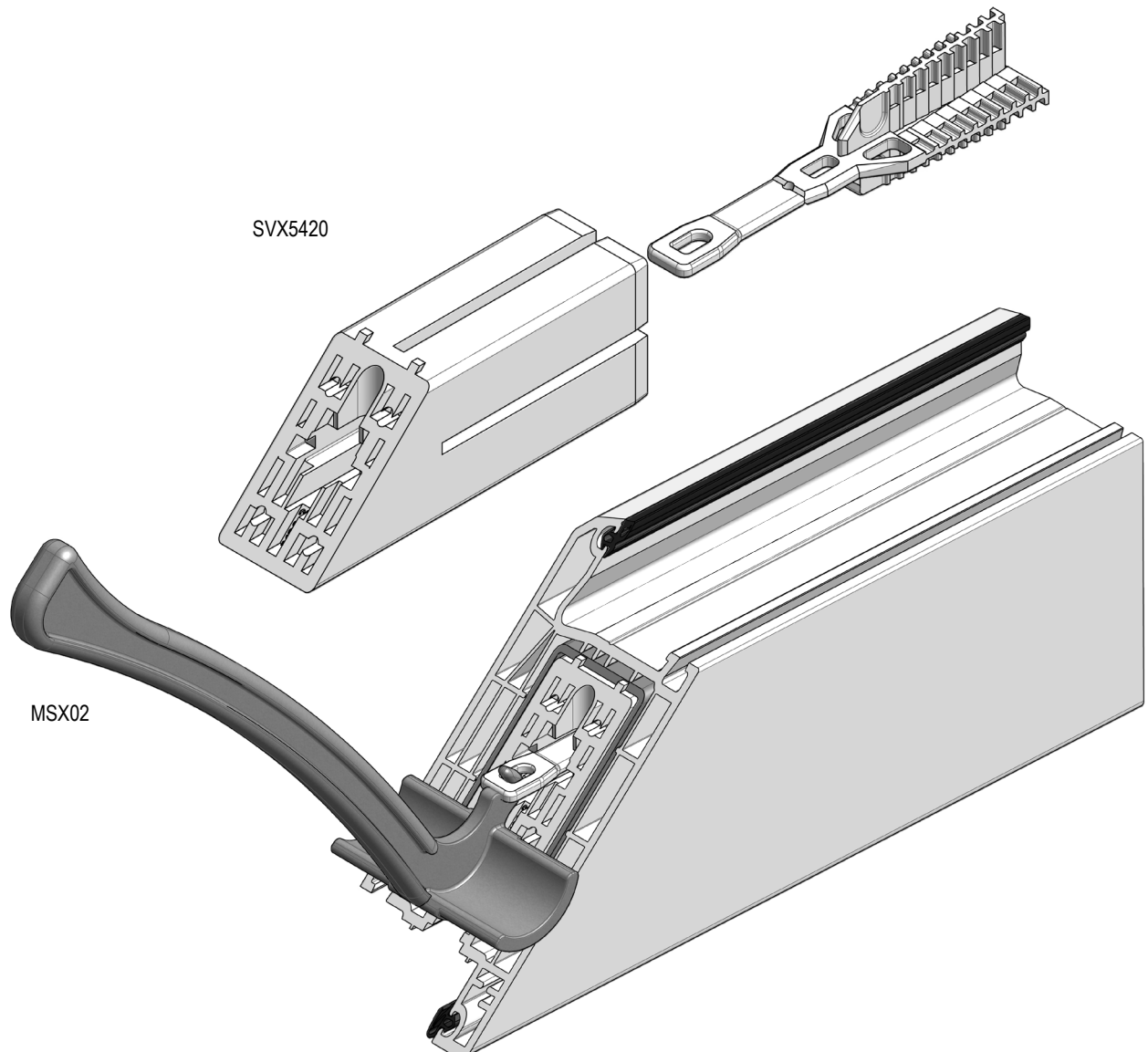
Weldable Corner joint „SVX“ (Pat. 10109718C1)

- Very quick and easy installation.
- Braced on all sides inside the steel.
- High torsion strength.
- Increase in the general strength of the corners.
- Vibration free function of the door corners with „SVX“.
- Reduction of the stagnation pressure once the melting time is over.
- Exact holding of the given standard times.
- Asymmetrical arrangement of the welding surface.
- Mounting lever.

Weldable corner joint „SVX“ with four sided bracing (1 set = 8 pieces)			
Article Nr.	Fitting to steel	Steel	Pack/set
SVX4420*	40 x 40 x 2mm	ST4400...	6
SVX5420	50 x 40 x 2mm	ST5400...	6
SVX5430/3mm	50 x 40 x 3mm	ST50403..	7

* upon request

Installation lever specific for „SVX“		
Article Nr.		Pieces
MSX02	Fitting to all above mentioned „SVX“	1



Grundmeier KG

Bartholomäusweg 1

D-33334 Gütersloh

Telefon: 0 52 41 / 94 48 - 0

Telefax: 0 52 41 / 94 48 - 48

E-Mail: info@grundmeierkg.de

www.grundmeierkg.de

