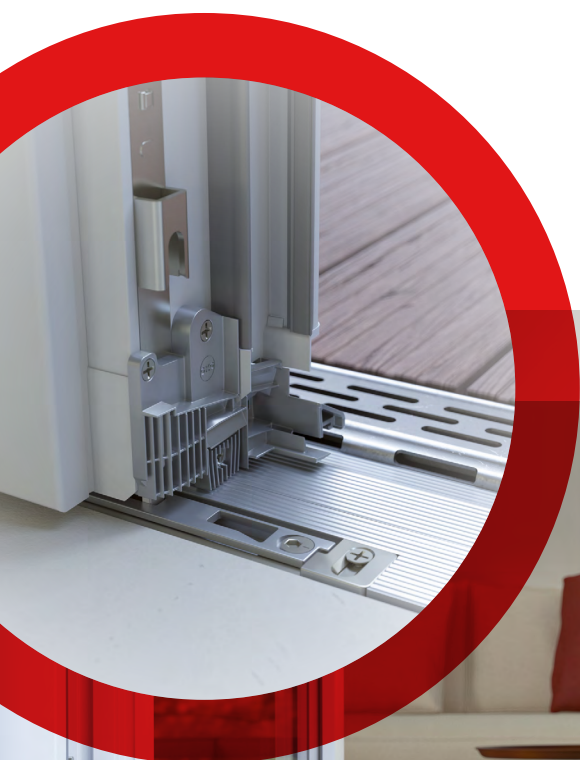


Window and Door technology



Components fitting to

BRÜGMANN | SALAMANDER





Grundmeier KG
Bartholomäusweg 1
33334 Gütersloh
Germany
Tel: + 49 (0) 52 41 / 94 48 -0
Fax: + 49 (0) 52 41 / 94 48 -48
info@grundmeierkg.de

www.grundmeierkg.de

Minor quantities and special
versions completed with surcharge.

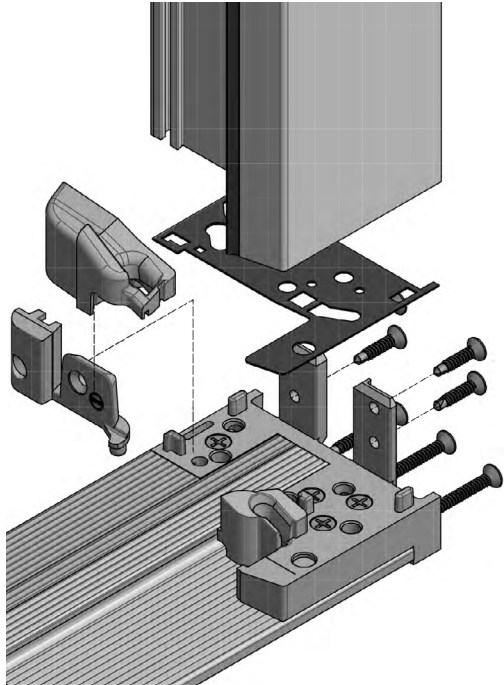
Catalogue new as from June 2018

Distribution and duplication
this document is not permitted.
All rights reserved.

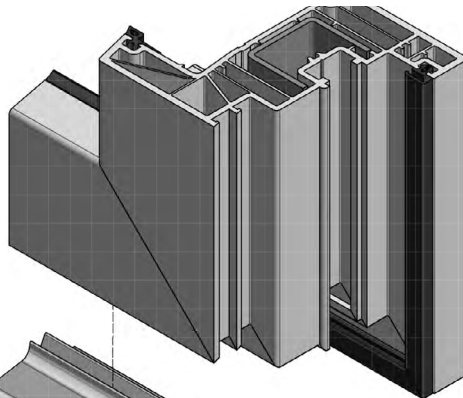
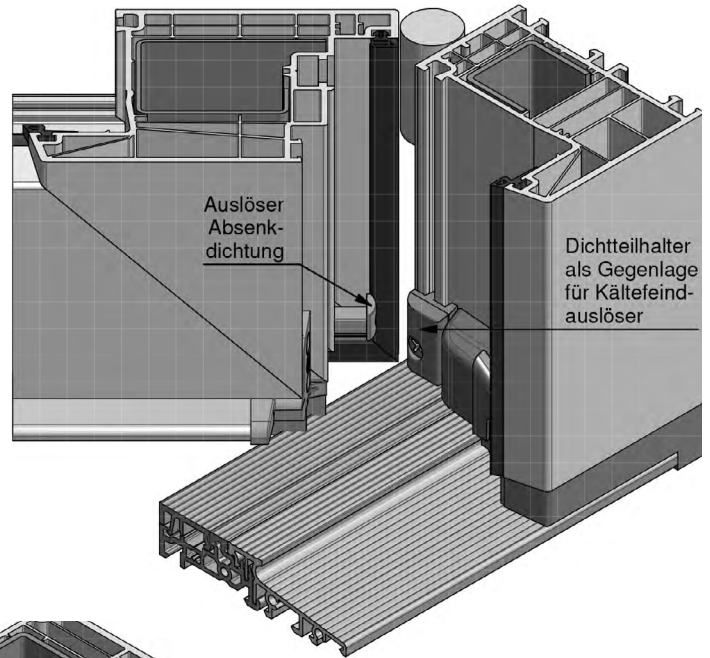
Contents

Threshold System COMBI PLUS fitting to bluEvolution 82.....	4
Threshold System COMBI PLAN fitting to bluEvolution 82.....	11
Threshold System COMBI fitting BRÜGMANN AD73.....	16
Threshold System COMBI fitting to BRÜGMANN MD73.....	20
Threshold System COMBI fitting to SALAMANDER Streamline / 3D.....	23
Threshold system COMBI fitting to SALAMANDER 2D.....	28
Threshold System COMBI fitting to bluEvolution 92.....	32
Threshold packers fitting to Threshold Systems COMBI, COMBI PLUS & BASIC.....	35
Door fitting accessories for Threshold System COMBI & COMBI PLUS.....	37
Threshold System BASIC.....	39
Transom and Mullion connectors fitting to BRÜGMANN AD73.....	42
Transom and Mullion connectors fitting to SALAMANDER 3D.....	43
Transom and Mullion connectors fitting to SALAMANDER Streamline.....	44
Transom and Mullion connectors fitting to bluEvolution 82.....	45
Transom and Mullion connectors bluEvolution 92.....	46
Glass bridges fitting to BRÜGMANN AD73/MD73.....	47
Glass bridges fitting to SALAMANDER 3D / Streamline.....	48
Glass bridges fitting to bluEvolution 82 / 92.....	49
Dummy Sash clip fitting to AD73/MD73.....	50
Step protection / weatherside profile.....	51
Weldable corner joint „SVX“ fitting to door reinforcement.....	53

Threshold System COMBI PLUS fitting to bluEvolution 82

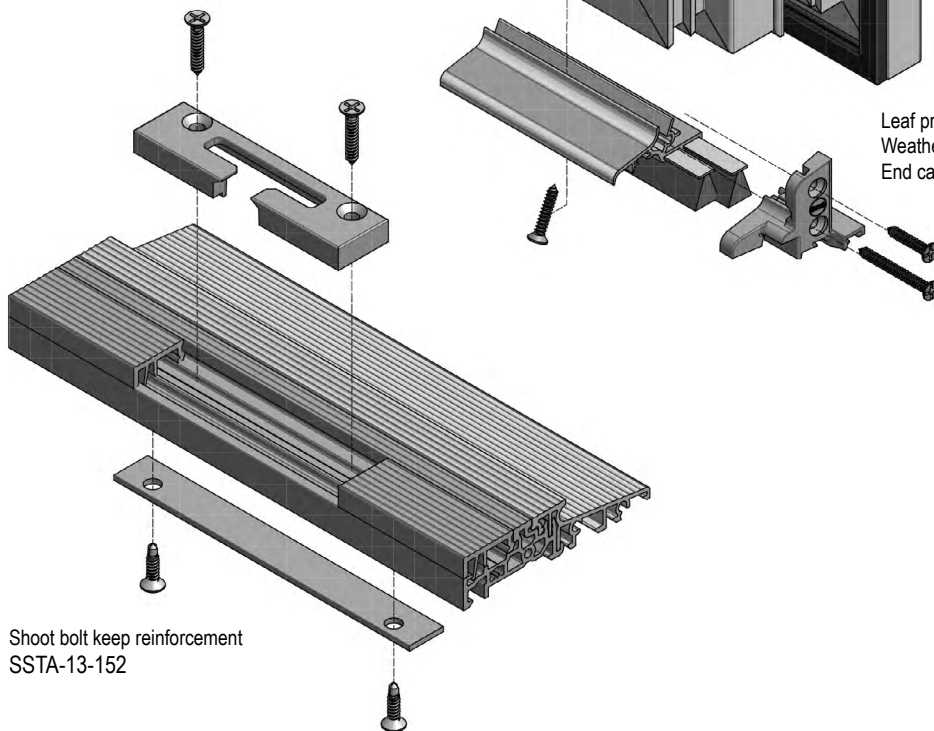
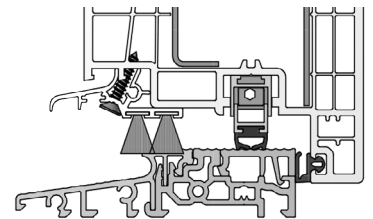


Frame holder (SH...)

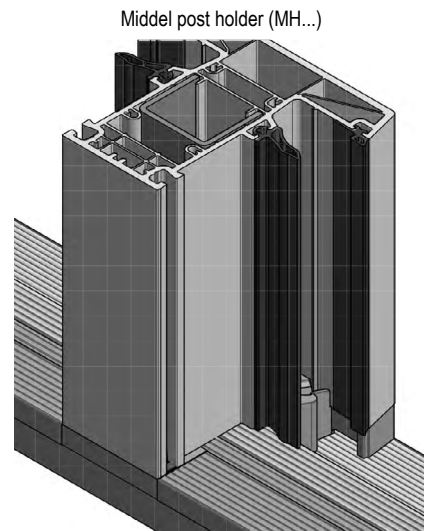


Leaf profile with Weatherside profile and End caps

Use of dropdown seals



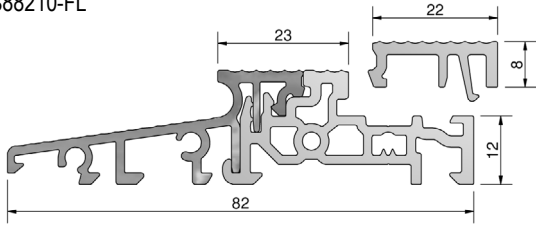
Shoot bolt keep reinforcement SSTA-13-152



Middel post holder (MH...)

Threshold System COMBI PLUS fitting to bluEvolution 82

TS88210-FL

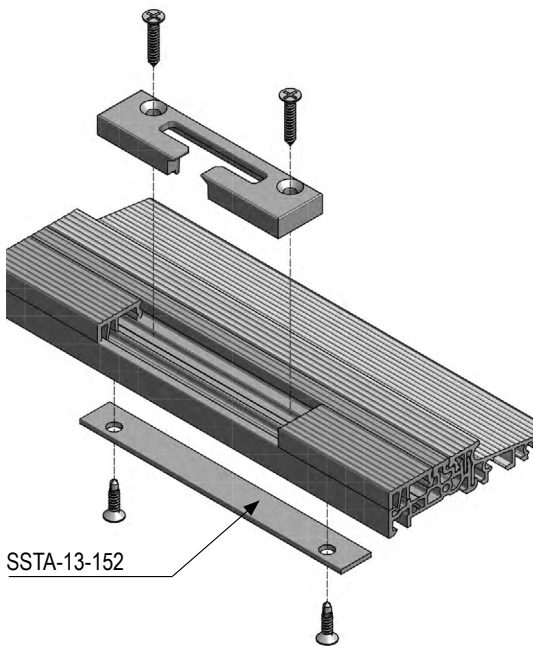


Aluminium-PVC-Threshold 82mm Depth - without thermal bridge, with strike plate strip, Size: 82x20x4500mm, EV1 Anodised, PVC Grey, fluted with protective foil

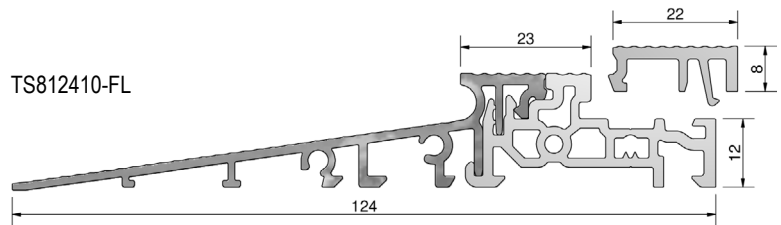
Article Nr..	matching packers	Comments	Meter
TS88210-FL	TSUK6230/RC, TSUK6265/RC TSAP..., TSUK4135, TSUK4180, TSUK5049 (all models) Salamander 416-160/170/176	Lose strike plate strip	36

Aluminium-PVC-Threshold 124mm Depth - without thermal bridge, with strike plate strip, Size: 124x20x4500mm, EV1 Anodised, PVC Grey, fluted with protective foil

Article Nr..	matching packers	Comments	Meter
TS812410-FL	TSUK6230/RC, TSUK6265/RC TSAP..., TSUK4135, TSUK4180, TSUK5049 (all models) Salamander 416-160/170/176	Lose strike plate strip	27



SSTA-13-152

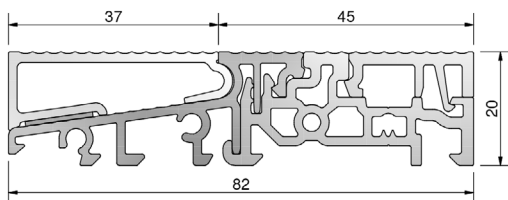


TS812410-FL

Strike plate reinforcement COMBI PLUS, Galvanised steel

Article Nr..	Fitting to	Abmessungen	Pieces
SSTA-13-152	Combi plus (all)	130x15mm	50

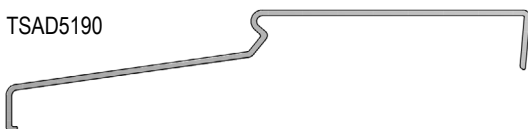
TSA8821SK



Aluminium adapter profile for Threshold for Outward opening doors

Article Nr..	Fitting to Threshold	Colour	Meter
TSA8821SK	TS88210-FL	EV1	45

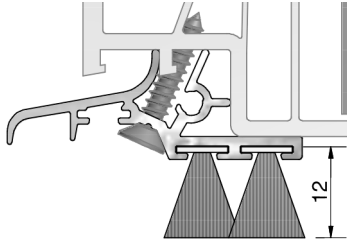
TSAD5190



Protective cover for Threshold, 980mm long, PVC Grey

Article Nr..	Fitting to Threshold	Pieces
TSAD5190	TS88210-FL	30

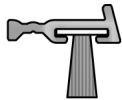
Threshold System COMBI PLUS fitting to bluEvolution 82



Weatherside profile, Anodised EV1 including brush pile (BD...), 1950mm long,			
Article Nr.	Colour	zu Profil	VE / Set
WSA88201/EV1/...*/...*	EV1	82 AD, MD	25

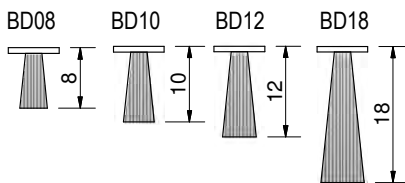
* Pile height to be given with order!

Attention! Due to the profile contour of the leaf having a recess of 10mm at the Threshold a 12mm long pile is to be used!



Door seal for outward opening, with one brush pile seal, 1950mm long,			
Article Nr.	Colour	Profile	Set
TD5015/...*	EV1	82 AD, MD	25

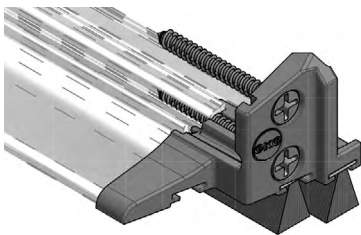
* Pile height to be given with order!



Available brush pile*, 1100mm long			
Article Nr.	Material	Height	Pieces
BD8	Bürste	8mm	100
BD10	Bürste	10mm	100
BD12	Bürste	12mm	100
BD18	Bürste	18mm	100

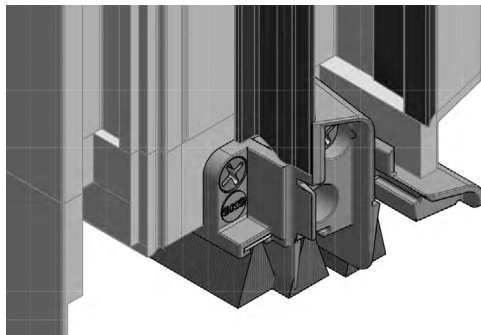
*Only available together with GKG Weatherside profile or holder.

EKW8201g



End cap pair Weatherside profile fitting to bluEvolution 82				
Article Nr.	Colour	WSA...	Profil	Pair
EKW8201g	grey	WSA88201/...	82 AD, MD	50

STK88201g/...

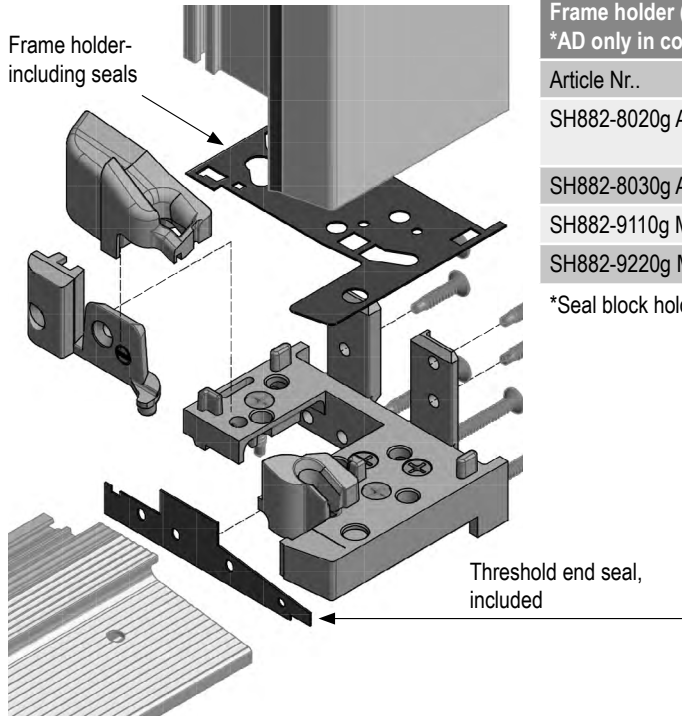


French door end caps (STK...)* soft plastic, Grey, fitting bluEvolution 82				
Article Nr.	Profile	Profile	DIN	Pieces
STK88201g/left	82 MD	HO9800, HO9810, HO9820	Left	10
STK88201g/right	82 MD	HO9800, HO9810, HO9820	Right	10

*Patented French door seal, Patent Nr. EP 2 290 187

Threshold System COMBI PLUS fitting to bluEvolution 82

SH882-8020g AD with DTH882-8020*

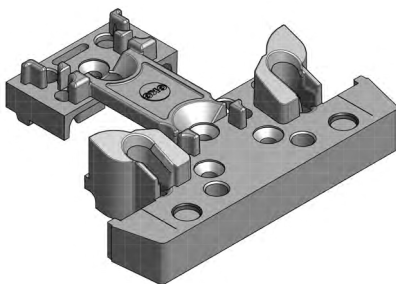


Frame holder (SH...) from plastic, grey inc. Threshold seals
 *AD only in combination with DTH882-8020. Please order separately!

Article Nr..	Profile	Frames	Width	Pair
SH882-8020g AD/MD	82 AD/MD	HO9020 MD, HO8020 AD*	73mm	20
SH882-8030g AD	82 AD	HO8030 AD*	83mm	20
SH882-9110g MD	82 MD	HO9110 MD	108mm	20
SH882-9220g MD	82 MD	HO9220 MD	73mm round.	20

*Seal block holder DTH882-8020 for AD Profiles Please order separately! (see below.)

MH882-8310g AD/MD

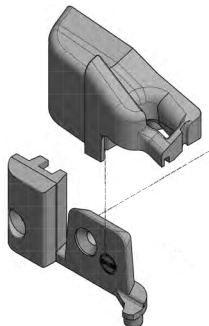


Middle post holder (SH...) from plastic, grey including seals
 *AD only in combination with DTH882-8020. Please order separately!

Article Nr..	Profile	Mullions	Width	Pieces
MH882-8310g AD/MD	82 AD/MD	HO8320 MD HO8310 AD* HO9320 AD*	96mm	20
MH882-9420g AD/MD	82 AD/MD	HP9420	96mm abgerund.	20

*Seal block holder DTH882-8020 for AD Profiles Please order separately! (see below.)

DTH882-8020



Seal block holder (DTH...) Plastic, including recess seal block.
 Fitting to bluEvolution 82 AD Profile

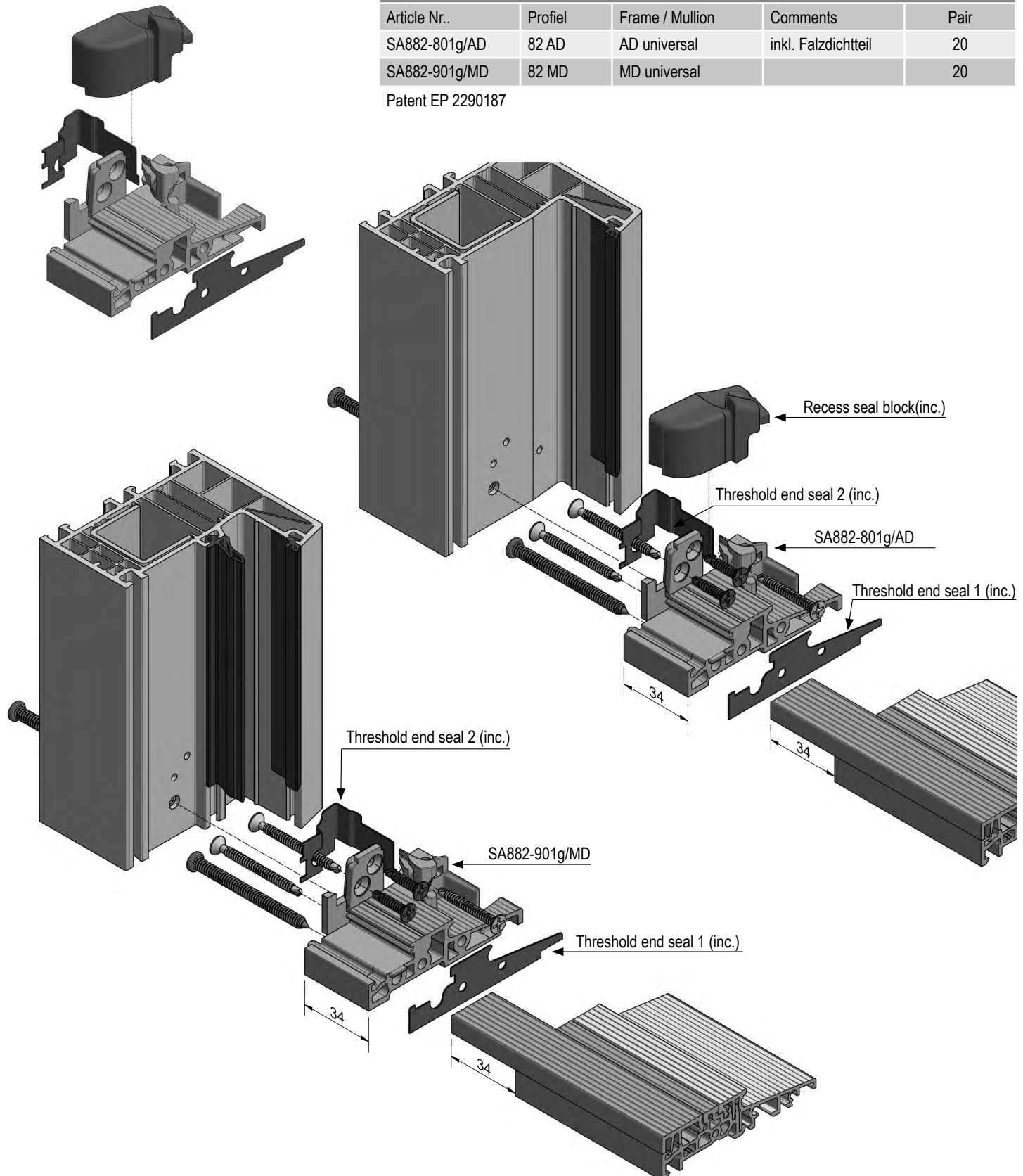
Article Nr..	Colour	Profile	Pair
DTH882-8020	grey	bluEvolution 82 AD	50

Threshold System COMBI PLUS fitting to bluEvolution 82

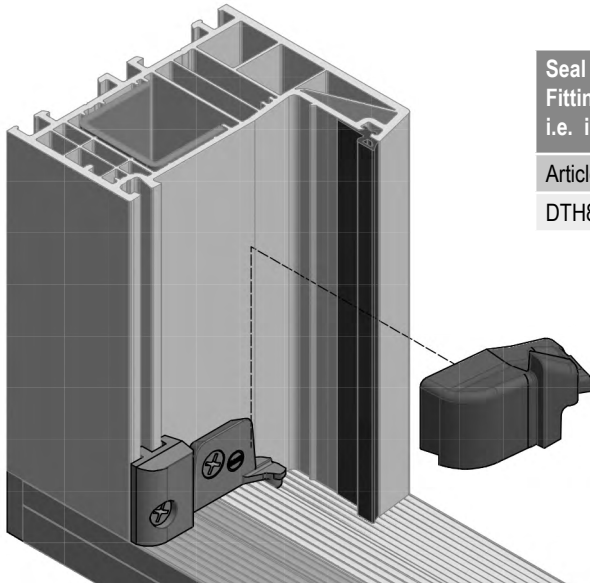
SA882-801g/AD

Threshold adapter (SA...) made from plastic inc. recess seal block by use with AD profiles				
Article Nr.	Profil	Frame / Mullion	Comments	Pair
SA882-801g/AD	82 AD	AD universal	inkl. Falzdichtteil	20
SA882-901g/MD	82 MD	MD universal		20

Patent EP 2290187



Threshold System COMBI PLUS fitting to bluEvolution 82

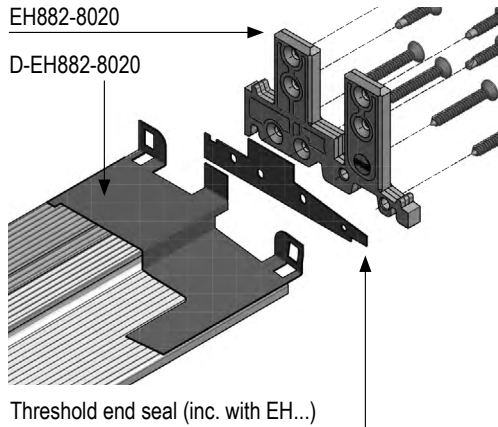


Seal block holder (universal)

Seal block holder (DTH...) Plastic, including recess seal block.
Fitting to bluEvolution 82 AD Profile Universal use with contour milled frames
i.e. in combination with the End holder EH82-8020

Article Nr..	Colour	Profile	Pair
DTH882-8020	grey	bluEvolution 82 AD	50

Threshold end holder (universal)



Threshold end holder (EH...) made from plastic, universal with
Threshold end seal fitting to bluEvolution 82

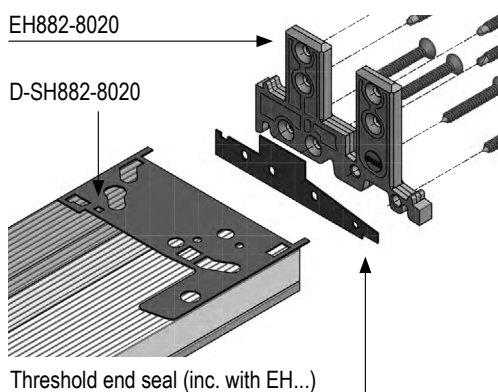
Article Nr..	Colour	Profile	Pair
EH882-8020	grey	bluEvolution 82 AD/MD	50

Threshold seal for milled frames

Threshold end seal plate (D-EH...) made from EPDM, Adhesive, double sided, grey
Threshold seal for milled Profiles.

Article Nr..	Colour	End holder	Profile	Pieces
D-EH882-8020	grey	EH82-8020	bluEvolution 82 AD/MD	100

Upon request. Only for use with milled profiles!



Threshold seal for outward opening doors

Threshold seal (D-SH...) made from EPDM, Adhesive, double sided grey fitting to bluEvolution 82 AD outward opening

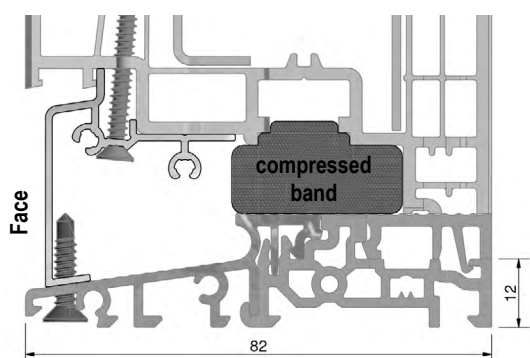
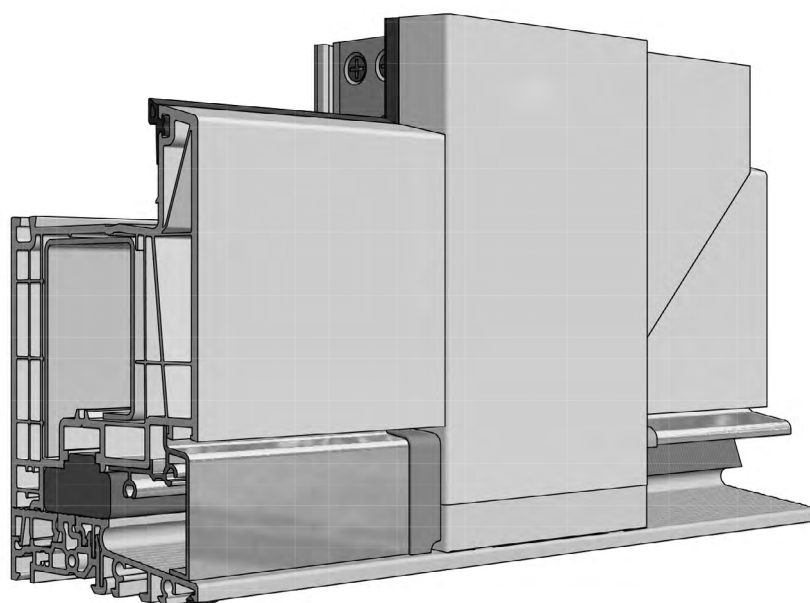
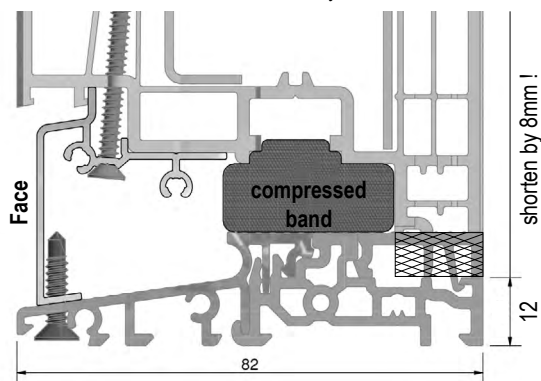
Article Nr..	Colour	End holder	Profile	Pieces
D-SH882-8020	grey	EH82-8020	HO8020 AD (73mm)	100
D-SH882-8030	grey	EH82-8020	HO8030 AD (83mm)	100

Not for use with milled profiles!!

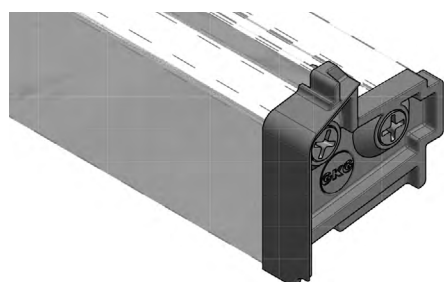
Threshold system COMBI PLUS fitting to bluEvolution 82

Fixed sidelights

Notice to the mounting of the TSAF8821/EV1 door leaf to be shortened by 8mm !



Aluminium anodised EV1 side light profile. Fitting to bluEvolution 82			
Article Nr..	Fitting to Threshold	Colour	Meter
TSAF8821/EV1	TS88210-FL	EV1	50



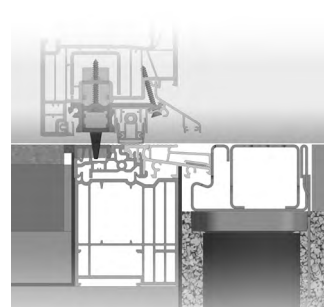
End cap for fixed sidelight, plastic grey. Fitting to bluEvolution 82			
Article Nr..	Fitting to Profil	Colour	Pair
EKF88201g	TSAF8821/EV1	grey	20

Threshold System COMBI PLAN fitting to bluEvolution 82

The new GKG Threshold system COMBI PLAN through our existing Threshold Systems „COMBI“ and „COMBI PLUS“ offers you the possibility of a zero Threshold. To do this, supplementary components are necessary. Our tested and thermally divided Threshold Systems „COMBI“ and „COMBI PLUS“ provide you with their extensive accessories a rational and flexible solution for a ZERO THRESHOLD, that meet all of today's requirements.



- Floor level access without sill stop.
- Versatil use for home, Balcony, tilt and turn doors, store entrance doors, aswell French doors.
- Lock strike plates in the Threshold are possible!
- Hardware can be fitted all the way around the door!
- Thermally insulated adapter under the door leaf for drop down seals and replacable Weatherside profile.
- No seal contact on the floor as the door is opened or closed.
- Easy montage on the existing GKG Threshold Systems „COMBI“ and „COMBI PLUS“.
- Drainage channel fitted onto the existing GKG Threshold.
- Drainage is optimised for exterior drainage.
- End caps made from TPE for the drainage channel..



TESTED PROPERTIES Corresponds to test report 40-9/17 from PIV (Prüfinstitut Schlösser und Beschläge Velbert).

- Air permeability Class 4 acc. to DIN EN 1026
- Water tightness under heavy rain Class 8A acc. to DIN EN 1027.
- Resistance to wind load Class C3 acc. to DIN EN 12211

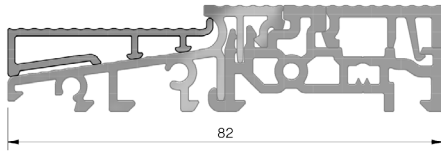
The **ZERO THRESHOLD** becomes the standard solution



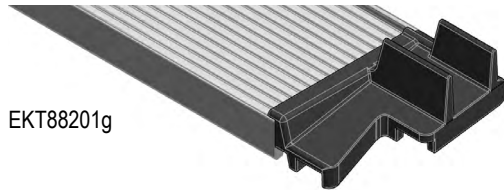
Threshold system COMBI PLAN 0mm fitting to bluEvolution 82

Patent EP 2 957 702

TSA8822



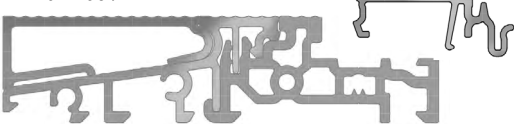
Aluminium drainage profile (TSA...) for Zero Thresholds sold adhesive 1950mm long			
Article Nr..	Threshold	Colour	Pieces
TSA8822/EV1	TS88210-FL	EV1	10



EKT88201g

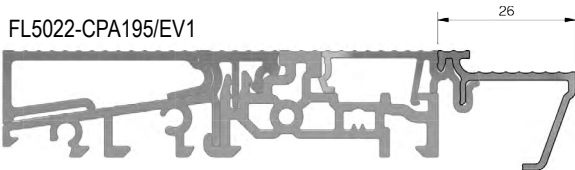
End cap (EKT...) for TSA Drainage profile made from plastic			
Article Nr..	Drainage profile	Colour	Pair
EKT88201g	TSA8822/EV1	grey	10

ELA01-195 / EV1



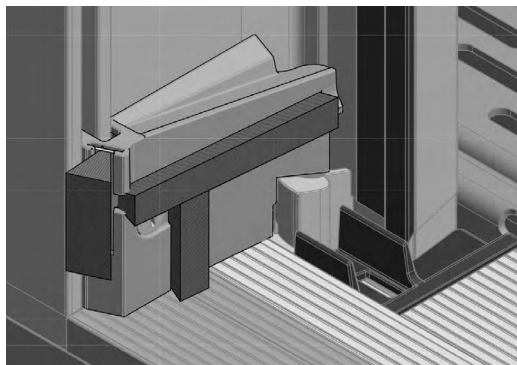
Alu inlay for outward opening doors for use with drainage profile ELA01 1950mm long			
Article Nr..	Profile	Colour	Pieces
FL5022-CPA195/EV1	ELA01-195 / EV1	EV1	10

FL5022-CPA195/EV1



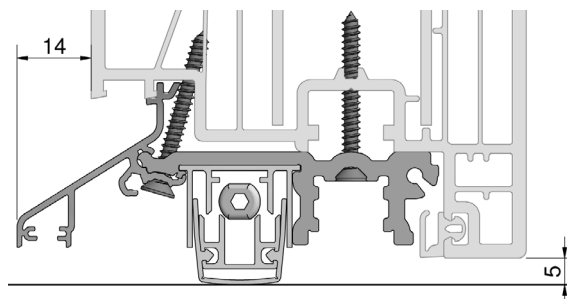
Aluminium drainage profile (ELA...) for outward opening doors, 1950mm long			
Article Nr..	Profile system	Colour	Pieces
ELA01-195 / EV1	universal	EV1	10

RBT01g



Recess seal block made from Plastic incl. 3 Brush piles			
Article Nr..	Fitting to Profil	Colour	Pair
RBT01g	universal	grey	10

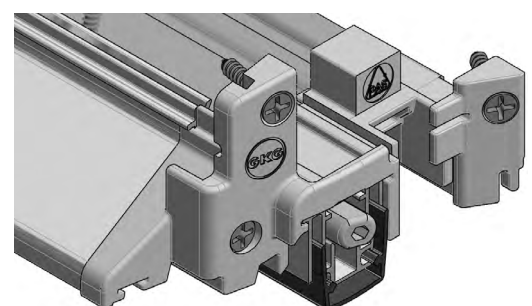
BDA8821



Adapter profile PVC with Alu Weather board for drop down seals, 1950mm long			
Article Nr..		Colour	Pieces
BDA8821		EV1/ PVC grey	10

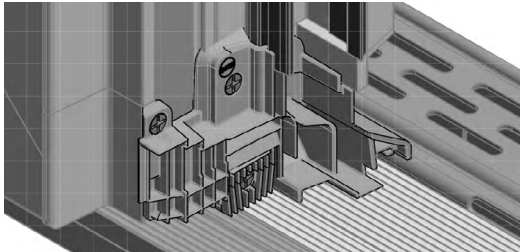
End cap to Adapter profile (2-piece) made from plastic			
Article Nr..	Adapter profile	Colour	Pair
EK-BDA8821L/R	BDA8821	grey	20

EK-BDA8831



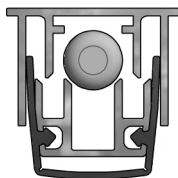
Threshold system COMBI PLAN 0mm fitting to bluEvolution 82

Patent EP 2 957 702



STK-BDA8821-R/L

BOD50...



French Door end cap fitting to Adapter profile

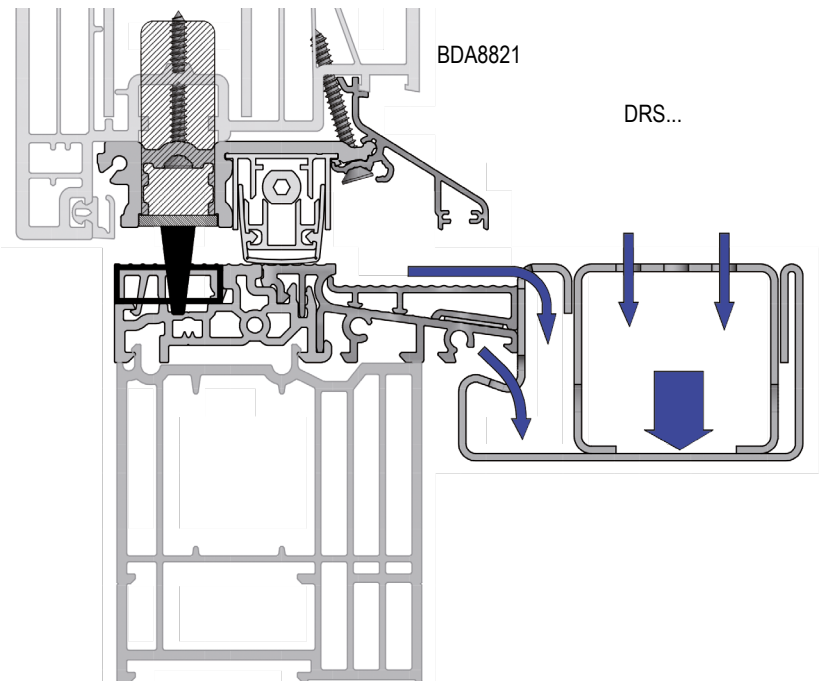
Article Nr..	Adapter profile	DIN	Colour	Pieces
STK-BDA8821-L*	BDA8821	Left	grey	10
STK-BDA8821-R*	BDA8821	Right	grey	10

* in preparation / not yet available..

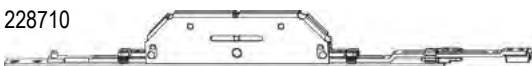
Drop down seal, can be shortened by up to 125mm

Article Nr..	Fitting to Profil	Length	DIN	Pieces
BOD50084	BDA8821	835mm	right/left	10
BOD50096	BDA8821	960mm	right/left	10
BOD50109	BDA8821	1085mm	right/left	10
BOD50121	BDA8821	1210mm	right/left	10
BOD50134	BDA8821	1335mm	right/left	10

Other lengths available upon request



228710



228711



371157



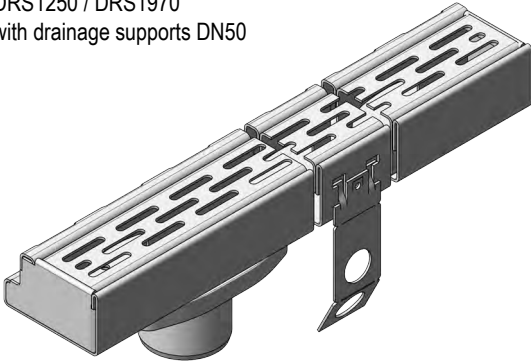
MACO MULTI ZERO

Article Nr..	Bezeichnung	Colour	Fitting to
228710	Hook closure horizontally extendable MM EH 350 FFH/FFB 540-1.800	Silber	COMBI PLAN
228711	Hook Striker plate MM ±1,5mm compression	Silber	COMBI PLAN
371157	VCI Protective cover for corrosion protection	Blau	COMBI PLAN

Please contact : MAYER & CO BESCHLÄGE GmbH, Salzburg

Threshold system COMBI PLAN 0mm - bluEvolution 82 - Drainage channel

DRS1250 / DRS1970
with drainage supports DN50

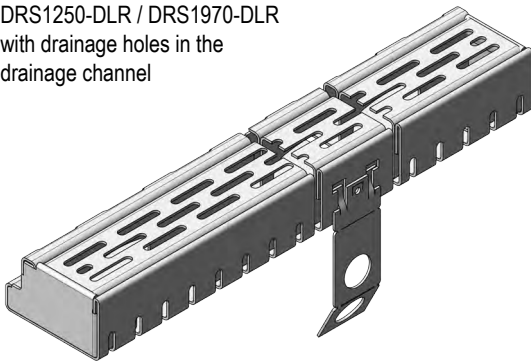


Drainage channel made from Stainless steel perforated grate, End pieces, 3 concrete anchors. Drainage connector DN50

Article Nr..	Fitting to	Länge	Colour	Set
DRS1250	TSA5822	1250mm	Edelstahl V2A	1
DRS1970	TSA5822	1970mm	Edelstahl V2A	1

Note: The drainage channel DRS ... is used exclusively for drainage of the Threshold and door. The existing surfaces or the facade must be drained separately. Alternative drainage channels can be found on the next page. For the shortening of the gutter and grate, only use new and suitable stainless steel cutting discs.

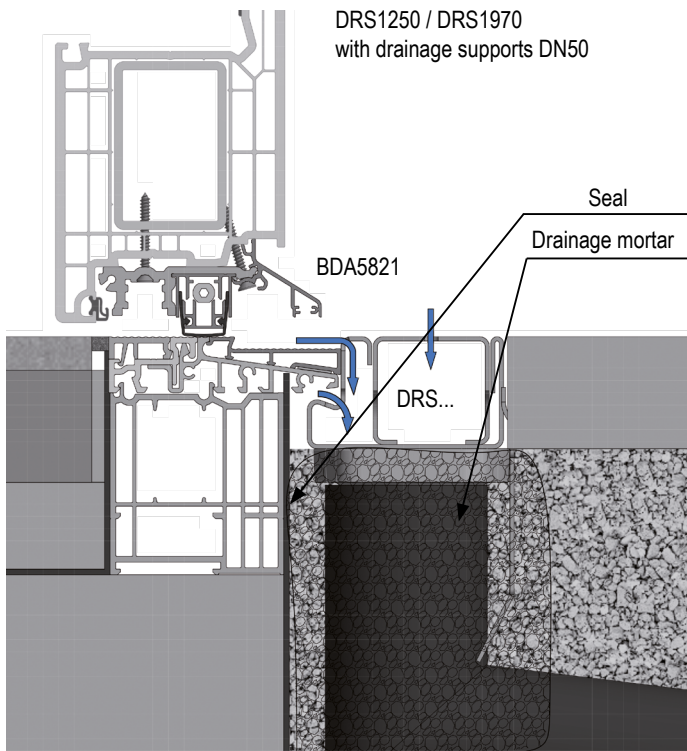
DRS1250-DLR / DRS1970-DLR
with drainage holes in the
drainage channel



Drainage channel made from Stainless steel perforated grate, End pieces, 3 concrete anchors and drainage holes in the channel body for drainage.

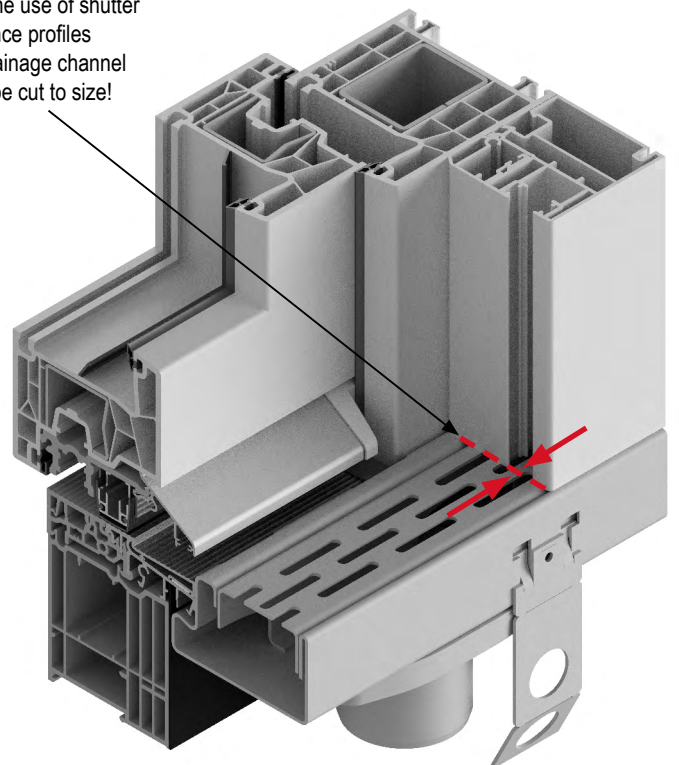
Article Nr..	Fitting to	Länge	Colour	Set
DRS1250-DLR	TSA5822	1250mm	Stainless steel V2A	1
DRS1970-DLR	TSA5822	1970mm	Stainless steel V2A	1

Note: The drainage channel DRS ... is used exclusively for drainage of the Threshold and door. The existing surfaces or the facade must be drained separately. Alternative drainage channels can be found on the next page. For the shortening of the gutter and grate, only use new and suitable stainless steel cutting discs..



DRS1250 / DRS1970
with drainage supports DN50

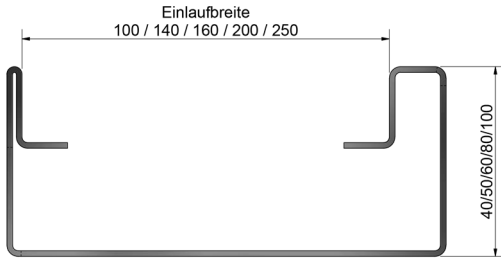
With the use of shutter
guidance profiles
the drainage channel
must be cut to size!



Threshold System COMBI PLAN - Alternative Drainage channels

Alternative Drainage channels from: BRINK „System Grundmeier“

The Stainless steel Drainage channel DRS... are designed for drainage of the door element. As an alternative you can use a drainage channel with the Threshold System COMBI PLAN called „System Grundmeier“ made by Richard Brink GmbH & Co. KG. These can be specified by the customer in terms of Material, the size and the design. The proposal for the drainage channel. The tender of the drainage channels takes place with the landscape gardener or with the Roofer.



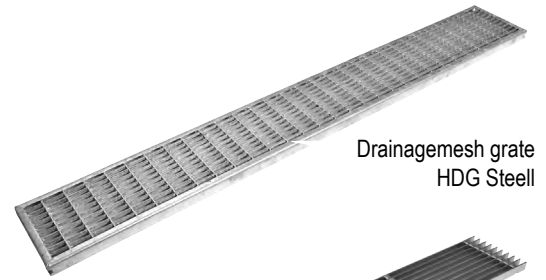
Dränagerinne BRINK „System Grundmeier“			
Article Nr.	Einlaufbreite	Höhe	Material
A800314	100/140/160/ 200/ 250 mm	40/50/60/80/ 100 mm	Stainless steel V2A
A800315	100/140/160/ 200/ 250 mm	40/50/60/80/ 100 mm	HDG steel

Contact:
Richard Brink GmbH & Co. KG
Görlitzer Straße 1
33758 Schloß Holte-Stukenbrock

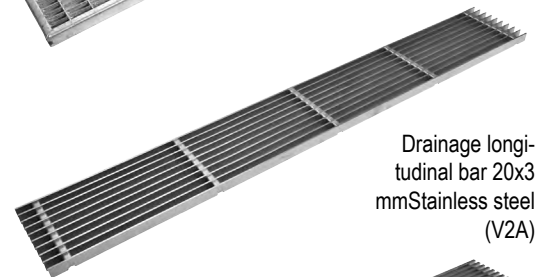
Grate examples:

All Advantages at a glance:

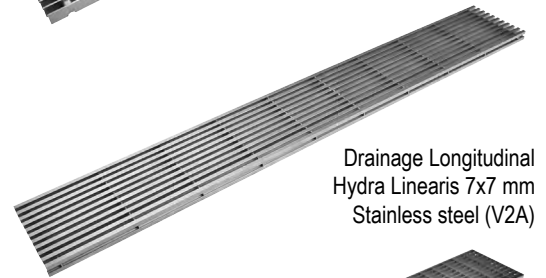
- Individual properties and Design.
- Choose between Stainless steel (V2A) or inexpensive HDG Steel.
- Large variety of drainage grates.
- Flexible Size.
- Drainage from other surfaces also possible.
- The Design can be continued at other parts of the building, where grates are being used.
- The Drainage channel Brink „System Grundmeier“ are through our test reports (transferability) covered



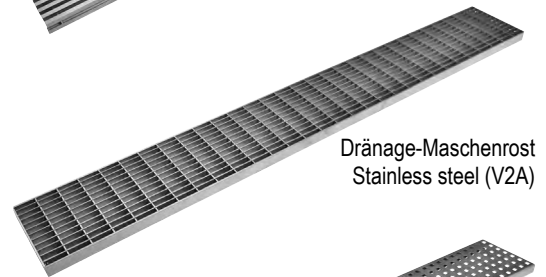
Drainagemesh grate
HDG Steel



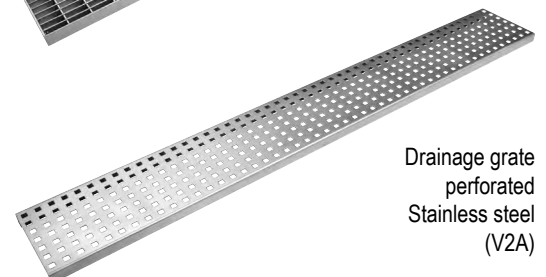
Drainage longitudinal bar 20x3 mm
Stainless steel (V2A)



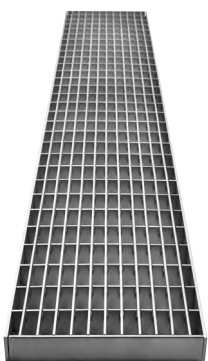
Drainage Longitudinal Hydra Linearis 7x7 mm
Stainless steel (V2A)



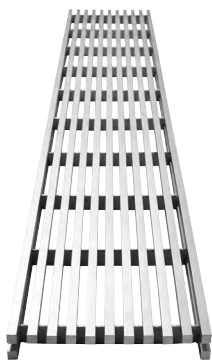
Dränage-Maschenrost
Stainless steel (V2A)



Drainage grate perforated
Stainless steel (V2A)



Drainagemesh grate
HDG Steel

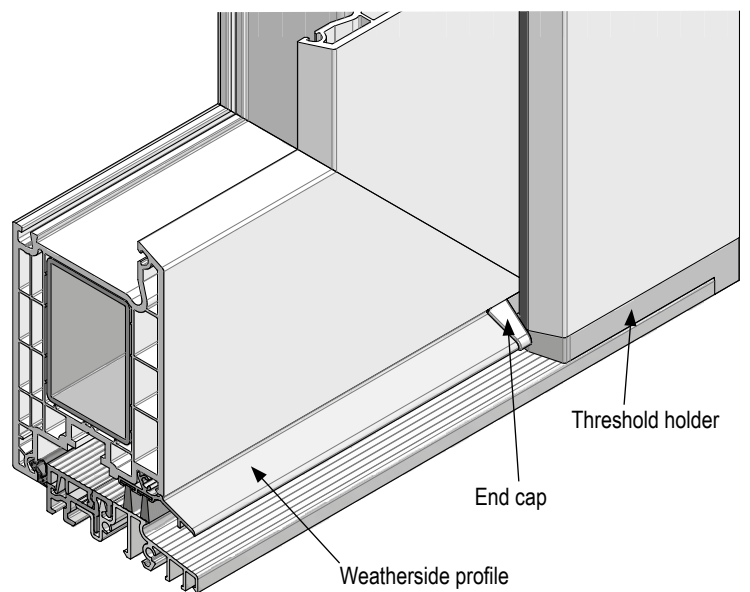
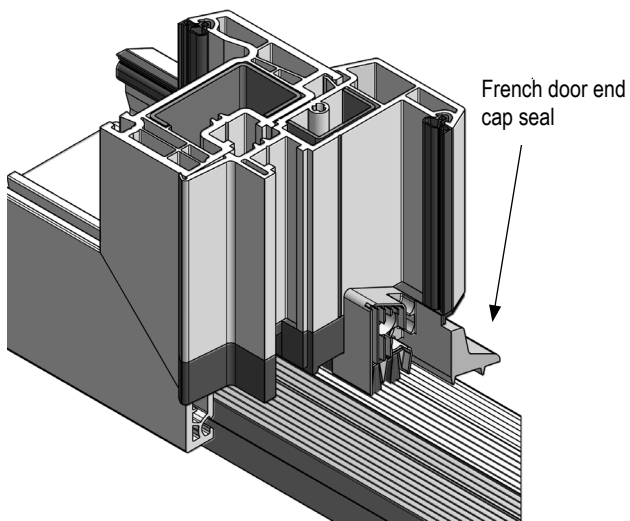
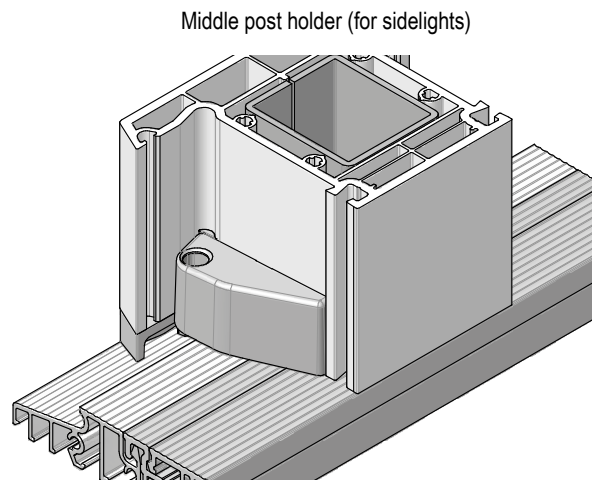
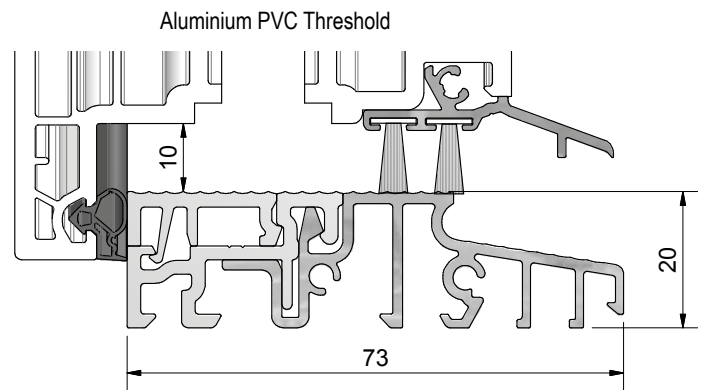
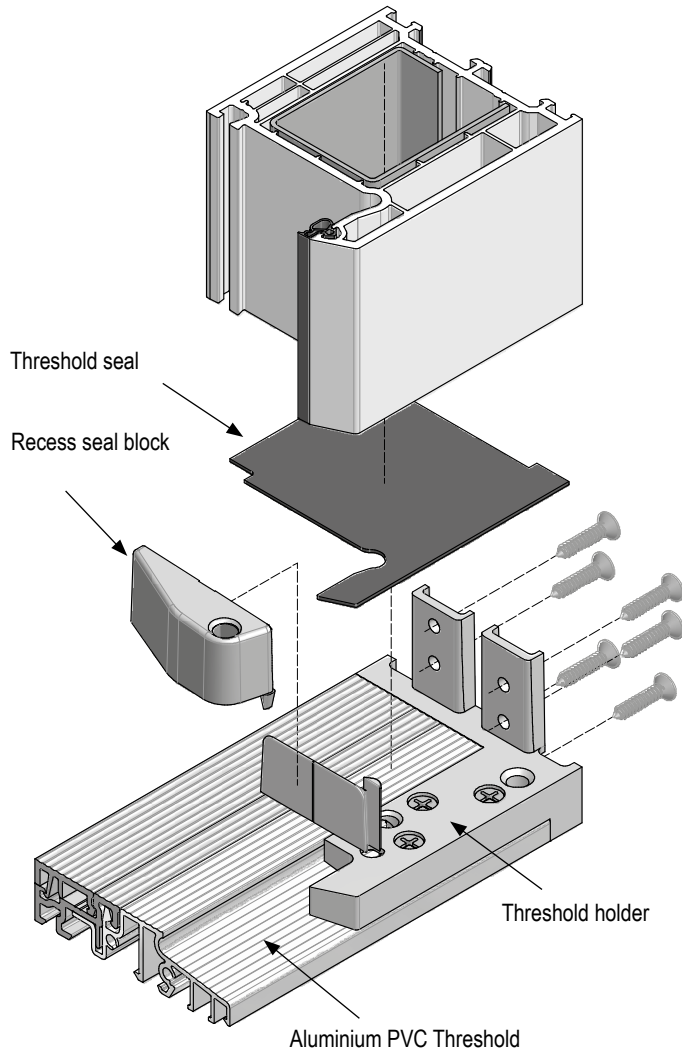


Drainage Longitudinal Hydra Linearis 7x7 mm
Stainless steel (V2A)

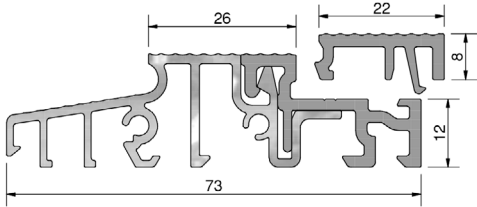


Drainage grate perforated
Stainless steel (V2A)

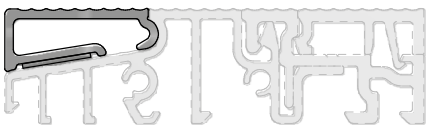
Threshold System COMBI fitting BRÜGMANN AD73



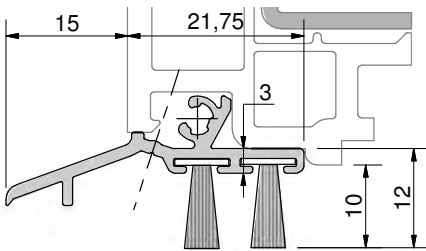
Threshold System COMBI fitting BRÜGMANN AD73



Aluminium PVC Threshold 73mm depth - without thermal bridge, 73x20x4500mm EV1 anodised, PVC grey, Fluted, with protective foil			
Article Nr.	Fitting to threshold packer:	Remarks	Meter
TS57312-FL	TSUK6230/RC, TSUK6265/RC TSUK68-30, TSUK68-100, TSUK68-150, TSUK4135, TSUK4180, TSUK5049 (All versions)	Lose strike plate strip	36



Aluminium adapter profile for Threshold for outward opening doors		
Article Nr	Fitting to threshold	Meter
TSA5731/SK/EV1	TS57312, TS67312	50

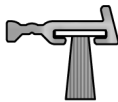


Weatherside profile, with 2 or optional 3 seals, 1950mm long Article Nr.: WSA5414 / Seal 1* / Seal 2* (see seals)				
Article Nr	Colour	Profile	Height	Pieces
WSA5414/...*/...*	EV1	Brüggmann AD	12mm	25

* Please include the required brush pile with order!

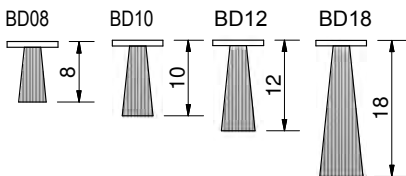
Attention: Due to the profile contour of the Sash by a 10mm rebate to Threshold is a 12mm Brush seal used! Futher brush seals available upon request !

TD5015/...



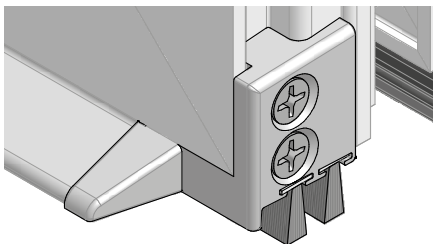
Door seal for outward opening, with one brush pile seal, 1950mm long, Article Nr. TD5015/Brush pile* (See Brush pile)			
Article Nr.	Colour	Profile	Pieces
TD5015/...*	EV1	8000	25

* Please include the required brush pile with order!



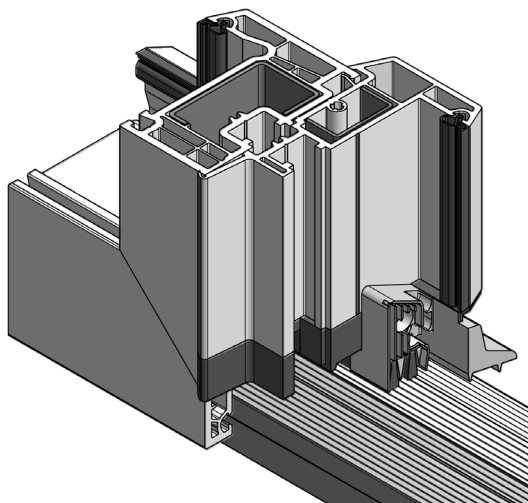
Available brush pile*, 1100mm long			
Article Nr.	Material	Height	Pieces
BD8	Bürste	8mm	100
BD10	Bürste	10mm	100
BD12	Bürste	12mm	100
BD18	Bürste	18mm	100

*Only available together with GKG Weatherside profile or holder.



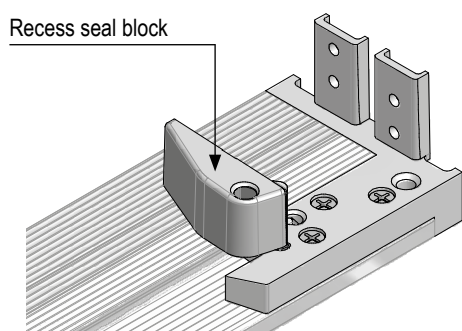
End cap pairs for weatherside profile				
Article Nr	Colour	WSA...	Profile	Pair
EKW54-014g	grey	5414	Brüggmann AD	50

Threshold System COMBI fitting to BRÜGMANN AD73

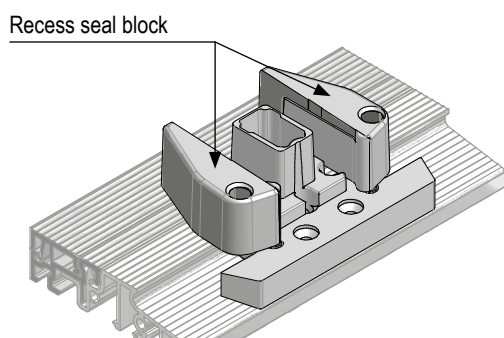


French door end cap seals (STK...)					
Article Nr	Colour	Profile	Profile Nr	DIN	Pieces
STK54-3510/links	grey	AD73	3500, 3510	left	10
STK54-3510/rechts	grey	AD73	3500, 3510	right	10

*Patented French door seal, Patent Nr. EP 2 290 187



Threshold holder (SH...) made from plastic inc. recess seal block and threshold seal					
Article Nr..	Colour	Profile	Frame	Width	Pair
SH54-0104g	grey	AD73	HP104	90mm	20
SH54-0122g	grey	AD73	HP122	68mm	20
SH54-0123g	grey	AD73	HP123	78mm	20

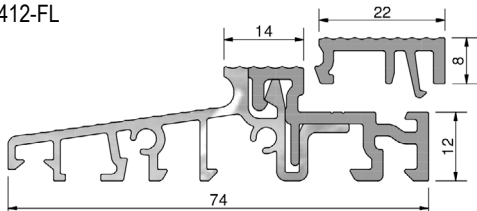


Middle post holder (MH...) made from plastic inc. recess seal block and threshold seal					
Article Nr	Colour	Profile	Profile Nr	Width	Pieces
MH54-0302g	grey	AD73	HP302*, HP301	90mm	20
MH54-0303g	grey	AD73	HP303 mit Arm. 53x40x2 / 4mm	102mm	20

*HP302 with reinforcement VS302 (25x40x2mm or 4mm)

Threshold Adapter System COMBI fitting to BRÜGMANN AD73

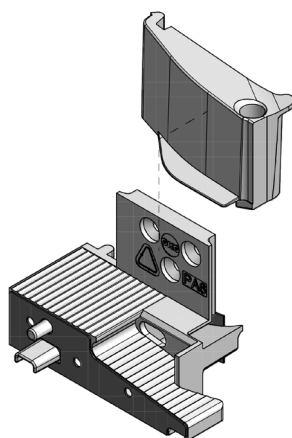
TS57412-FL



Aluminium PVC Threshold 74mm depth - without thermal bridge 74x20x4500mm
EV1 anodised, PVC grey, Fluted, with protective foil

ArticleNr	Fitting threshold packer	Remarks	Meter
TS57412-FL	TSUK4135, TSUK4180, TSUK5049 (All versions), TSUK6230/RC, TSUK6265/RC	Lose strike plate strip	36

SA5401g

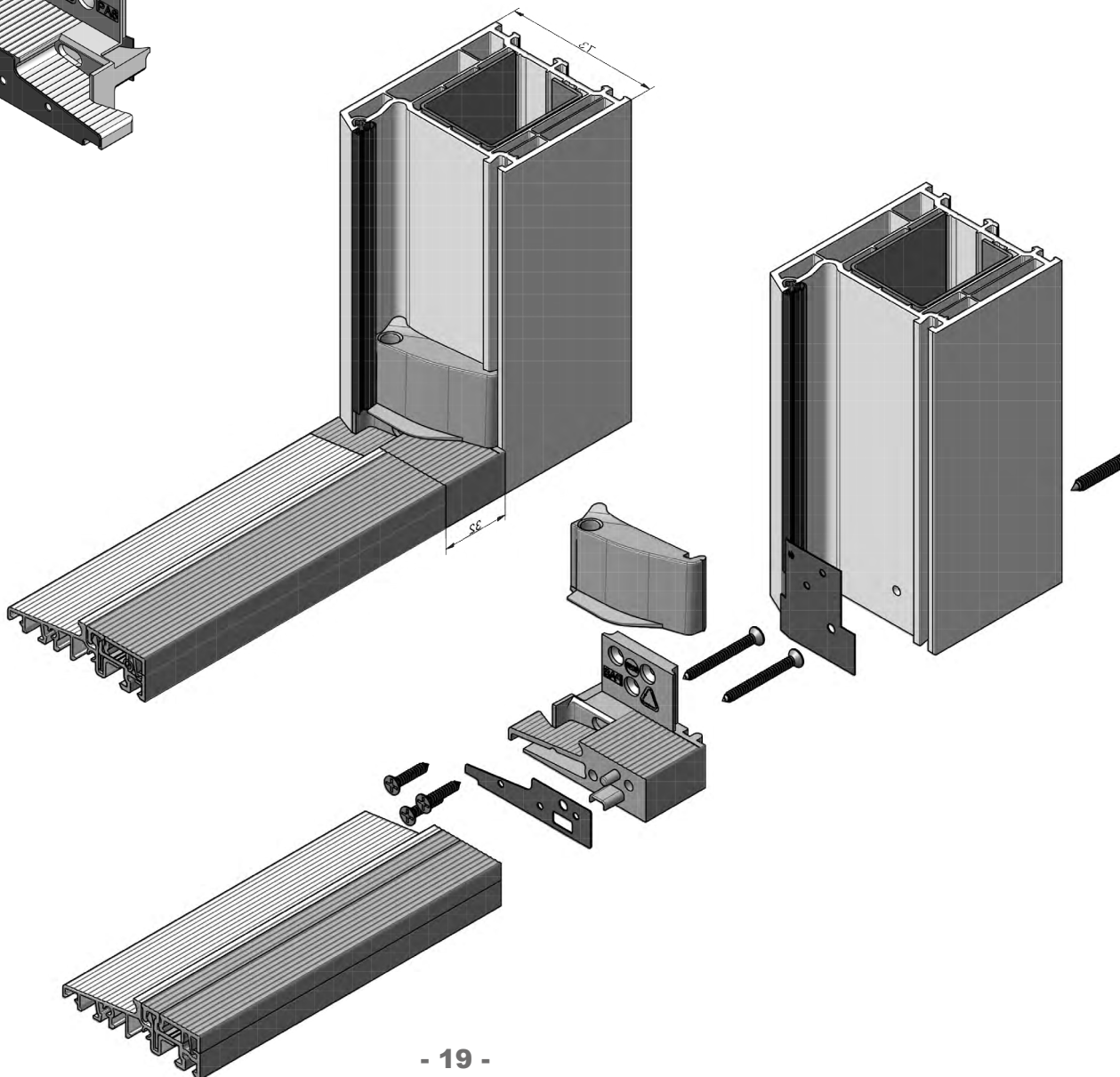


Threshold adapter (SA...) made from plastic inc. recess seal block und threshold seal

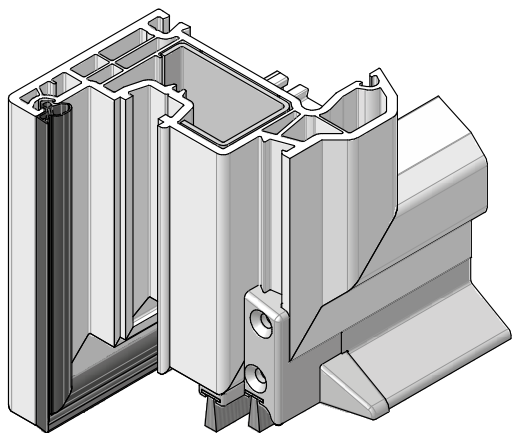
Article Nr	Colour	Profile	Pair
SA5401	grey	AD73	20

Patent EP 2290187

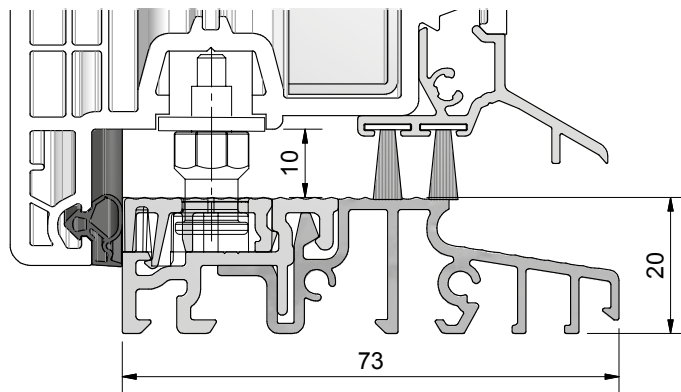
ATTENTION ! Threshold adapter SA5401 only to used with the Threshold TS57412!



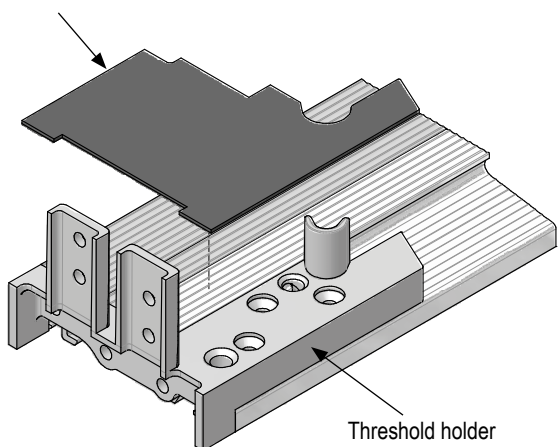
Threshold System COMBI fitting to BRÜGMANN MD73



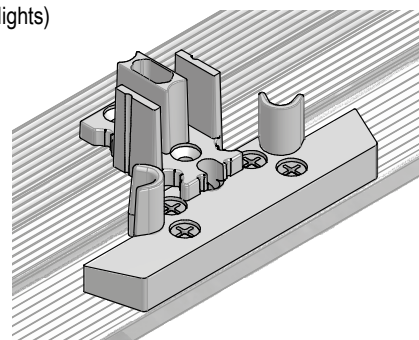
Aluminium PVC Threshold



Threshold seal

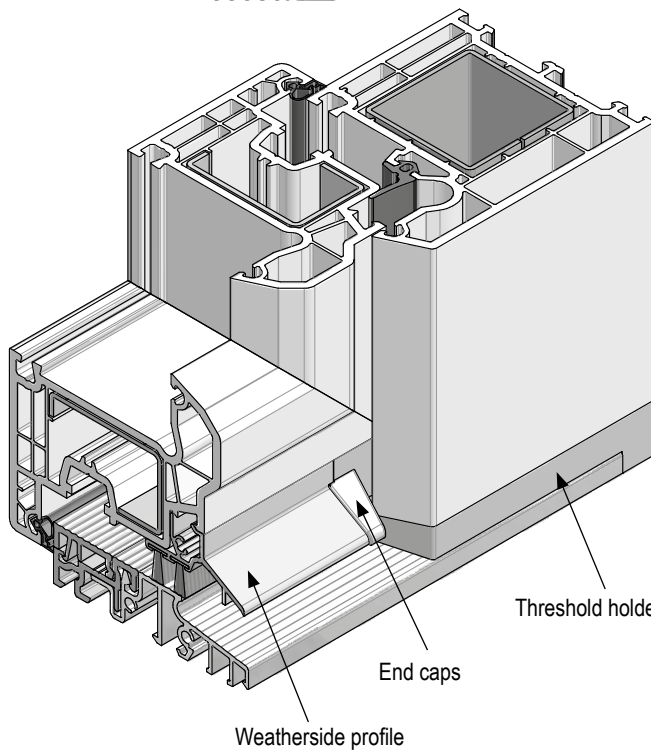
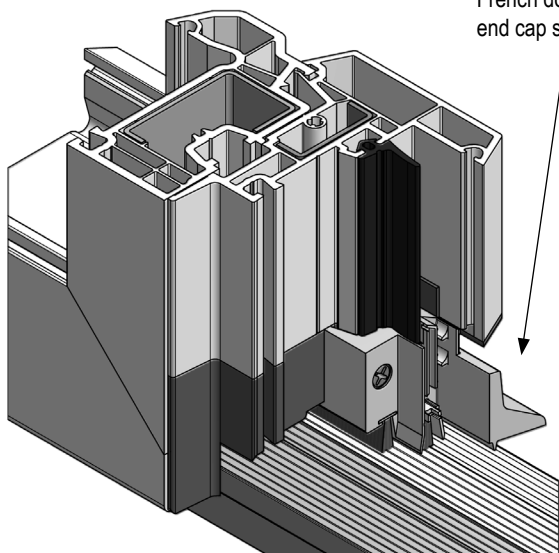


Middle Post holder (for sidelights)

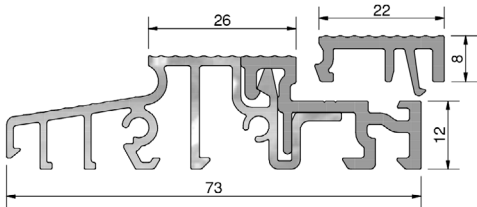


Threshold holder

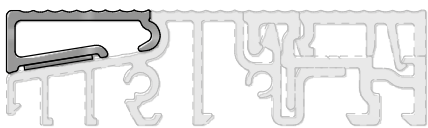
French door end cap seal



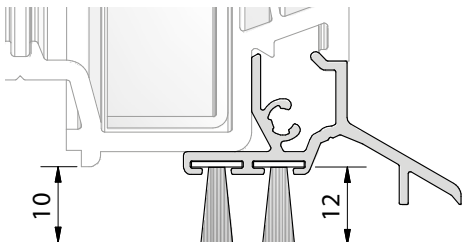
Threshold System COMBI fitting to BRÜGMANN MD73



Aluminium PVC Threshold 73mm depth - without thermal bridge, 73x20x4500mm EV1 anodised, PVC grey, Fluted, with protective foil			
Article Nr.	Fitting threshold packer:	remarks	Pack/Mtr
TS57312-FL	TSUK4135, TSUK4180, TSUK5049 (All versions) TSUK41130	Lose strike plate strip	36



Aluminium adapter profile for outward opening doors		
Article Nr.	Fitting to Threshold	Meter
TSA5731/SK/EV1	TS57312-FL	50



Weatherside profile, with 2 or optional 3 seals, 1950mm long			
Article Nr.	Colour	Profile	Pieces
WSA5420/...*/...*	EV1	Brüggmann MD	25

* Please specify the required seals

Attention! Due to the profile contour of the Sash by a 10mm rebate to Threshold is a 12mm Brush seal used!

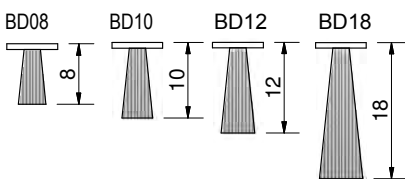


TD5015/...



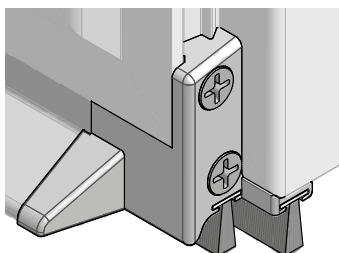
Door seal for outward opening, with one brush pile seal, 1950mm long			
Article Nr.	Colour	Profile	Set
TD5015/...*	EV1	82 AD, MD	25

* Please specify the required seals!



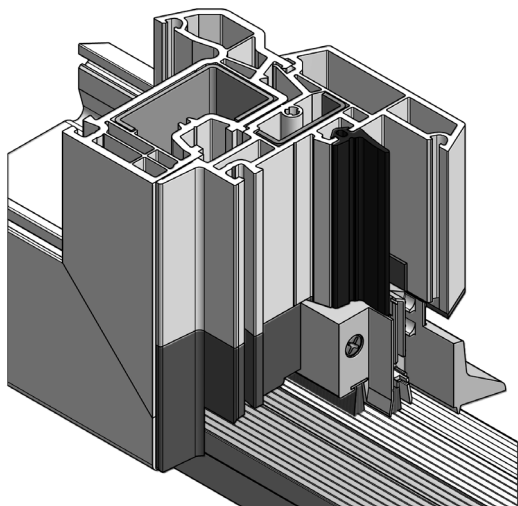
Brush pile seals, 1100mm long			
Article Nr	Material	Height	Pieces
BD8	Pile	8mm	100
BD10	Pile	10mm	100
BD12	Pile	12mm	100
BD18	Pile	18mm	100

*Only available together with GKG Weatherside profile or holder



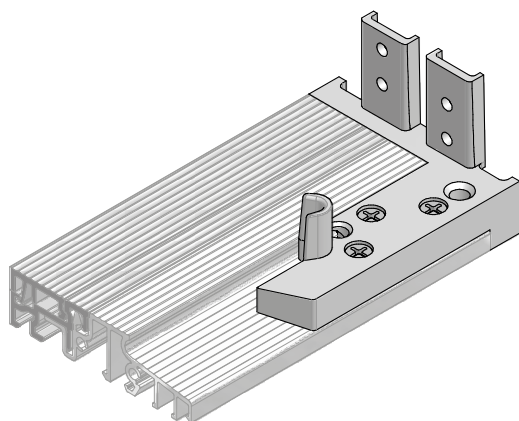
End cap pairs for weatherside profile				
Article Nr	Colour	WSA...	Profile	Pair
EKW54-020g	grey	5420	Brüggmann MD	50

Threshold System COMBI fitting to BRÜGMANN MD73

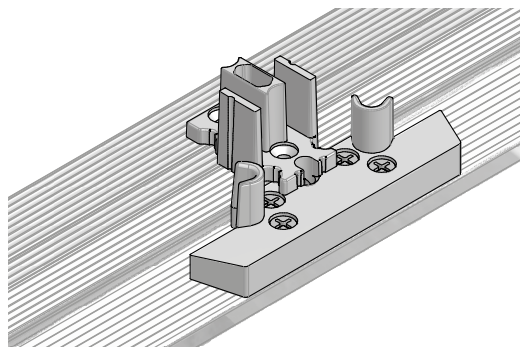


French door end caps (STK...)					
Article Nr	Colour	Profile	Profile Nr	DIN	Pieces
STK54-0461/links	grey	MD73	0461	left	10
STK54-0461/rechts	grey	MD73	0461	right	10

*Patented French door seal, Patent Nr. EP 2 290 187



Threshold holder (SH...) made from plastic inc. recess seal block und threshold seal					
Article Nr	Colour	Profile	Frame	Width	Pair
SH54-0203g	grey	MD73	HP203	90mm	20
SH54-0222g	grey	MD73	HP222	78mm	20



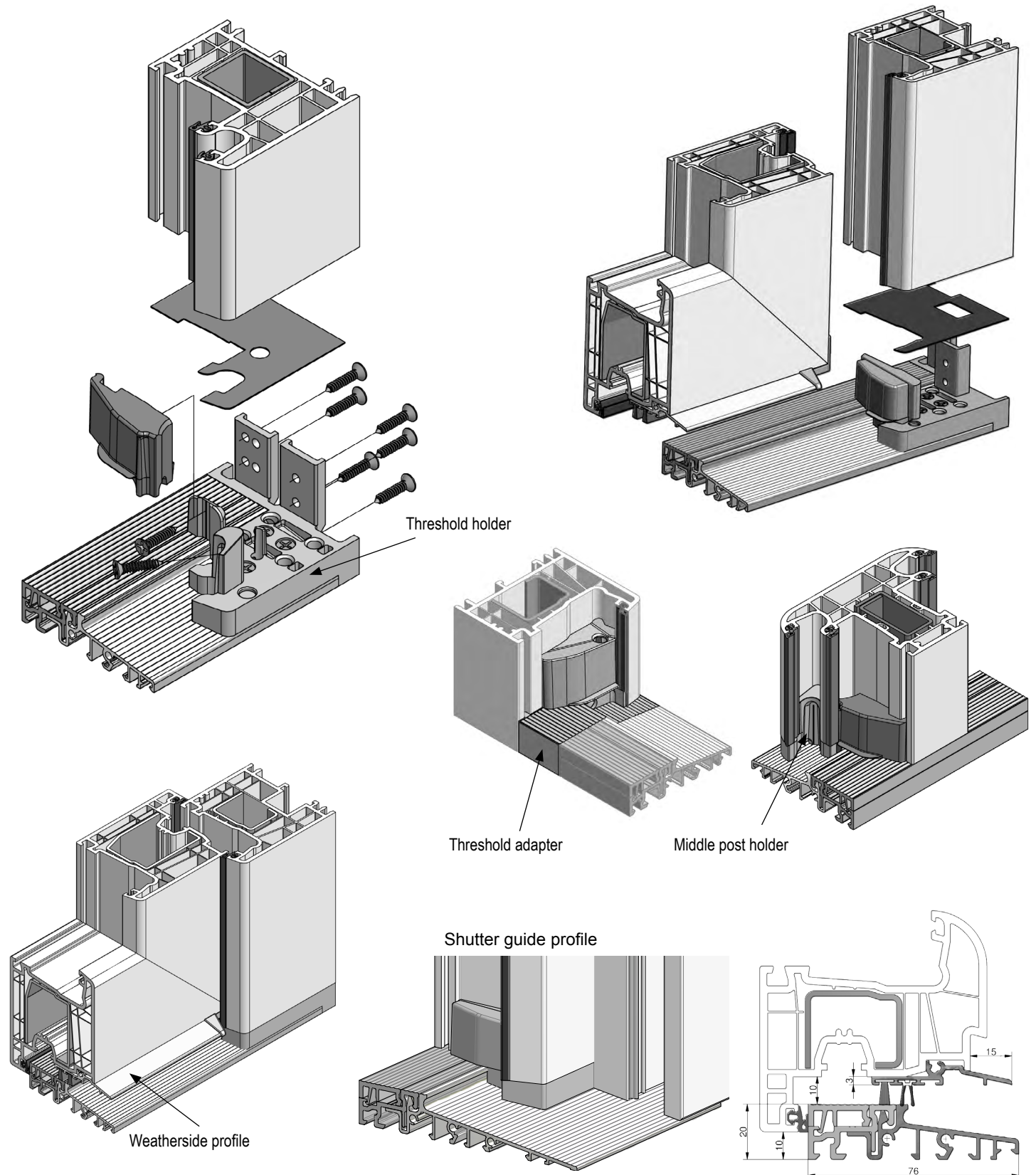
Middle post holder (MH...) made from plastic inc. recess seal block und threshold seal					
Article Nr	Colour	Profile	Profile Nr	Width	Pieces
MH54-0402g	grey	MD73	HP401, HP402, HP412	102mm	20

HP401 with reinforcement VS401 (15x50x2,5mm)

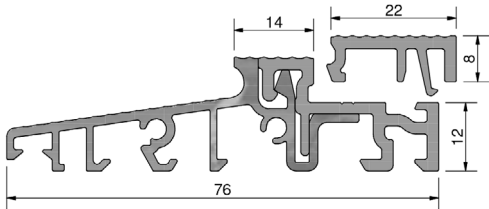
HP402 with reinforcement VS402 (15x40x2mm)

HP412 with reinforcement 45x20x2mm / 25x25x1,5mm

Threshold System COMBI fitting to SALAMANDER Streamline / 3D

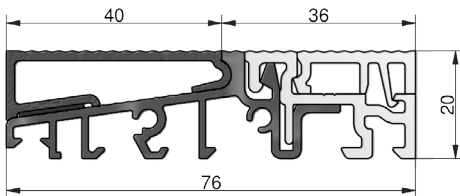
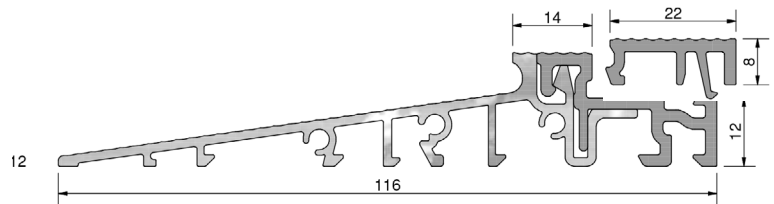


Threshold System COMBI fitting to SALAMANDER Streamline / 3D



Aluminium PVC Threshold 76mm depth - without thermal bridge, 76x20x4500mm EV1 anodised, PVC grey, Fluted, with protective foil			
Article Nr.	Fitting to Threshold packer:	Remarks	Meter
TS57612-FL	TSUK4135, TSUK4180, TSUK5049 (All Versions), TSUK6230/RC, TSUK6265/RC, TSAP... SALAMANDER 406176, 416155, 416165, MENKE 810	Lose strike plate strip	36

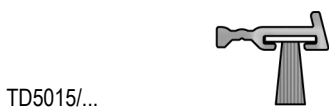
Aluminium PVC Threshold 116mm depth - without thermal bridge, 116x20x4500mm EV1 anodised, PVC grey, Fluted, with protective foil			
Article Nr.	Fitting to Threshold packer:	Comments	Meter
TS511612-FL	TSUK4135, TSUK4180, TSUK5049 (All Versions), TSUK6230/RC, TSUK6265/RC, TSAP...	Lose strike plate strip	27



Aluminium adapter profile for outward opening doors		
Article Nr.	Fitting to threshold	Meter
TSA5761/SK	TS57612, TS67612	50



Protective cover for Thresholds, 980mm long, PVC grey		
Article Nr.	Fitting to threshold	Pieces
TSAD5180	All Thresholds „Combi“ 73mm, 76mm, 80mm	30



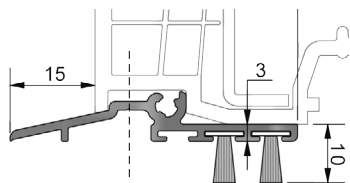
TD5015/...

Door seal for outward opening, with one brush pile seal, 1950m long			
Article Nr.	Colour	Profile	Pieces
TD5015/...*	EV1		25

* Please Specify the required seals!

Threshold system COMBI fitting to SALAMANDER Streamline / 3D

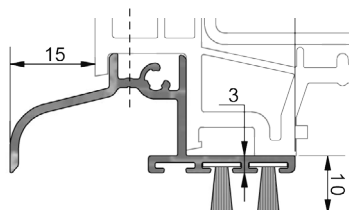
WSA5801/...



Weatherside profile, with 2 or optional 3 seals, 1950mm long			
Article Nr.	Colour	Profile	Pieces
WSA5801/...*/...*	EV1 anodised	Streamline	25

* Please specify the required seals!

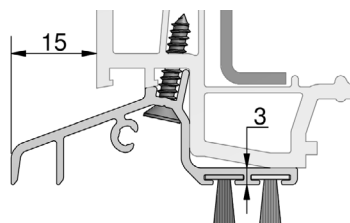
WSA5802/...



Weatherside profile, with 2 or optional 3 seals, 1950mm long			
Article Nr.	Colour	Profile	Pieces
WSA5802/...*/...*	EV1 anodised	3D	25

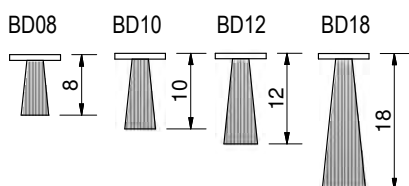
* Please specify the required seals!

WSA5803/...



Weatherside profile, with 2 seals, 1950mm long			
Article Nr.	Colour	Profile	Pieces
WSA5803/...*/...*	EV1	MD76	25

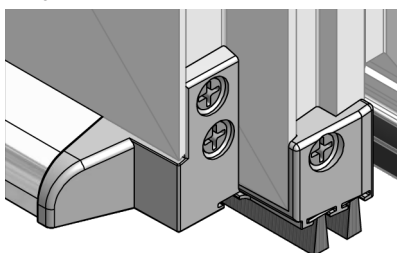
* Please specify the required seals!



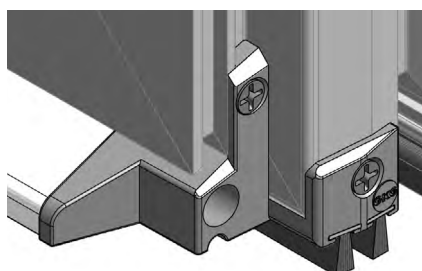
Brush pile seals, 1100mm long			
Article Nr.	Material	Height	Pieces
BD8	Brush	8mm	100
BD10	Brush	10mm	100
BD12	Brush	12mm	100
BD18	Brush	18mm	100

*Only available together with GKG Weatherside profile or holder

EKW5802g

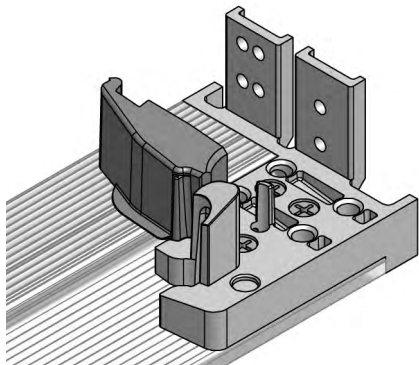


EKW5803g



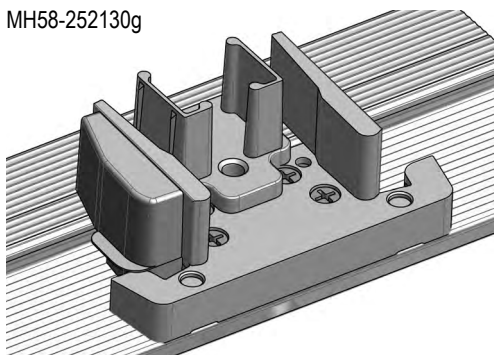
End cap pairs for weatherside profile				
Article Nr.	Colour	Fitting to WSA...	Profile	Pair
EKW5801g	grey	5801	Streamline	50
EKW5802g	grey	5802	3D	50
EKW5803g	grey	5803	Streamline MD	50

Threshold system COMBI fitting to SALAMANDER Streamline / 3D



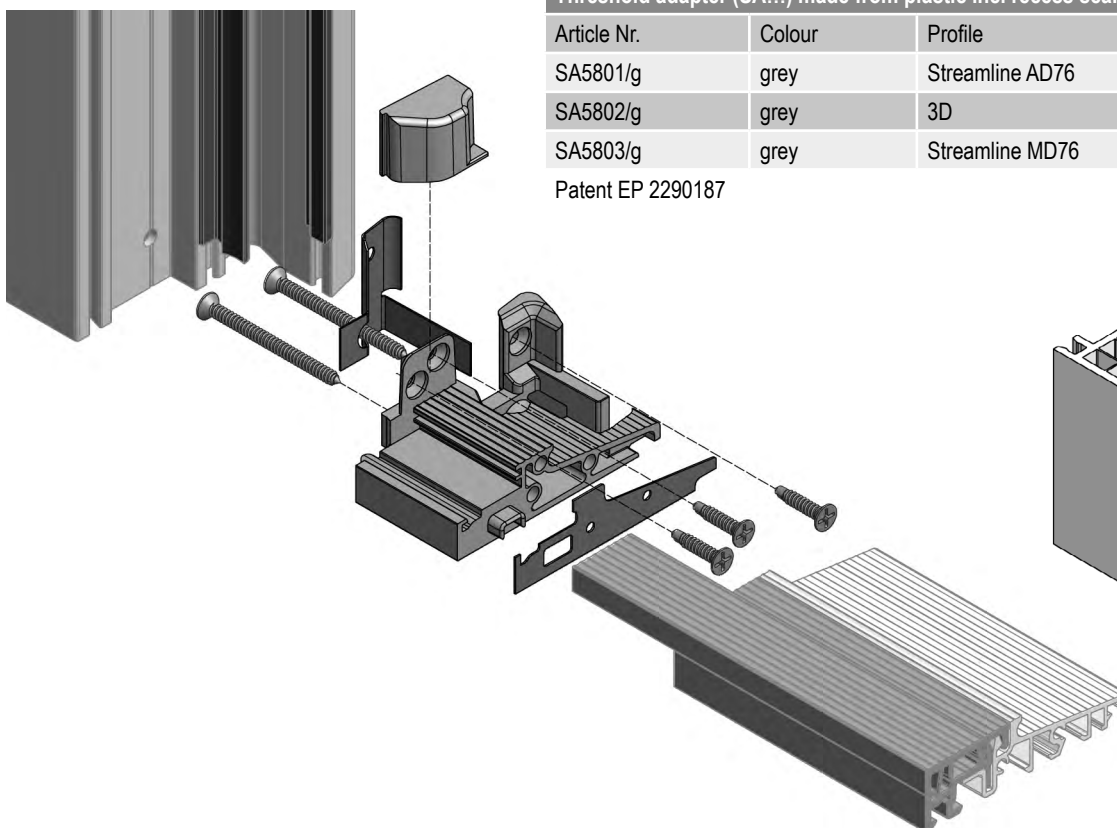
Threshold holder (SH...) made from plastic inc. recess seal block und threshold seal				
Article Nr.	Colour	Profile	Profile Nr	Pair
SH58-250220g	grey	Streamline	250220	20
SH58-250230g	grey	Streamline	250230	20
SH58-112220g	grey	3D	112220	20
SH58-112225g	grey	3D/15°	112225	20

MH58-252130g



Middle post holder (MH...) made from plastic inc. recess seal block und threshold seal				
Article Nr.	Colour	Profile	Profile Nr	Pieces
MH58-252120g	grey	Streamline	252120	20
MH58-252130g	grey	Streamline	252130	20
MH58-112220g	grey	3D	112220	20
MH58-112225g	grey	3D/15°	112225	20

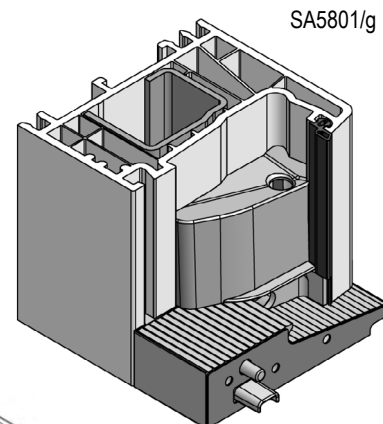
SA5803/g



Threshold adapter (SA...) made from plastic inc. recess seal block und threshold seal			
Article Nr.	Colour	Profile	Pair
SA5801/g	grey	Streamline AD76	20
SA5802/g	grey	3D	20
SA5803/g	grey	Streamline MD76	20

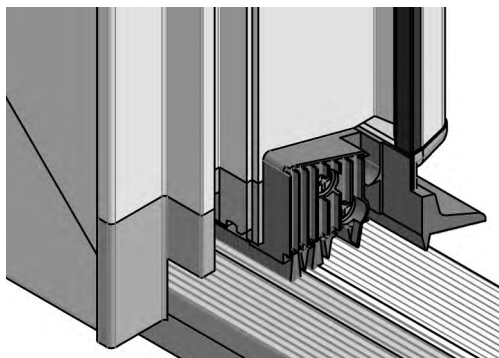
Patent EP 2290187

SA5801/g



Threshold system COMBI fitting to SALAMANDER Streamline / 3D

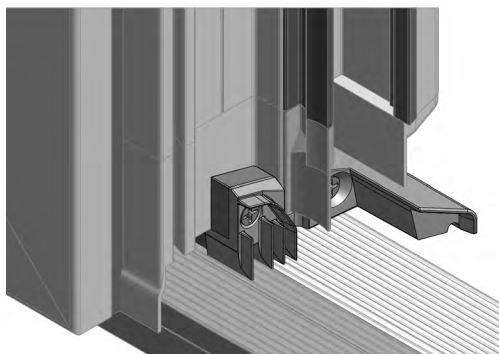
STK58-256030g/...



French door end caps (STK...) fitting to SALAMANDER Streamline 76 AD					
Article Nr.	Colour	Profile	Profile Nr	DIN	Pieces
STK58-256030g/left	grey	Streamline	256020, 256030	left	10
STK58-256030g/right	grey	Streamline	256020, 256030	right	10

*Patented French door seal, Patent Nr. EP 2 290 187

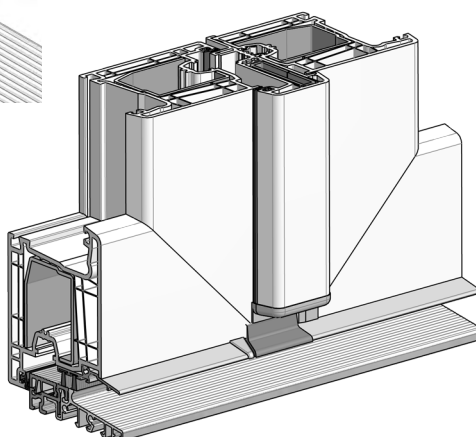
STK5830g/...



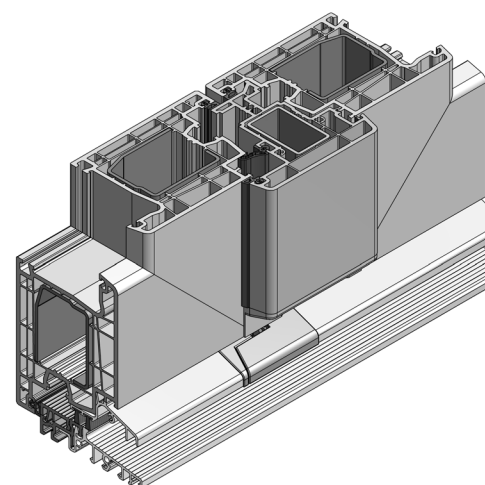
French door end caps (STK...) fitting to SALAMANDER Streamline 76 MD					
Article Nr.	Colour	Profile	Profile Nr.	DIN	Pieces
STK5830g/left	grey	MD76	136030	left	10
STK5830g/right	grey	MD76	136030	right	10
STK5831g/left	grey	MD76	136031	left	10
STK5831g/right	grey	MD76	136031	right	10

*Patented French door seal, Patent Nr. EP 2 290 187

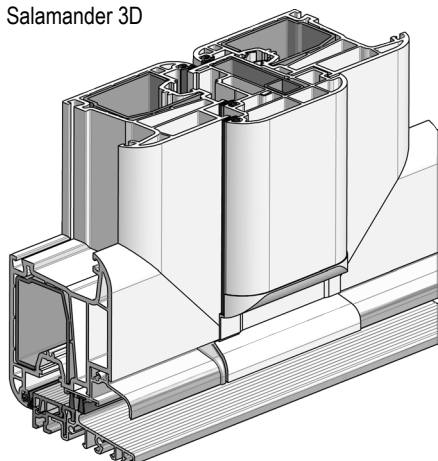
Streamline 76 AD



Streamline 76 MD



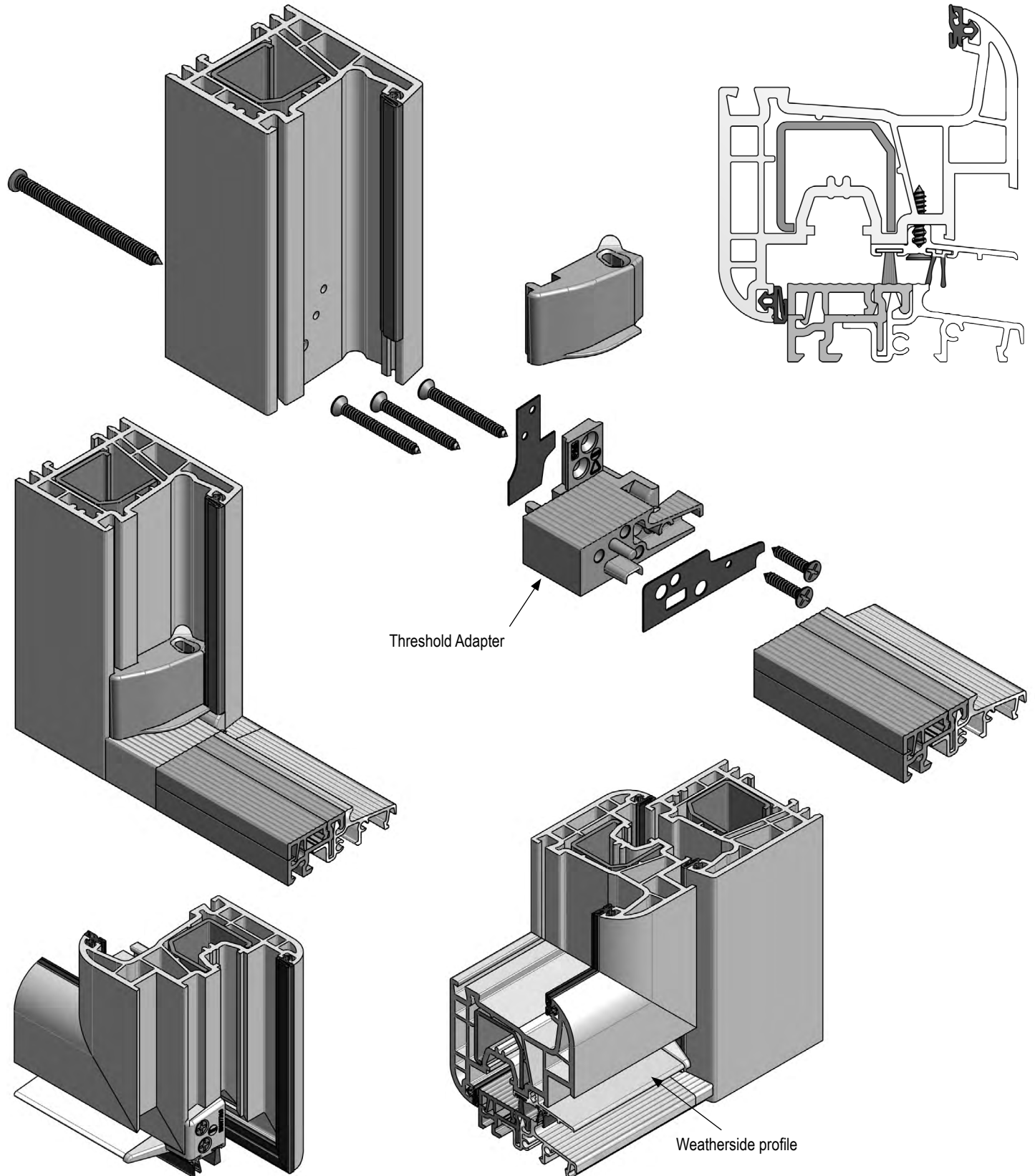
Salamander 3D



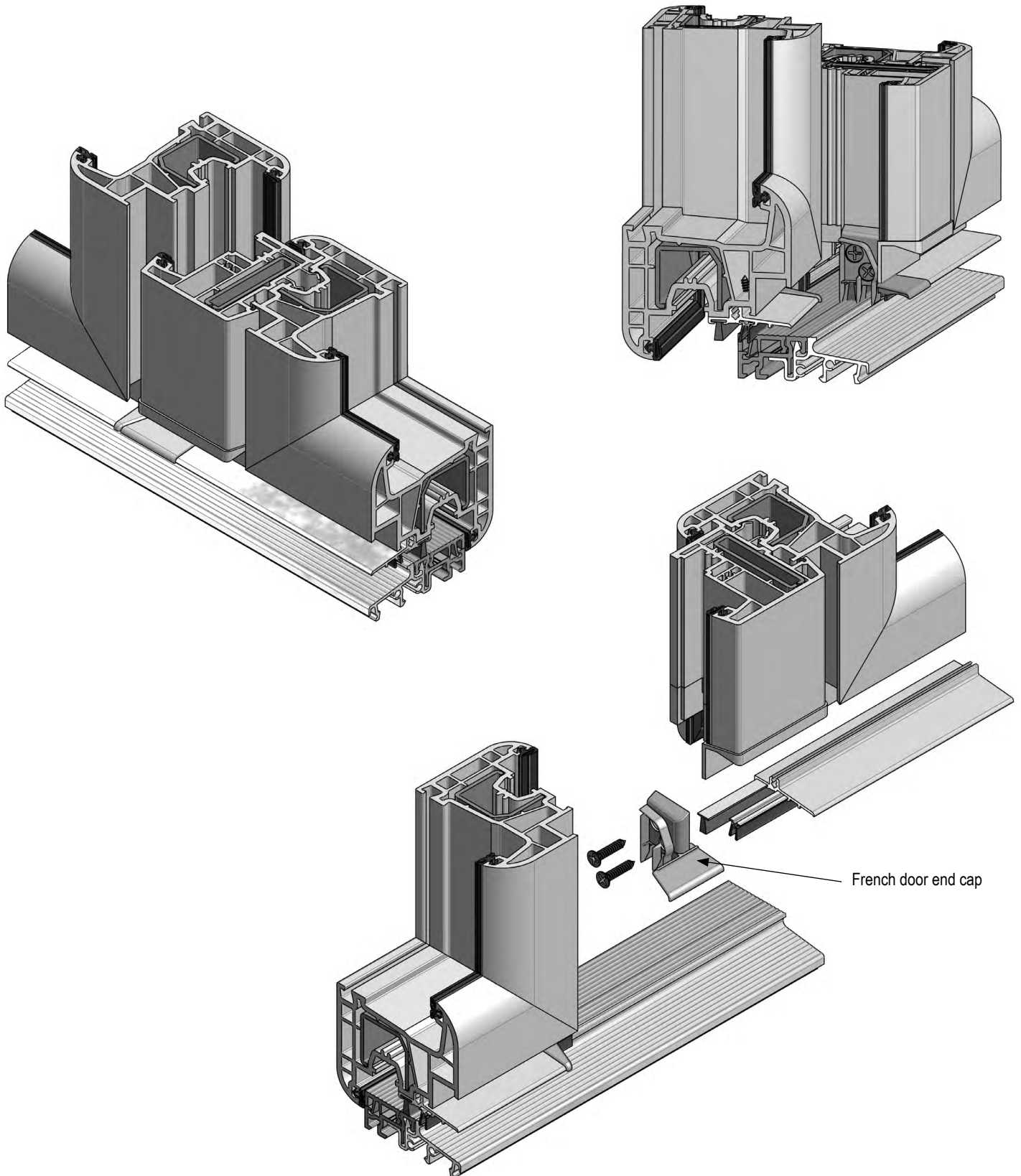
French door end caps (STK...) fitting to SALAMANDER 3D					
Article Nr.	Colour	Profile	Profile Nr	DIN	Pieces
STK58-116035g/left	grey	3D	116035	left	10
STK58-116035g/right	grey	3D	116035	right	10

*Patented French door seal, Patent Nr. EP 2 290 187

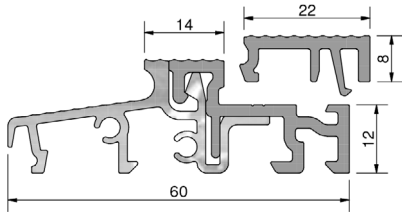
Threshold system COMBI fitting to SALAMANDER 2D



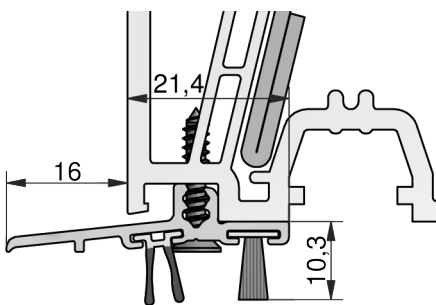
Threshold System COMBI fitting to SALAMANDER 2D



Threshold system COMBI fitting to SALAMANDER 2D

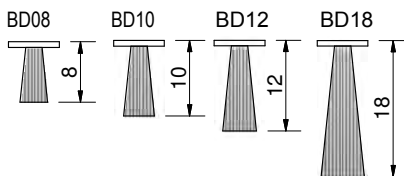


Aluminium-PVC-Threshold 60mm Depth - without thermal bridge, with strike plate strip, Size: 60x20x4500mm, EV1 Anodised, PVC Grey, fluted with protective foil			
Article Nr.	matching packer::	Comments	Meter
TS56012-FL	TSUK4135, TSUK4180, TSUK41130, TSUK5049 (all models.), TSAP...	Lose strike plate strip	36



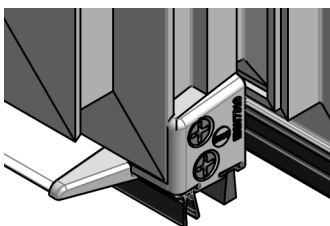
Weatherside profile, with 2 or optional 3 seals, 1950mm long			
Article Nr.	Colour	Profile	Pieces
WSA7310/...*/...*	EV1	2D	25

* Please give the required Brush pile for the air gap



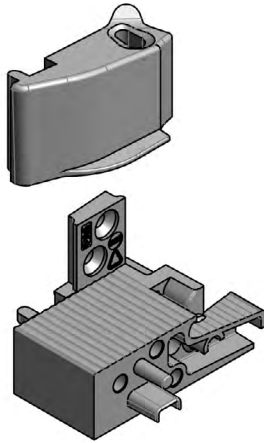
Brush pile seals, 1100mm long			
Article Nr.	Material	Height	Pieces
BD08	Brush pile	8mm	100
BD10	Brush pile	10mm	100
BD12	Brush pile	12mm	100
BD18	Brush pile	18mm	100

*Only available together with GKG Weatherside profile or holder



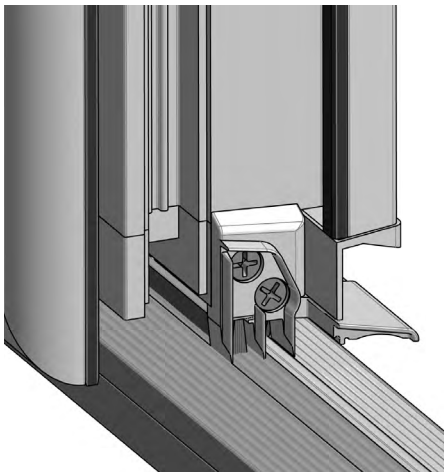
End cap pair fitting to Weatherside profile				
Article Nr.	Colour	WSA...	Profile	Pair
EKW7310g	grey	7310	2D	50

Threshold System COMBI fitting to SALAMANDER 2D



Threshold adapter (SA...) made from plastic inc. recess seal block und threshold seal			
Article Nr..	Colour	Profile	Pair
SA7360/g	grey	2D	20

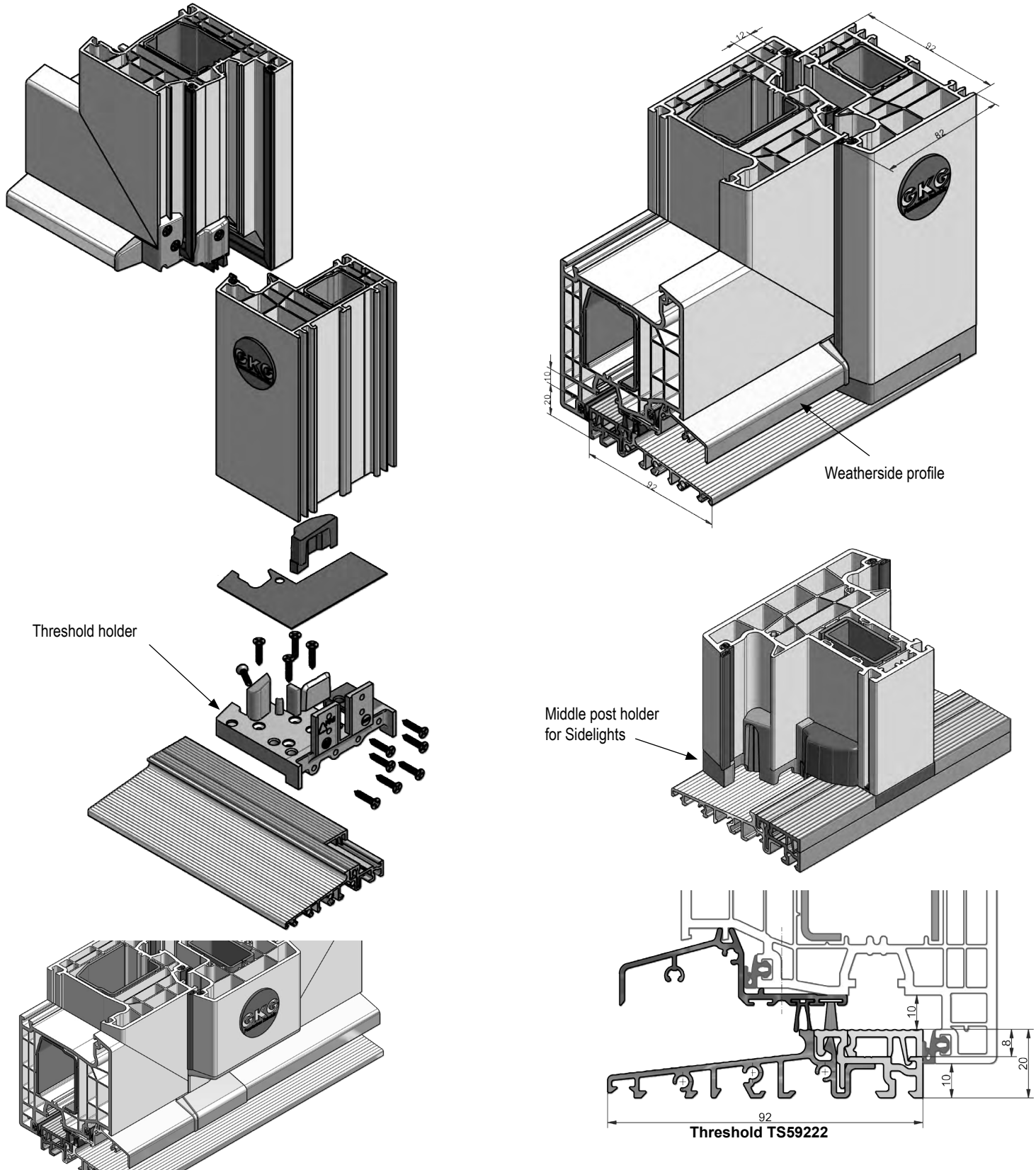
Patent EP 2290187



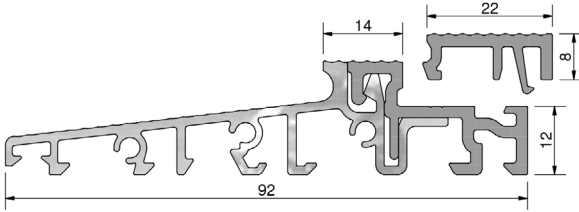
French door end caps (STK...)					
Article Nr..	Colour	Profile	profile	DIN	Pieces
STK7320/left	grey	2D	216030	links	10
STK7320/right	grey	2D	216030	rechts	10

*Patented French door seal, Patent Nr. EP 2 290 187

Threshold System COMBI fitting to bluEvolution 92

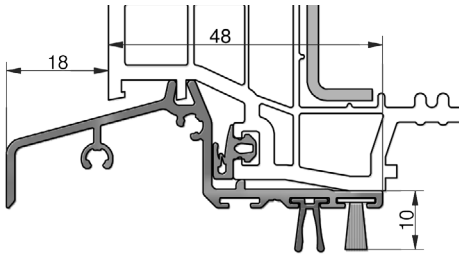


Threshold system COMBI fitting to bluEvolution 92



Aluminium PVC Threshold 92mm depth - without thermal bridge, 92x20x4500mm EV1 anodised, PVC grey, Fluted, with protective foil

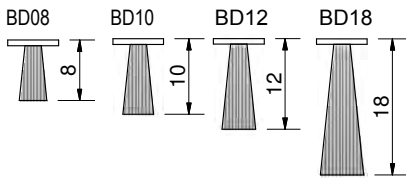
Article Nr	Fitting threshold packer:	Remarks	Meter
TS59222-FL	TSUK6230/RC, TSUK6265/RC TSUK4135, TSUK4180 TSUK5049 (All versions), TSUK41130 Salamander 76mm Packer	Lose strike plate strip	27



Weatherside profile, with 2 or optional 3 seals, 1950mm long

Article Nr	Colour	Profile	Pieces
WSA6601/...*/...*	EV1	bluEvolution 92	25

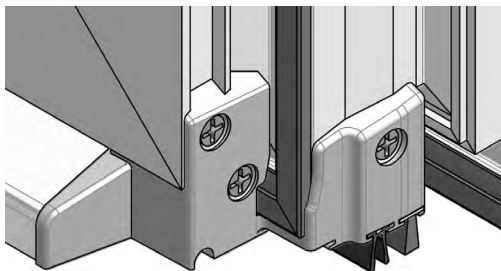
* Please specify the required seals!



Available brush pile*, 1100mm long

Article Nr.	Material	Height	Pieces
BD8	Brush pile	8mm	100
BD10	Brush pile	10mm	100
BD12	Brush pile	12mm	100
BD18	Brush pile	18mm	100

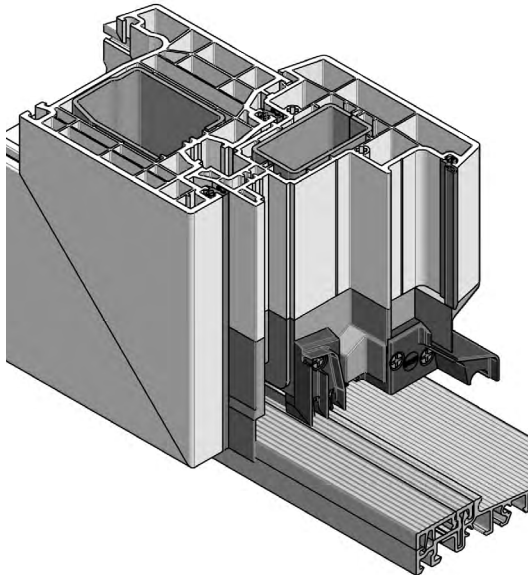
*Only available together with GKG Weatherside profile or holder.



End cap pairs for weatherside profile

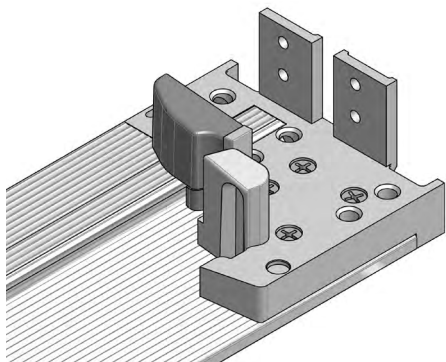
Article Nr	Colour	WSA...	Profile	Pieces
EKW6601g	grey	6601	bluEvolution 92	50

Threshold System COMBI fitting to bluEvolution 92

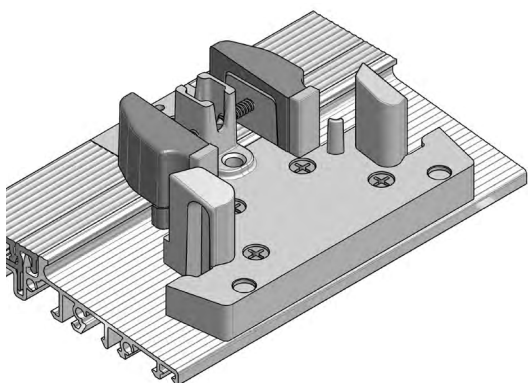


French door end caps (STK...)					
Article Nr	Colour	Profile	profile Nr	DIN	Pieces
STK6601/left	grey	bluEvolution	176030	left	10
STK6601/right	grey	bluEvolution	176030	right	10

*Patented French door seal, Patent Nr. EP 2 290 187

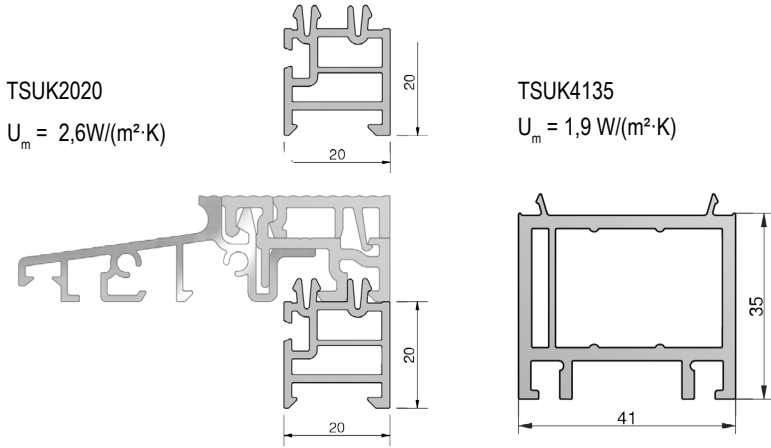


Threshold holder (SH...) made from plastic inc. recess seal block and threshold seal				
Article Nr	Colour	Profile	Profile Nr	Pair
SH66-170420g	grey	bluEvolution	170420	20
SH66-170430g	grey	bluEvolution	170430	20



Middle post holder (MH...) made from plastic inc. recess seal block and threshold seal				
Article Nr..	Colour	Profile	Profile Nr	Pieces
MH66-172420g	grey	bluEvolution	172420	20

Threshold packers fitting to Threshold Systems COMBI, COMBI PLUS & BASIC

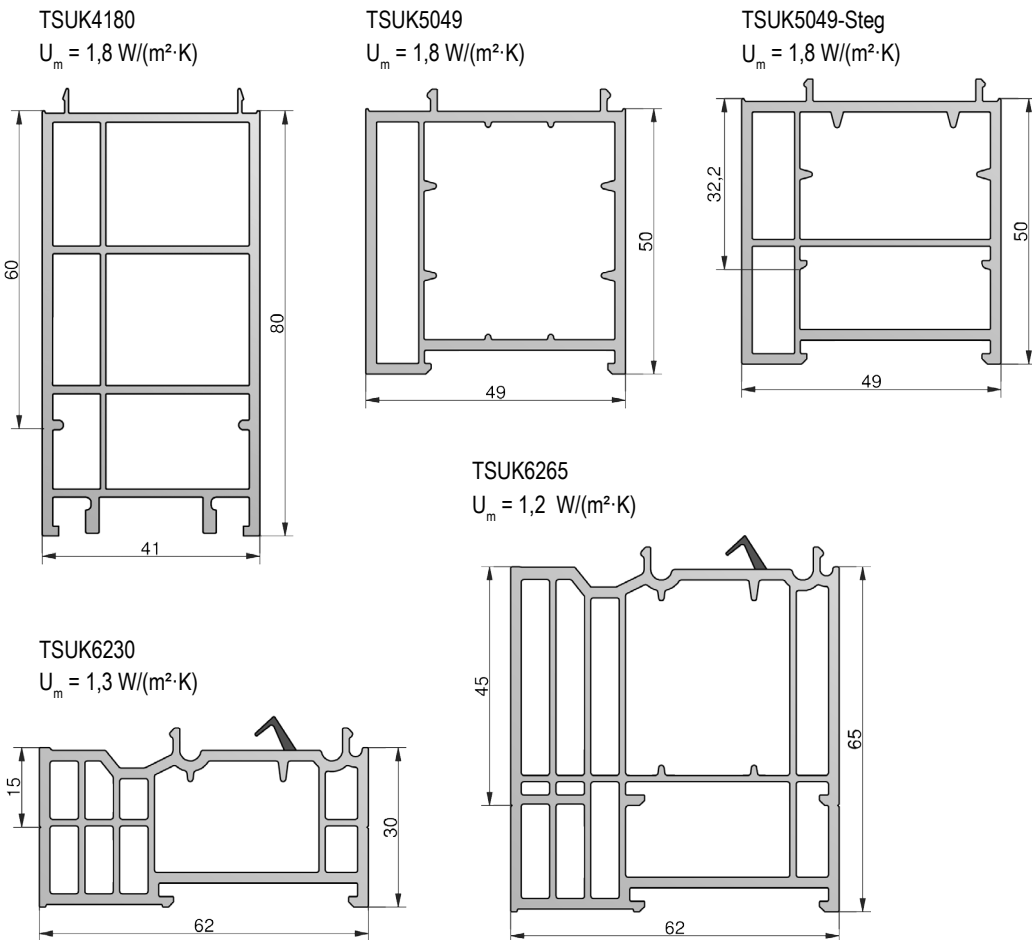


PVC-Threshold packers, clip fitting, 4500mm Fitting all Thresholds apart from TS57032			
Article Nr.	Colour	Size	Meter
TSUK2020	light grey	20x20mm	45
TSUK4135	light grey	41x35mm	45
TSUK4180	light grey	41x80mm	45
TSUK5049	light grey	49x50mm	45
TSUK5049/Steg	light grey	49x50mm	45
TSUK6230/RC*	grey	62x30mm	36
TSUK6265/RC*	grey	62x65mm	36

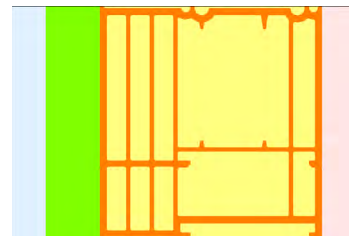
*RC = Recycling material grey

Can also be cut!
The size on the Left of each packer is where the ideal palce is to cut.

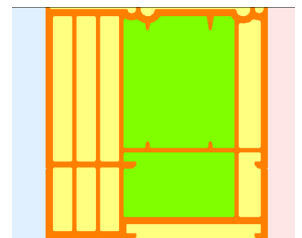
Improved U-Values through insulation:



Example of use:
TSUK6265 with 15mm
Insulation PUR 030
 $U_m = 0,747 W/(m^2 \cdot K)$
Total width: 77mm

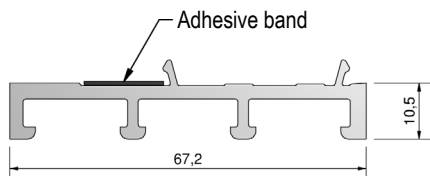


Example of use:
TSUK6265 with 2 foamed
cavities PUR 030
 $U_m = 0,781 W/(m^2 \cdot K)$
Total width: 62mm



U_m = Middle U-Value
further Information
on request!

Threshold packers fitting to Threshold System COMBI & COMBI PLUS



TSAP1067g

Adapter profile (TSAP...) PVC, with adhesive band, Length: 4500mm for Threshold packer TSUK68-30 / TSUK68-100 / TSUK68-150

Article Nr.	Colour	Size	Meter
TSAP1067g	light grey RAL7035	68x10,5mm	45

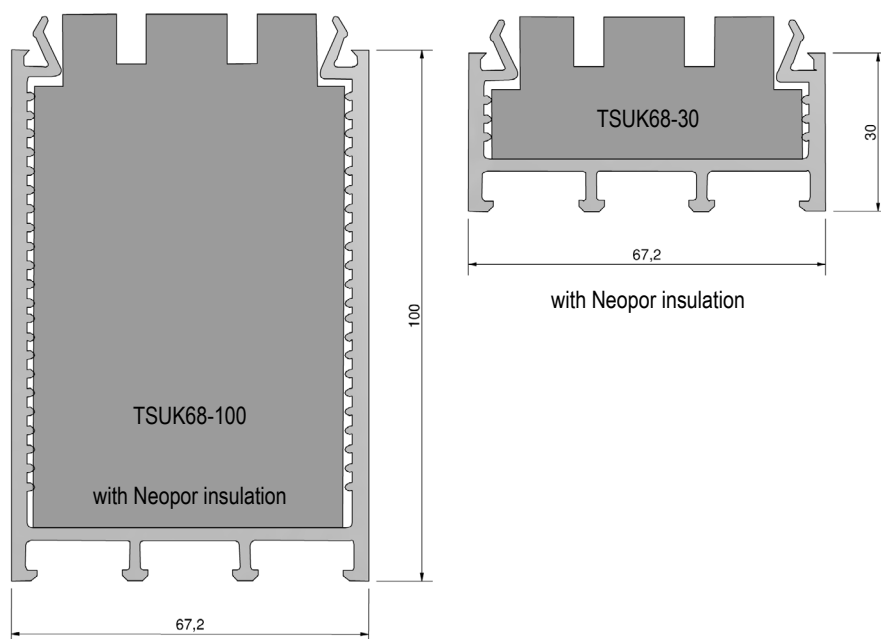
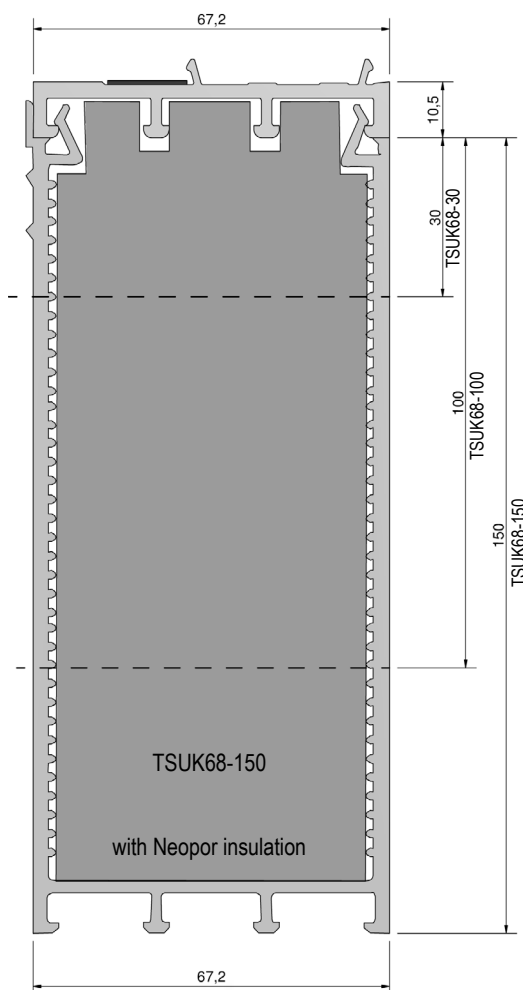
Threshold packer (TSUK68...)* PVC with Neopor insulation center, possible use with passive houses (U-Value < 0,85) Length: 4500mm, Clip fitting with GKG Adapter profile TSAP1067

Article Nr.	Colour	Size	Meter
TSUK68-30	RC Grey**	67,2x30mm	9
TSUK68-100	RC Grey**	67,2x100mm	9
TSUK68-150	RC Grey**	67,2x150mm	9

* only on request and only for use with GKG Adapterprofil TSAP1067!

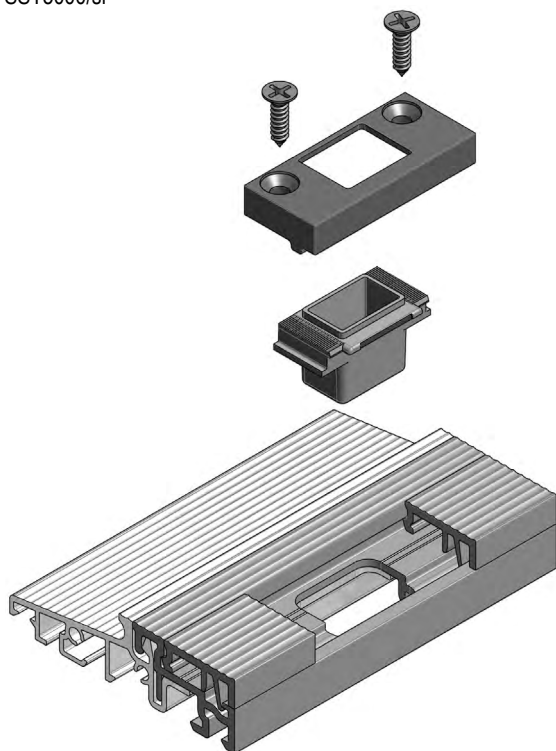
**Recycling material grey with extruded white surface.

TSAP1067g mit TSUK68-150



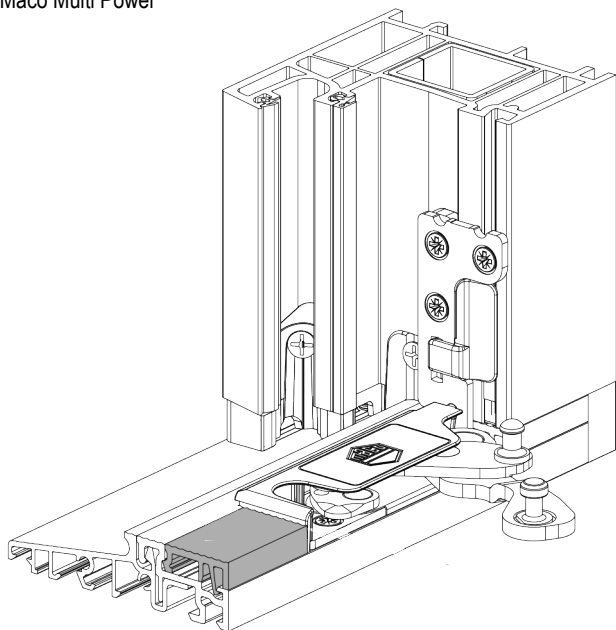
Door fitting accessories for Threshold System COMBI & COMBI PLUS

SST5000/si



GKG Strike plate (SST...) for Shootbolts, 2-piece, adjustable for french doors fitting to Threshold systems COMBI und COMBI PLUS Right + Left .				
Article Nr.	Colour	Comments	Strike plate strip	Pieces
SST5000/si.	Silver	for shoot bolts up to Ø10mm	22mm	20
SST5012/si.	Silver	for shoot bolts up to Ø12mm	22mm	20
SST502400/si.	Silver	for shoot bolts up to Ø10mm	24mm	20
SST502412/si.	Silver	for shoot bolts up to Ø12mm	24mm	20

Maco Multi Power

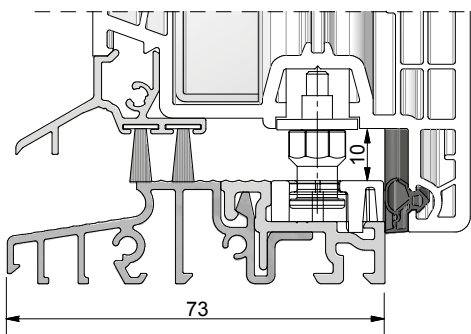
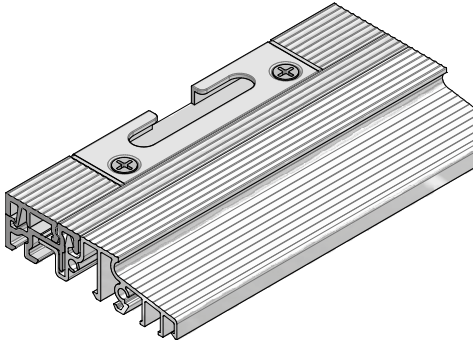


Maco Multi Power, Concealed fittings corner and scissor with hinge Fitting Threshold System COMBI and COMBI PLUS	
Article Nr.	Description
369939	Underlay for GKG-Threshold adaptation COMBI and COMBI Plus (Horizontal)
System-dependent*	Underlay for profile adjustment (Vertical)*
227286	Pivot post Right
227287	Pivot post Left
364498	Cover for pivot post Right
364499	Cover for pivot post Left
215804	Corner support Right
215805	Corner support Left
368390	Attachment for corner support

*Please contact MAYER & CO Beschläge GmbH, Salzburg to check suitability with your profile system. All statements without guarantee.

Door fitting accessories for Threshold System COMBI & COMBI PLUS

Threshold COMBI with thermally separated strike plate strip for use with door fittings:



Maco	
Scissor stay	368056 (Right+Left) 367270 Tilt first (Right) 367271 Tilt first (Left)
Multi-Matic	209882 centre lock extendable MM 1280V 209883 centre lock extendable MM 1500V 209881 corner element MM for threshold
Multi-Trend	210111 Center lock extendable 125mm 210112 Center lock extendable 528mm 210113 Center lock extendable 828mm

All statements without guarantee.

Roto		
Scissor stay hinge	ST. Bodenschwelle MFT BA13	Nr. 490941
Scissor stay hinge	SET KIPPL K ST+ULAG BS BKV82 TB RAL7035	Nr. 622540 (light grey)
Scissor stay hinge	SET KIPPL. K. ST+ULAG BS BKV 82 TB R06.2	Nr. 622539 (black)
Corner element	ECUML.DK.1V-VERLÄNGERT NT	Nr. 566650
Corner element	ECUML.1V-VERLÄNGERT NT	Nr. 614456
Center lock	MV400 1V-VERLÄNGERT NT	Nr. 566651
Center lock	MV200 1V-VERLÄNGERT KB NT	Nr. 618552
Center lock	MV600 1V-VERLÄNGERT KB NT	Nr. 618553
Center lock	MV400 1V-VERLÄNGERT KB NT	Nr. 618554
Extended Jams	V-Zapfen verlängert mit 6 Kant	Nr. 487398

All statements without guarantee.

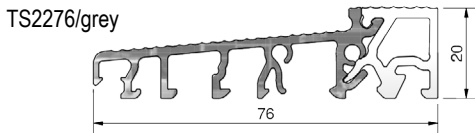
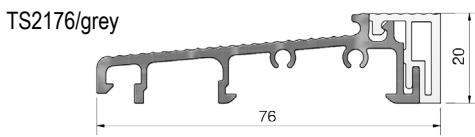
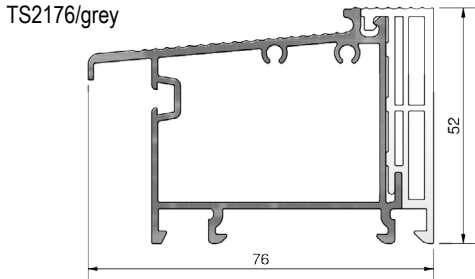
Siegenia/Aubi		
Scissor stay hinge	SL-S FH A3520 TS	FRKU 0070-100010
Verriegelung	VSU/K 1S A0273 TS	TEVR1380-100011
Extension piece	US Gr.1 1S A0273 TS	TZUS1090-100011
Corner element	VSU S-ES FH 13mm A0273 TS	FEUL1230-100010
Center lock	Gr.50 S-ES TS	FVZL0080-100010

All statements without guarantee.

Winkhaus		
Scissor stay	SBK.K.10.BS	Nr. 2920450
Corner element	E1.BS	Nr. 4926330
Center lock	MK.500-1.BS	Nr.4926332

All statements without guarantee.

Threshold System BASIC

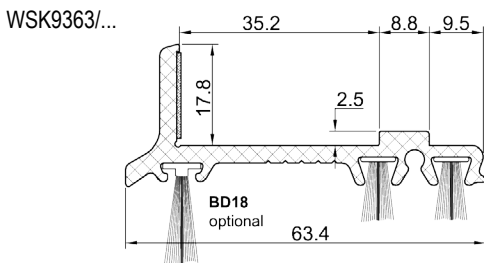
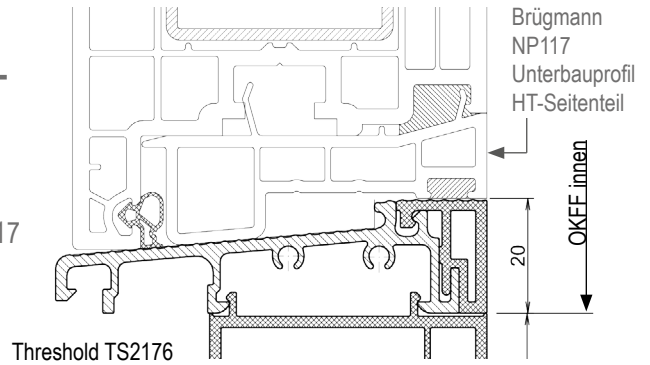


Aluminium-Threshold EV1 Anodised / PVC Grey with protective foil Depth 76mm, fluted, 4500mm long			
Article Nr..	Matching packer:	Size	Meter
TS2076/grey*	TSUK4135, TSUK4180, TSUK5049 (all models) Salamander 406175, 416155, 416165	76x52mm	27
TS2176/grey*	TSUK4135, TSUK4180, TSUK5049 (all models)	76x20mm	45
TS2276/grey	TSUK4135, TSUK4180, TSUK5049 (all models)	76x20mm	45

*upon request

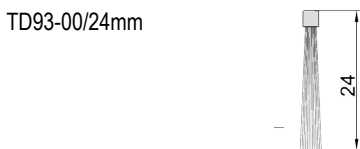
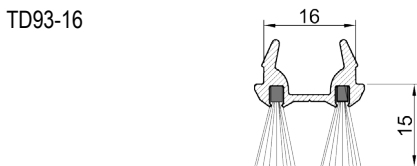
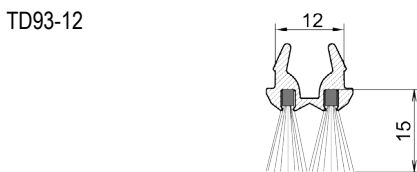
Fixed Si-delights

Threshold TS2176 for packer NP117



PVC-Weatherside profile, self adhesive with 2 pre mounted brush pile, 1100mm long				
Article Nr..	Colour	Width	Renolit/RAL	Set
WSK9363/9016	white	63mm	9016	25
WSK9363/silber	silver powder coated	63mm	9006	25
WSK9363/851805	black brown foil	63mm	851805	25

*upon request



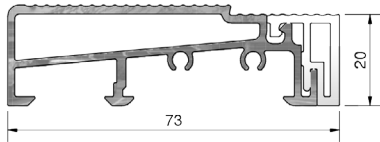
Wear free double brush seal with Aluminium holder, 1100mm long				
Article Nr..	Model	Brush height	Recess	Set
TD93-12	mit 2 Brushes	15mm	12mm	50
TD93-12/1	mit 1 Brushes	15mm	12mm	50
TD93-16	mit 2 Brushes	15mm	12mm	50
TD93-16/1	mit 1 Brushes	15mm	12mm	50

Brush seals without holder - Optional use for TD93-...				
Article Nr..		Brush height	Recess	Set
TD93-00/13mm		13mm	Black	50
TD93-00/15mm		15mm	Black	50
TD93-00/24mm		24mm	Black	50
TD93-00/28mm		28mm	Black	50
TD93-00/32mm		32mm	Black	50

Threshold System BASIC fitting to BRÜGMANN

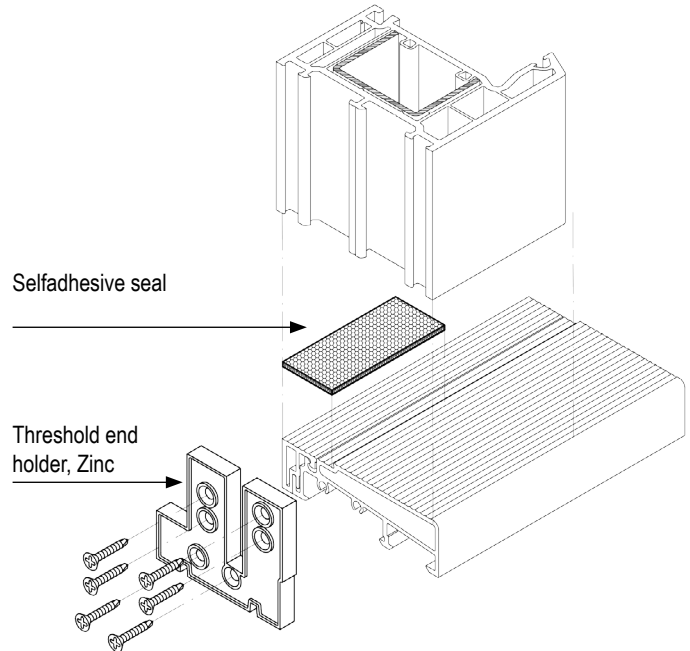
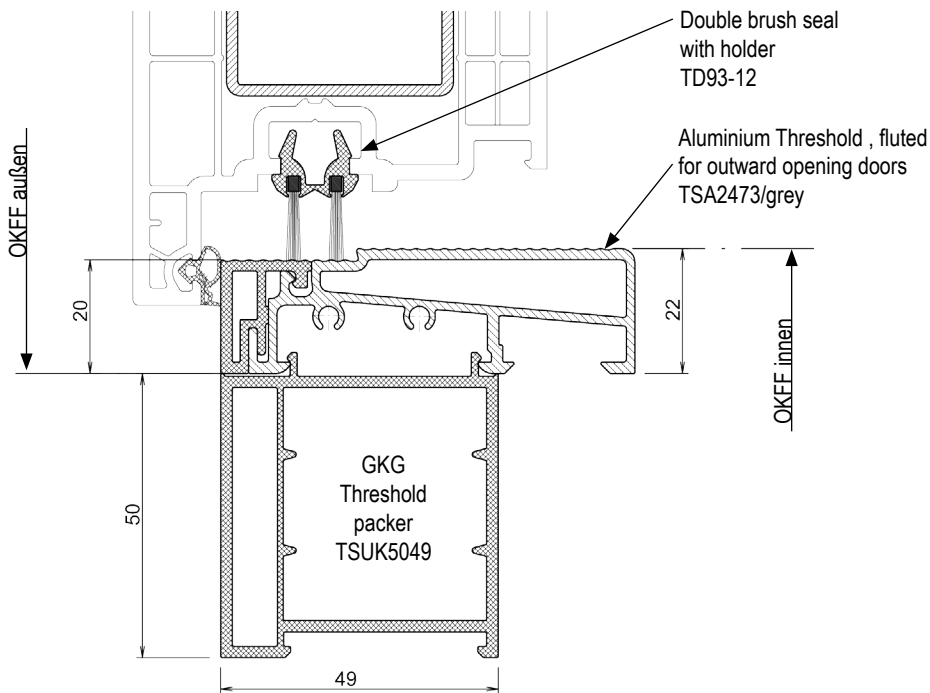
Türschwelle TSA2473 - Außen Öffnend

TSA2473/grey



Aluminium-Threshold EV1 Anodised / PVC Grey - Outward opening
Depth 73mm, 4500mm long

Article Nr..	Matching packers:	Size	Meter
TSA2473/grey	TSUK4135, TSUK5049, TSUK4180	73x22mm	45



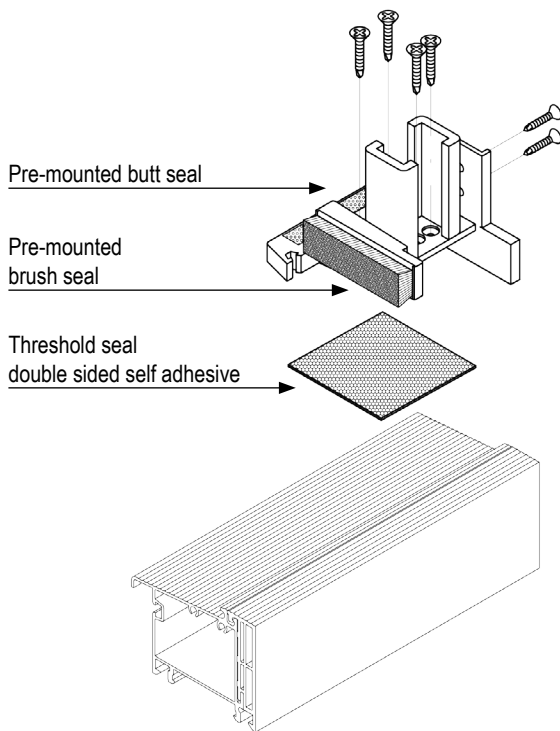
Endhalter (EH...) Die casted Zinc for outward opening doors and milled frames

Article Nr..	Profile	Colour	Pair
EH93-09*	Salamander 2D	roh	50
EH98-03*	Salamander 3D	roh	50
EH98-03/Streamline*	Salamander Streamline	roh	50
EH93-73*	Brüggmann AD73	roh	50

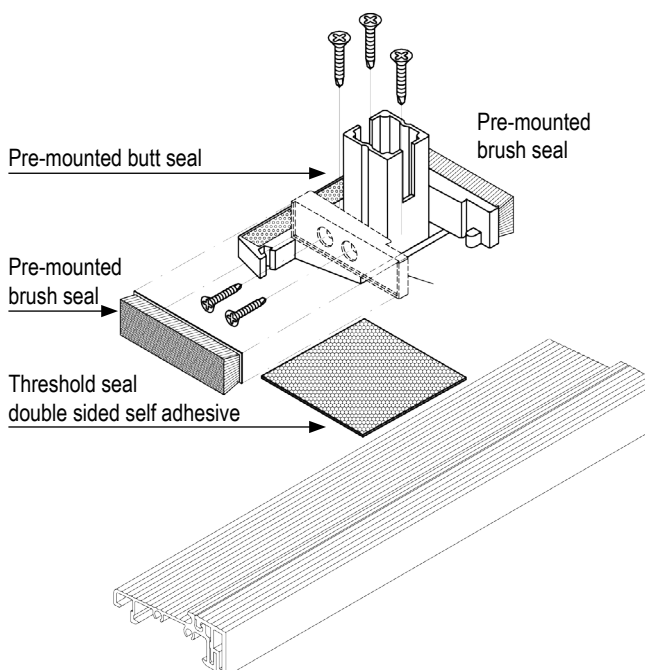
* upon request

Threshold System BASIC

Threshold holder (Frame)



Middle post holder (Mullion)



BRÜGMANN

Threshold holder (SH...) made from plastic					
Article Nr.	Colour	Profile	Profile Nr	Width	Pair
SH98-102g/g	grey	AD73	HP102	68mm	20
SH98-103g/g	grey	AD73	HP103	78mm	20
SH98-104g/g	grey	AD73	HP73	90mm	20

SALAMANDER

Threshold holder (SH...) made from plastic					
Article Nr.	Colour	Profile	Profile Nr	Width	Pair
SH94-0026g/g	grey	2D	210020	70mm	20
SH94-0030g/g	grey	2D	210030	80mm	20
SH94-220g/g	grey	Streamline	250220	68mm	20
SH94-230g/g	grey	Streamline	250230	85mm	20
SH94-110g/g	grey	3D rund	110220	80mm	20
SH94-225g/g	grey	3D 15°	110225	80mm	20

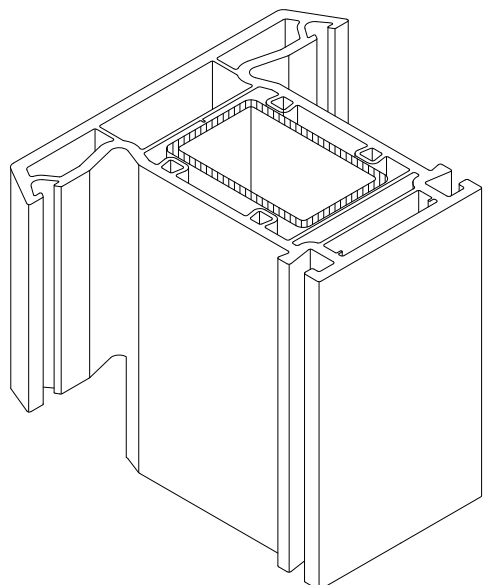
BRÜGMANN

Middle post holder (MH...) made from plastic					
Article Nr.	Colour	Profile	Profile Nr	Width	Pieces
MH98-302g/g	grey	AD73	HP302	90mm	20
MH98-303g/g	grey	AD73	HP303	102mm	20
MH98-304g/g	grey	AD73	HP304	115mm	20

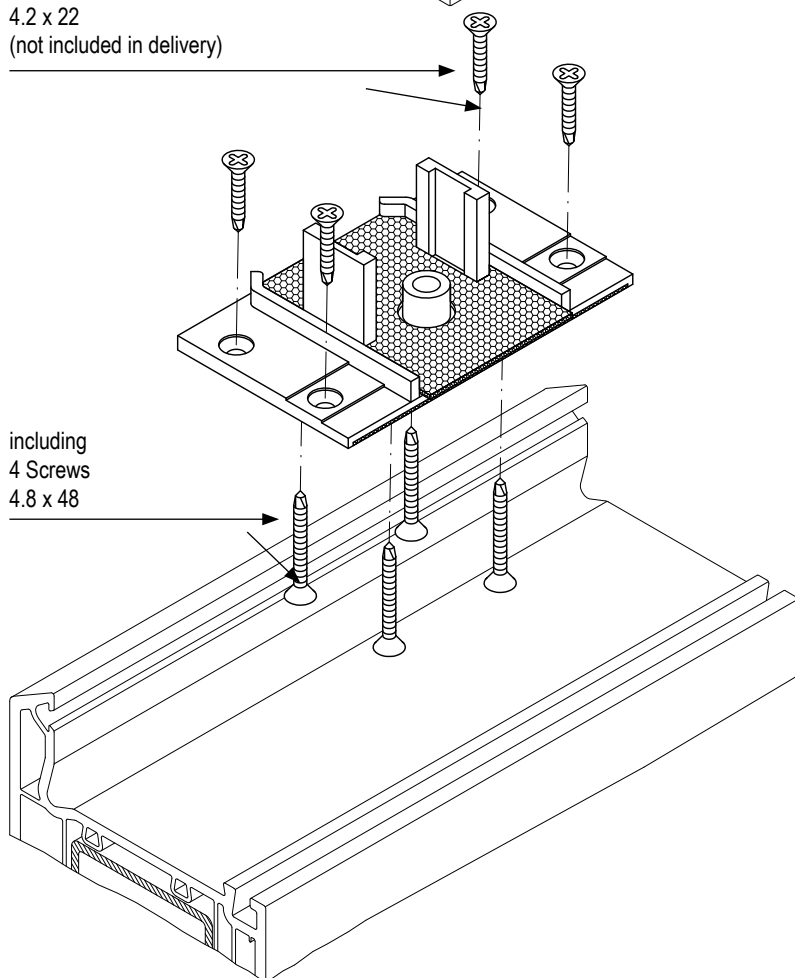
SALAMANDER

Middle post holder (MH...) made from plastic					
Article Nr.	Colour	Profile	Profile Nr	Width	Pieces
MH94-2025g/g	grey	2D	212025	82mm	20
MH94-2030g/g	grey	2D	212030	102mm	20
MH94-120g/g	grey	Streamline	252120	82mm	20
MH94-130g/g	grey	Streamline	252130	102mm	20
MH94-112g/g	grey	3D rund	112220	108mm	20
MH94-125g/g	grey	3D 15°	112125	108mm	20

Transom and Mullion connectors fitting to BRÜGMANN AD73



4 Screws
4.2 x 22
(not included in delivery)



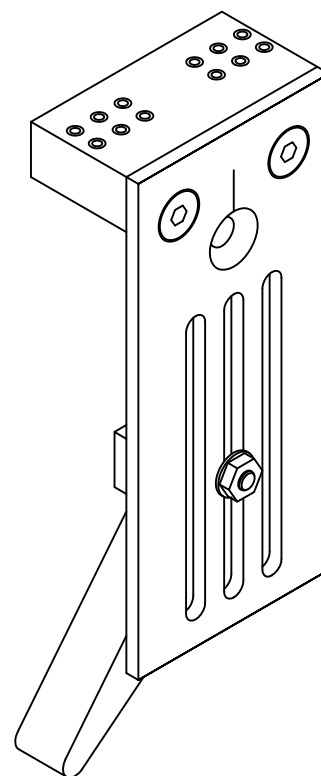
including
4 Screws
4.8 x 48

Mullion connector (K...) made out of die casted zinc with pre mounted seals, including screws

Article Nr	Colour	Profile	Profile Nr	Pieces
K300/si	silver	AD73	HP300	50
K302/si.	silver	AD73	HP301, HP302	50

Special versions / accessories:

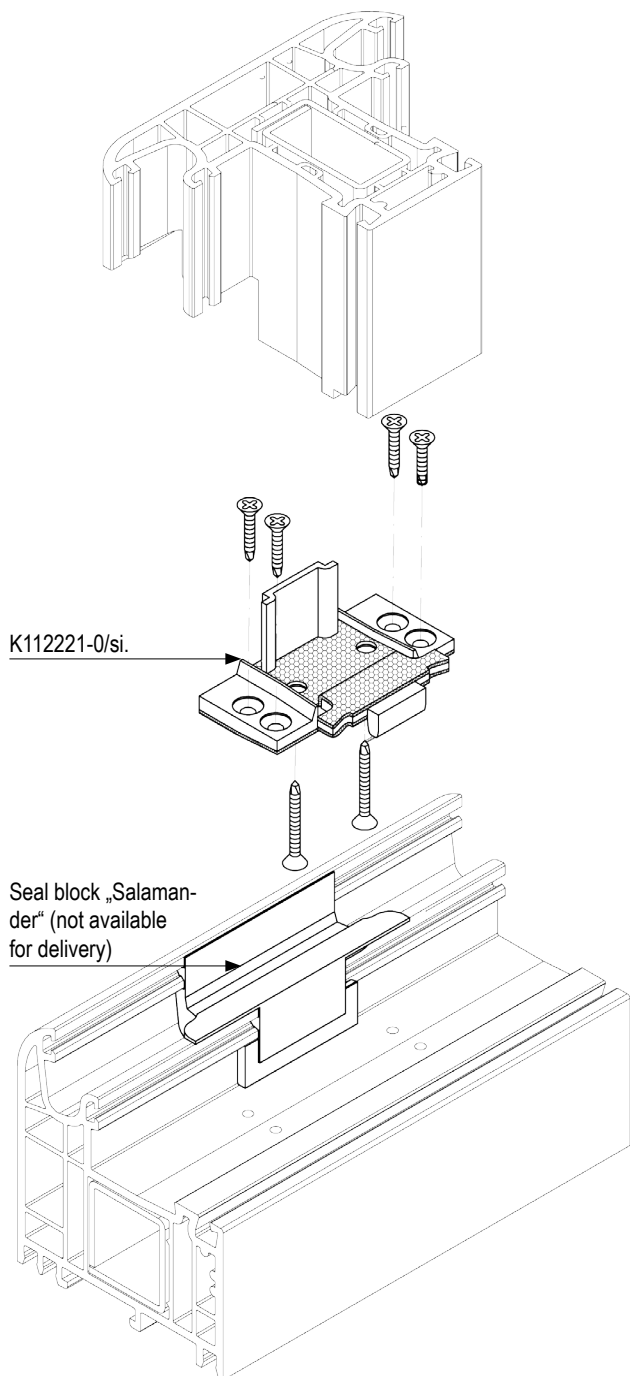
- with M6 thread
- Drilling stencil
- HM Milling head upon request



Drilling stencil with clamping lever, fix in position and pre drill 3mm holes.

Transom and Mullion connectors fitting to SALAMANDER 3D

K112221-0/si.



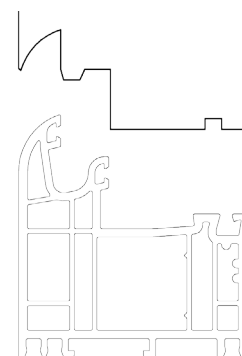
Transom and Mullion connector (K...) diecasted Zinc with pre mounted seals					
Article Nr.	Colour	Mullion	Width Mullion	Remarks	Pieces
K112221-0/si.*	silver	112220	108mm	exc seal block	100
K112221/si.*	silver	112220	108mm	inc seal block	100

* upon request

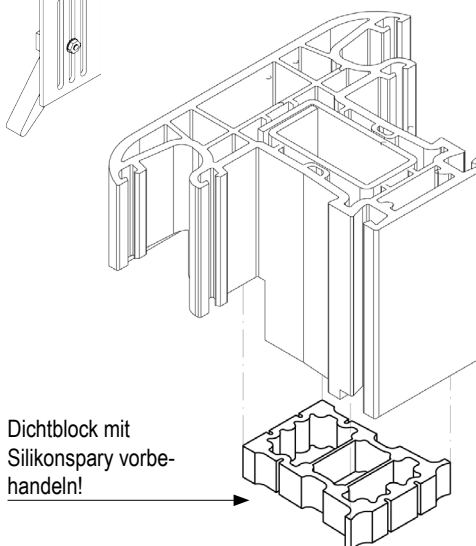
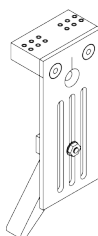
Special versions / accessories:

- Drilling stencil
- HM Milling head upon request

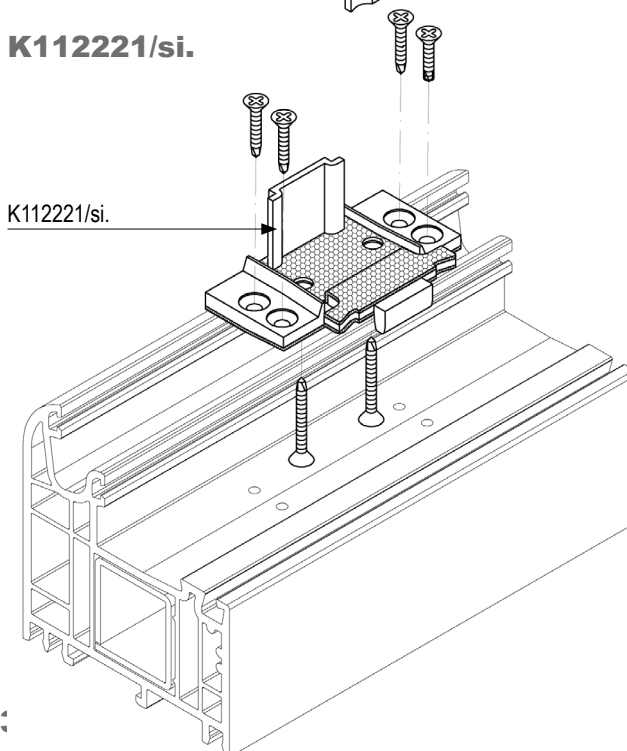
Milling 3D/A
(Salamander)



Drilling stencil



K112221/si.

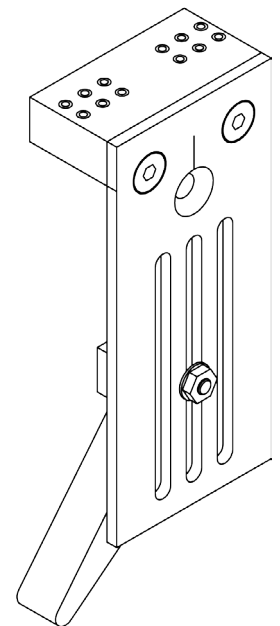
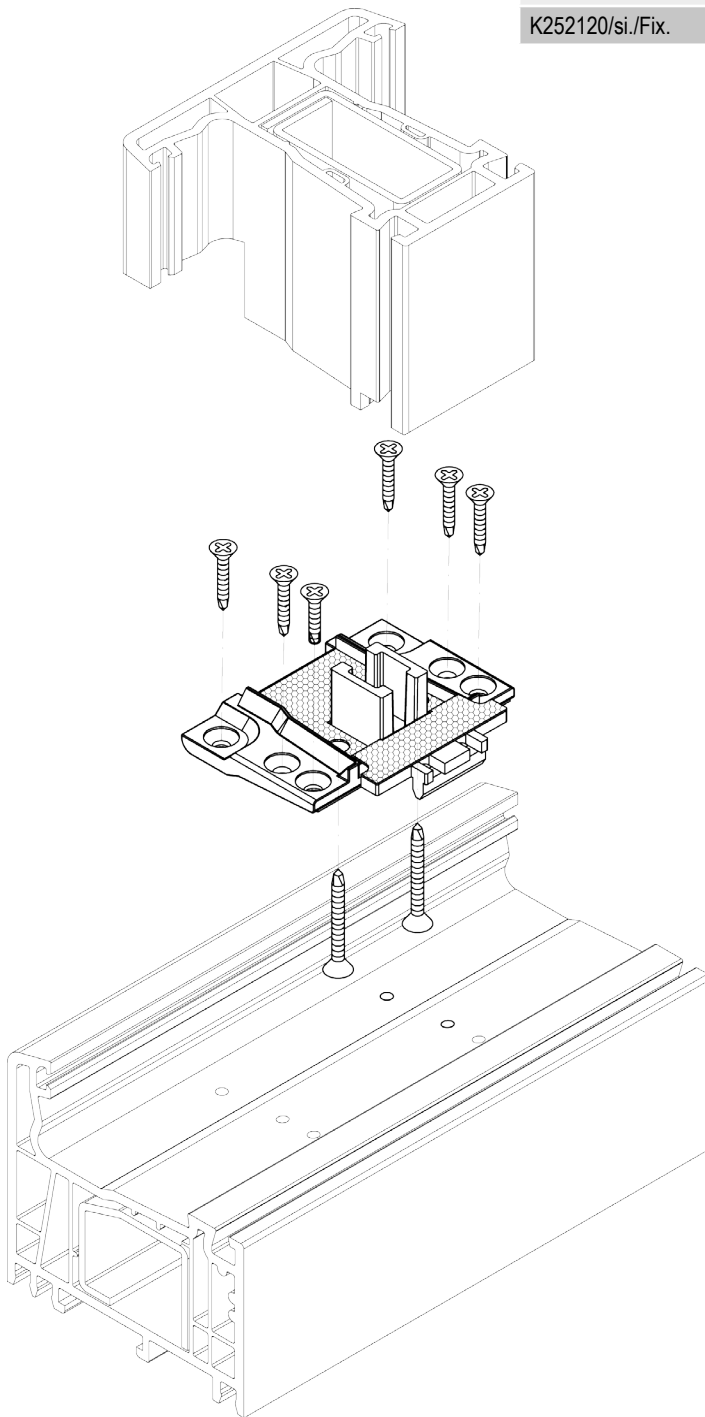


Transom and Mullion connectors fitting to SALAMANDER Streamline

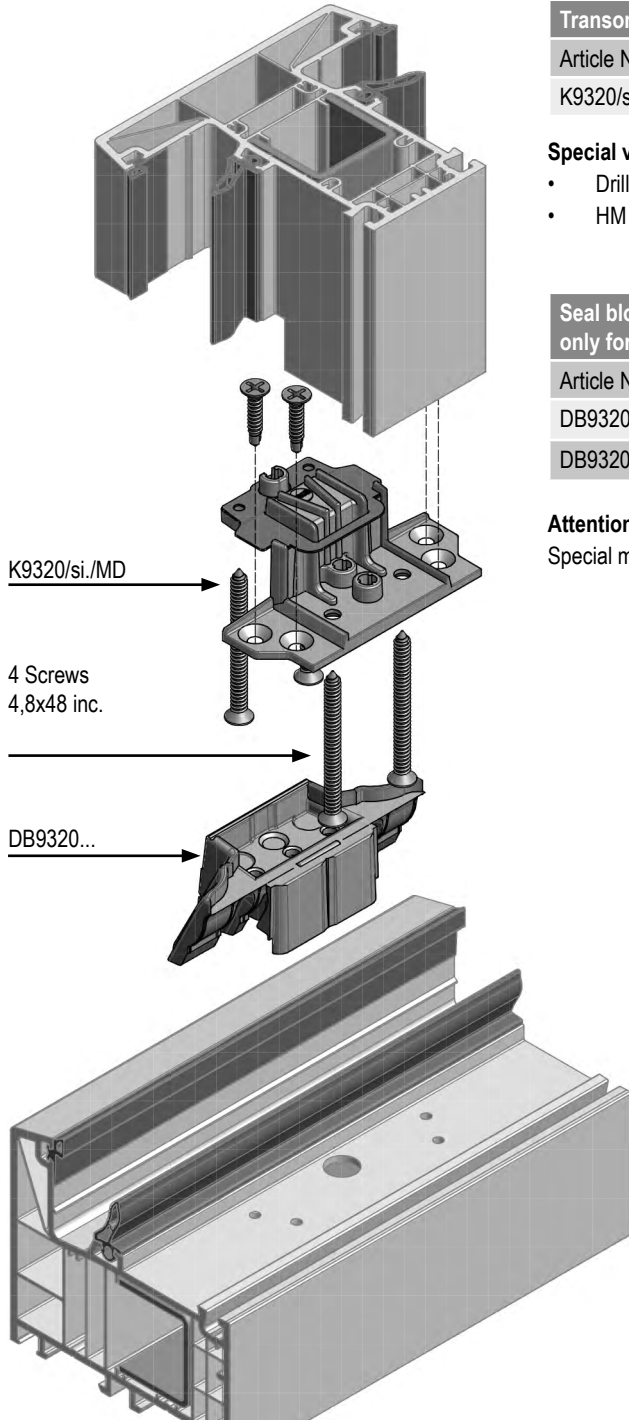
Transom and Mullion connector (K...) diecasted Zinc with pre mounted seals With or without knuckle (.../Fix.)					
Article Nr.	Colour	Mullion	Width Mullion	Remarks	Pieces
K252120/si.	silber	252120	82mm		100
K252120/si./Fix.	silber	252120	82mm	fixing knuckle	100

- Special versions / accessories:**
- Drilling stencil
 - HM Milling head upon request

Drilling stencil



Transom and Mullion connectors fitting to bluEvolution 82



Transom and Mullion connector (K...) diecasted Zinc with pre mounted seals

Article Nr..	Profil	Profile number	Width	Pieces
K9320/si./MD	82 MD	HO9320	96mm	50

Special versions / accessories:

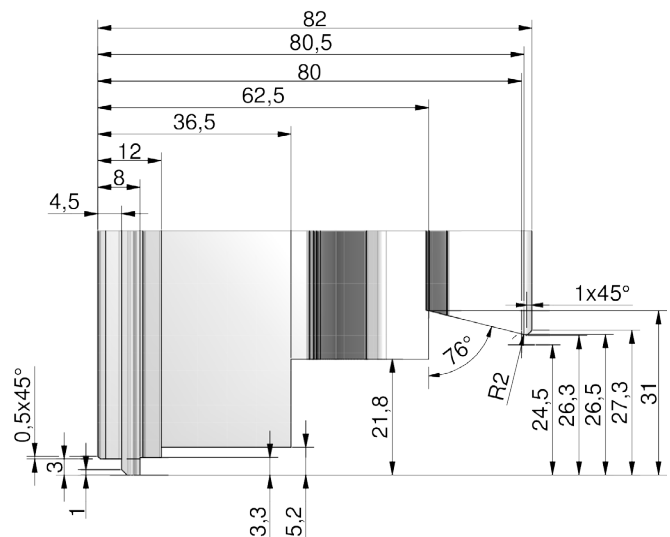
- Drilling stencil
- HM Milling head upon request

Seal block made from soft plastic fitting to bluEvolution 82 (MD) only for use with the horizontal Mullion

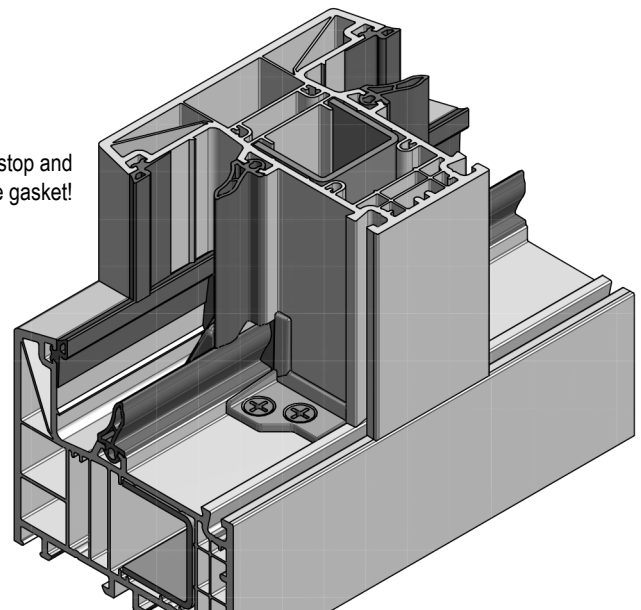
Article Nr..	Profil	Colour	Profile	fitting	Pieces
DB9320g	82 MD	lichtgrey	HO9320	K9320/si.	50
DB9320s	82 MD	schwarz	HO9320	K9320/si.	50

Attention:

Special milling required!



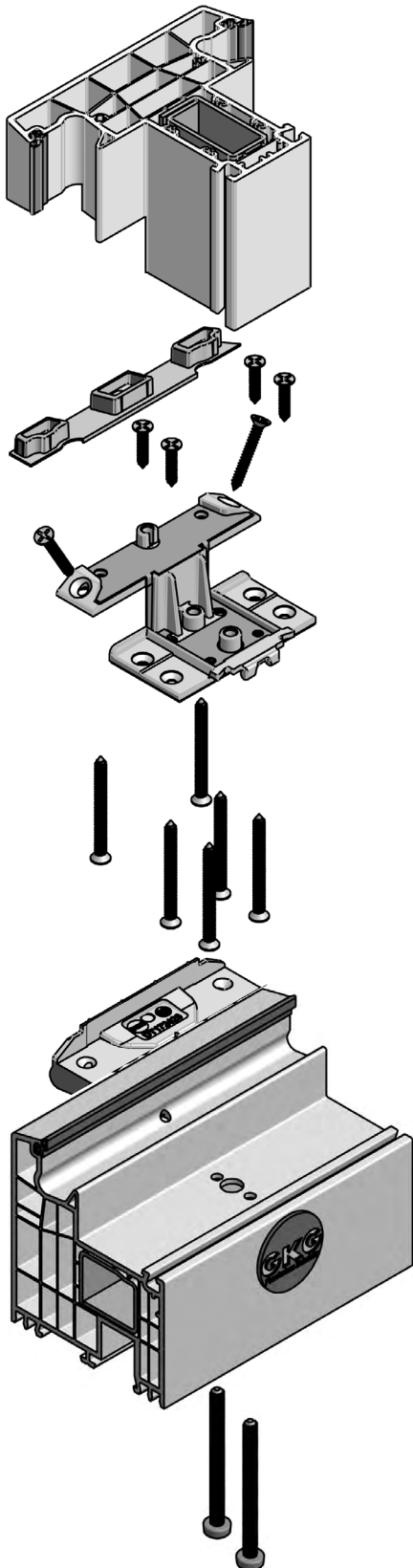
Continuous stop and middle gasket!



The advantages of the GKG-Mullion connector for bluEvolution 82:

- No notching of the stop or of the middle gasket required in the mullion area.
- No cavity seal required.
- No drilling required to fix the seal block.
- Positioning of the seal block through the marked notch possible.

Transom and Mullion connectors bluEvolution 92



Transom and Mullion connector (K...) diecasted Zinc, silver with pre mounted seals, including seal block and cavity end seal

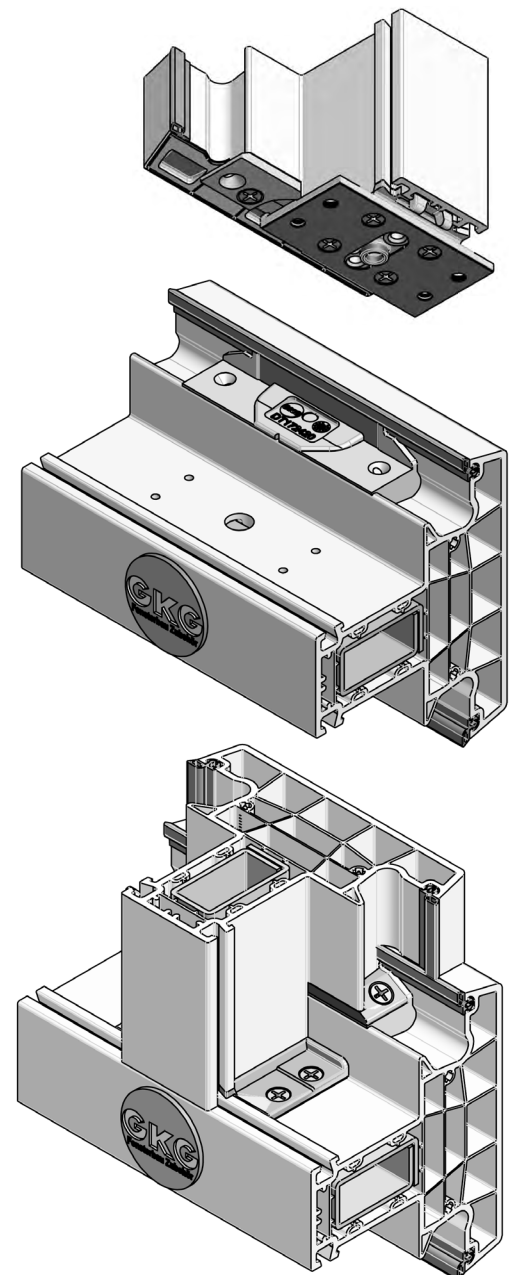
Article Nr..	profile	width	comments	Pieces
K172420/si./DB grey	172420	116mm	seal block grey	50
K172420/si./DB black	172420	116mm	seal block black	50
K172420/si./Fix./DB grey	172420	116mm	seal block grey, with fixing knuckle	50
K172420/si./Fix./DB black	172420	116mm	seal block black, with fixing knuckle	50

Special versions / Accessories

- Drilling stencil
- HM Milling head upon request

The advantages of the GKG-Mullion connector for bluEvolution 92:

- No notching of the stop or of the middle gasket required in the mullion area.
- No further work required for the cavity seal once its mounted.
- No drilling required to fix the seal block.
- Positioning of the seal block through the marked notch possible.
- The Mechanical joint is available with or without fixing knuckle.
- When using the mullion connector without fixing knuckle you can be completely dispensed with the use of the drilling template.

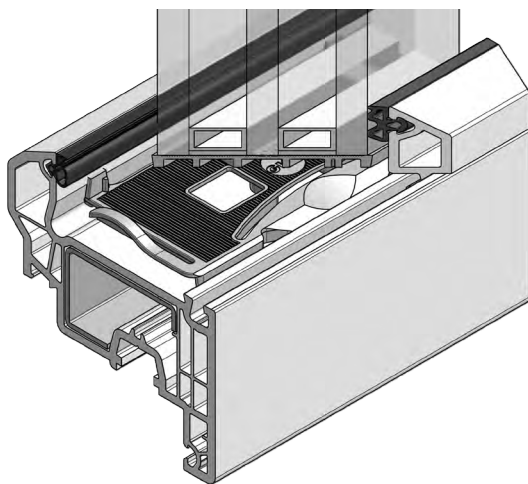


Glass bridges fitting to BRÜGMANN AD73/MD73

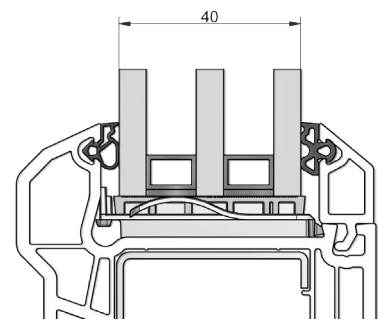
For the production of our glass bridges and glass packers we use exclusively Polypropylene (PP). This material contains no elasticizers and has a very good chemical resistance to the different sealants used such as Butyl or Polyisobutylene in between the glass panes. In the future event of further uncertainties regarding Polypropylene please refer to your glass supplier about the sealants used and the compatibility with Polypropylene.

Glass bridges, with glass packer holder made from PP			
Article Nr.	Profile	Remarks	Pieces
GF5003	AD73 MD73	new model MD Sash only	1.000

Reliable glass packer installation without the need to glue. The compatibility of Polypropylene (PP) to glass sealants is guaranteed.

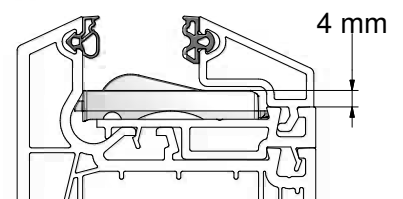
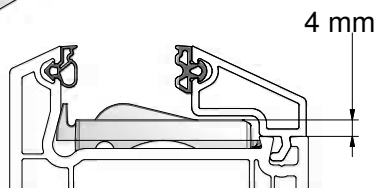
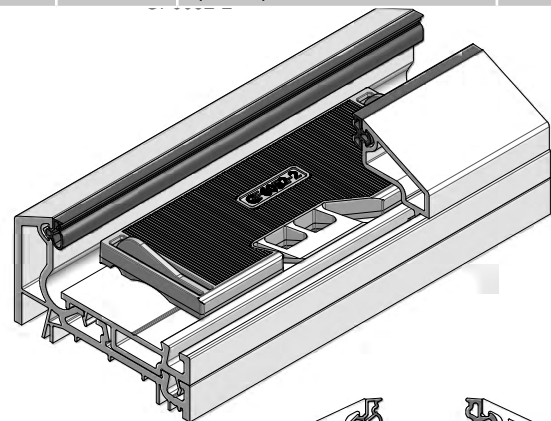
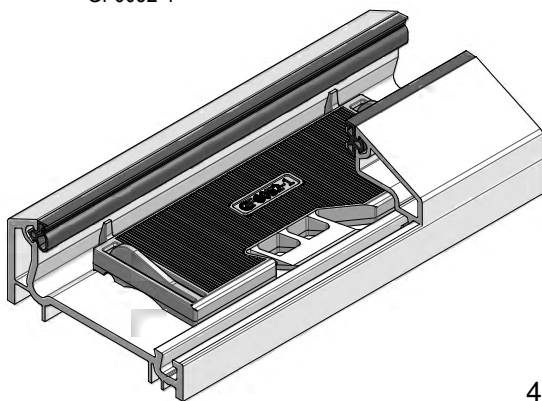


GF5003



GF6052-1

Heightened Glass bridges with integrated Glass packer clip fitting with packer holder made from PP			
Article Nr.	Profile	Remarks	Pieces
GF6052-1	AD73 MD73*	with integrated glass packer, *MD only leaf, upon request	500
GF6052-2	MD73	with integrated glass packer, fixed glazing with NP114 upon request	500

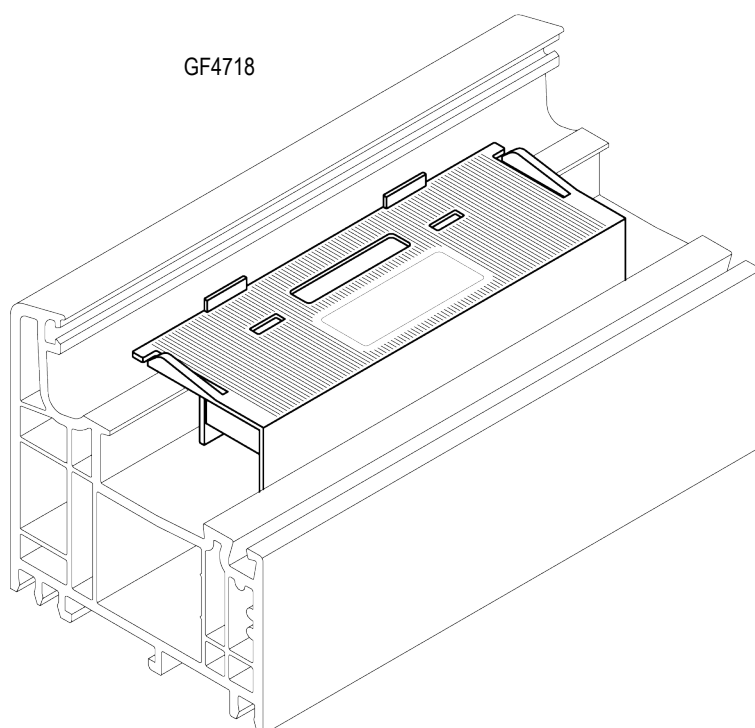
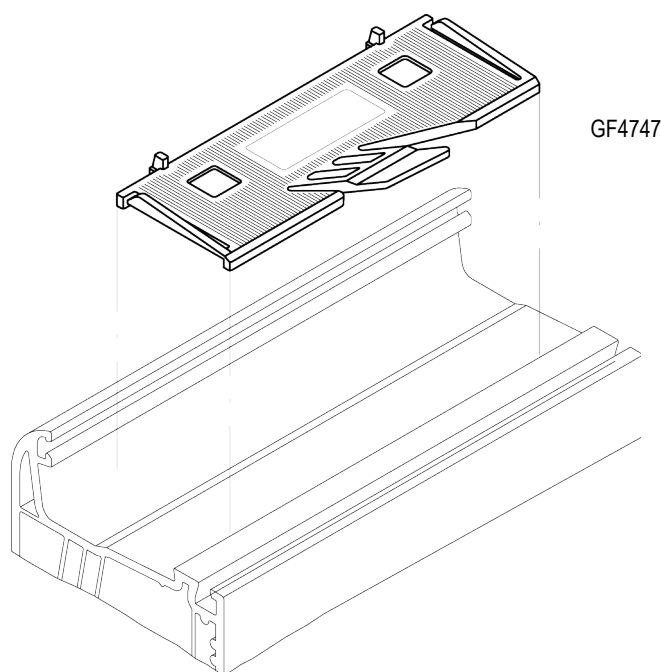


Glass bridges fitting to SALAMANDER 3D / Streamline

For the production of our glass bridges and glass packers we use exclusively Polypropylene (PP). This material contains no elastomers and has a very good chemical resistance to the different sealants used such as Butyl or Polyisobutylene in between the glass panes. In the future event of further uncertainties regarding Polypropylene please refer to your glass supplier about the sealants used and the compatibility with Polypropylene.

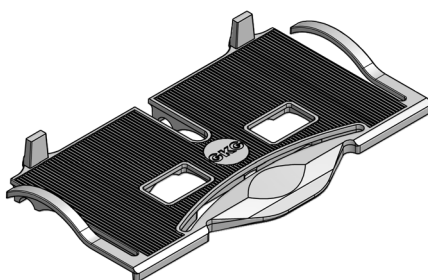
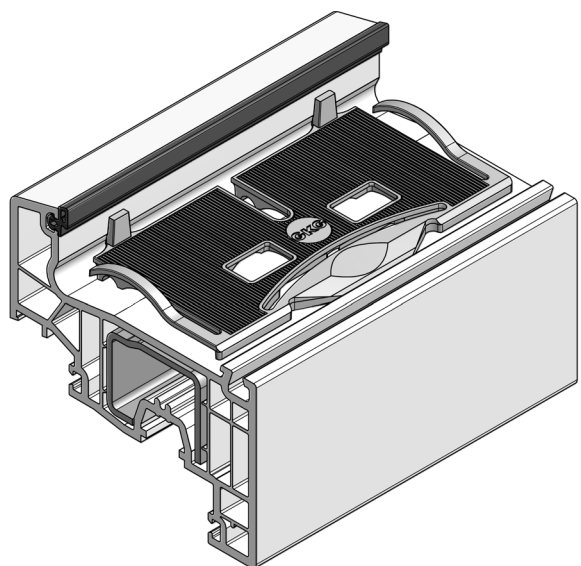
Glass bridges made from Polypropylene (PP)			
Article Nr..	zu Profil	Comments	Pieces
GF4747	3D Streamline	recessed	500
GF4718	3D Streamline	Frame glazing MD	300

Reliable glass packer installation without the need to glue. The compatibility of Polypropylene (PP) to glass sealants is guaranteed..



Glass bridges fitting to bluEvolution 82 / 92

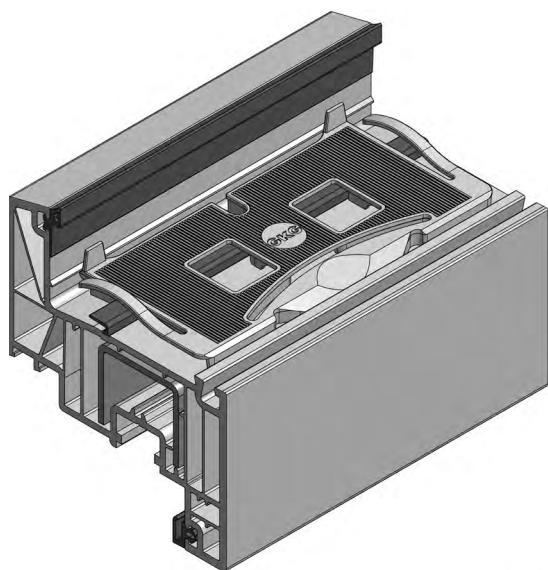
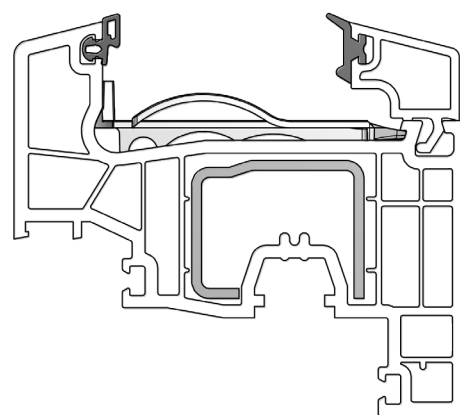
For the production of our glass bridges and glass packers we use exclusively Polypropylene (PP). This material contains no elasticizers and has a very good chemical resistance to the different sealants used such as Butyl or Polyisobutylene in between the glass panes. In the future event of further uncertainties regarding Polypropylene please refer to your glass supplier about the sealants used and the compatibility with Polypropylene.



Glass bridges, with glass packer holder made from PP fitting bluEvolution 92

Article Nr	Profile	Remarks	Pieces
GF8866	bluEvolution		1.000

Reliable glass packer installation without the need to glue. The compatibility of Polypropylene (PP) to glass sealants is guaranteed

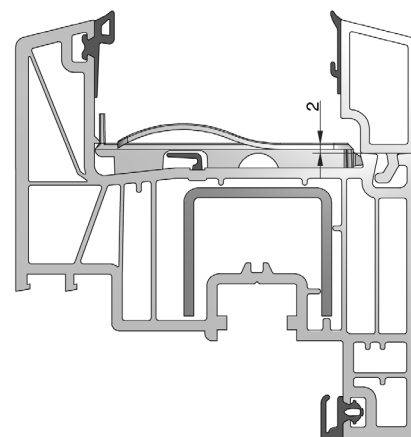


bluEvolution 82

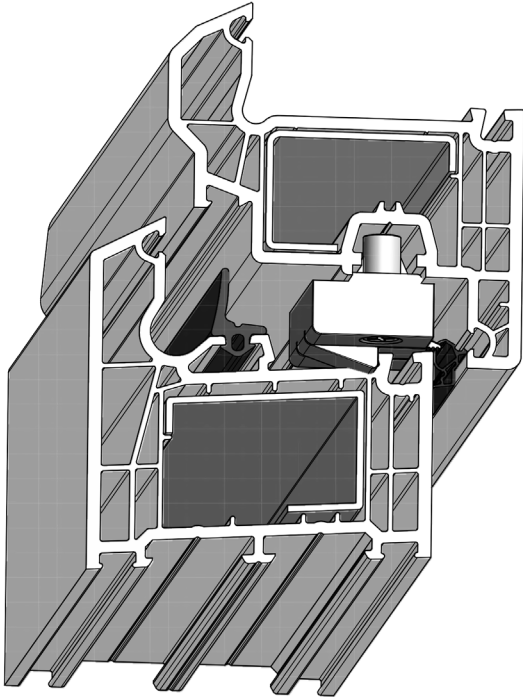
Glass bridges, with glass packer holder made from PP fitting bluEvolution 82

Article Nr.	Profile	Comments	Pieces
GF5082	bluevolution 82 AD+ MD	up to 50mm Glass thickness	1.000

Reliable fixing of the glass packers without gluing.

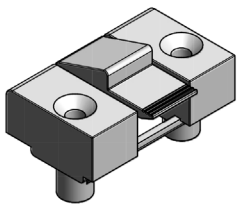


Dummy Sash clip fitting to AD73/MD73



Dummy sash clips		
Article Nr	Profile system	Pieces
FC1540	BRÜGMANN AD73/MD73 bluEvolution 82	100
FC1541	bluEvolution 92	100
FC1543	SALAMANDER 2D, 3D, Streamline	100

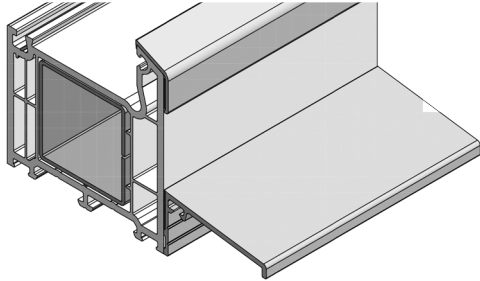
- Without the use of screws in the leaf
- Quick release by disassembly



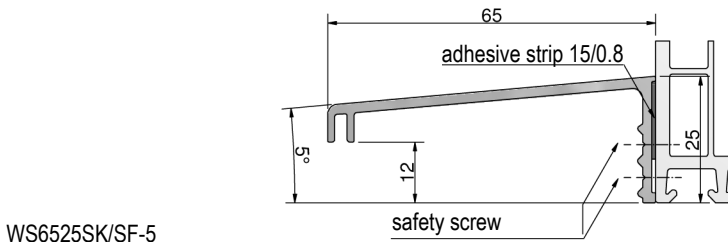
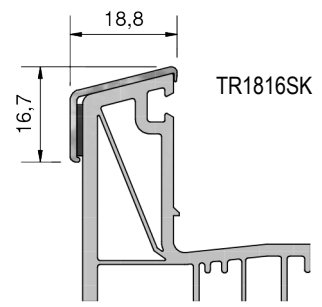
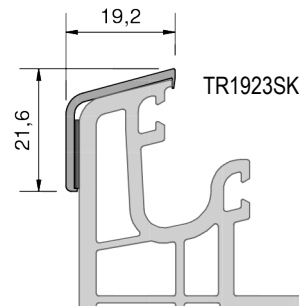
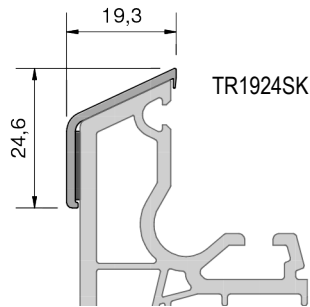
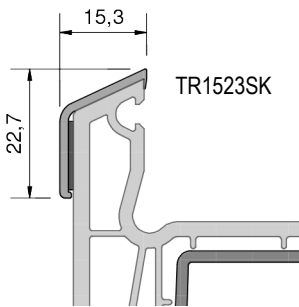
ATTENTION:

- Minimum of 2 clips in the verticle and 2 clips in the horizontal to be used with a spacing of 400mm and 120mm from the corners!
- When window elements are transported, a seperate support of the window leafs is to be used!
- The spacing between the frame and the sash must not be more that 12mm!
- The glass pane has to supported by a bridge/Packer at every point of a dummy sash clip!
- Frame and Sash are to be joined on both sides with screws and max. distance from the clip is 50mm!
- The dummy Sash clip gives no gaurantee against burglary!
- Test that the Sash is tight!

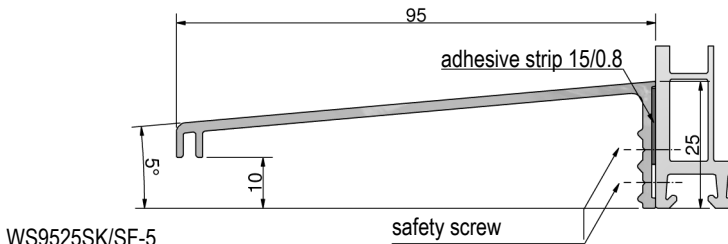
Step protection / weatherside profile



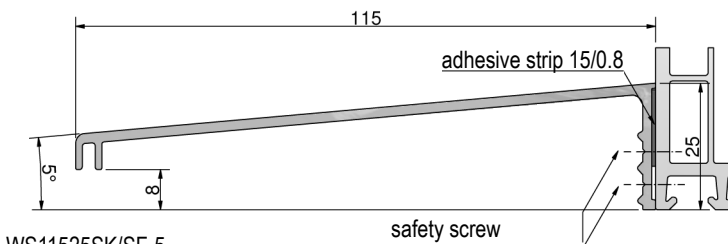
Aluminium Step protection with self adhesive band			
Article Nr	Colour	Fitting to profile	Meter
TR1523SK	EV1	BRÜGMANN AD73	150
TR1924SK	EV1	BRÜGMANN MD73	150
TR1923SK	EV1	SALAMANDER 3D / 15°	150
TR1816SK	EV1	bluEvolution 82	150



WS6525SK/SF-5



WS9525SK/SF-5



WS11525SK/SF-5

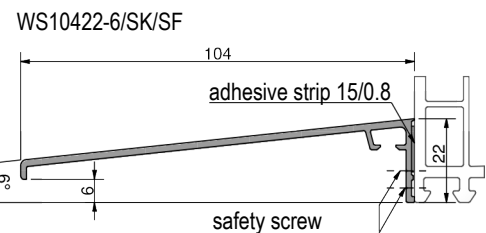
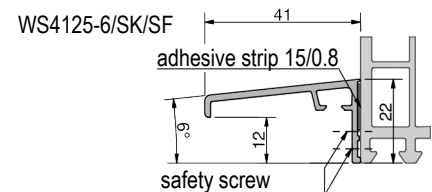
Aluminium weather side profile, EV1 anodised, universal with self adhesive strip and protective foil, grade 5°

Article Nr.	Colour	Size: L x W x H (mm)	Meter
WS6525SK/SF-5	EV1	5000 x 65 x 25,0	50
WS9525SK/SF-5*	EV1	5000 x 95 x 25,0	50
WS11525SK/SF-5*	EV1	5000 x 115 x 25,0	50

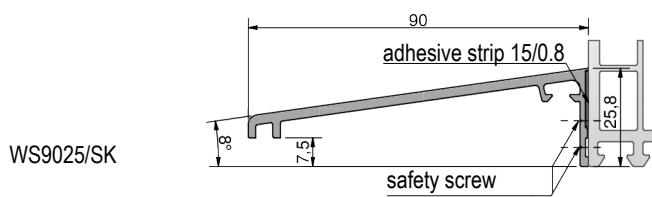
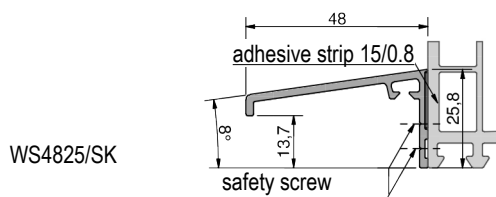
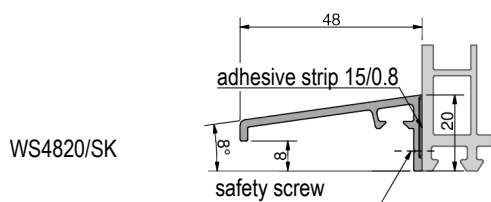
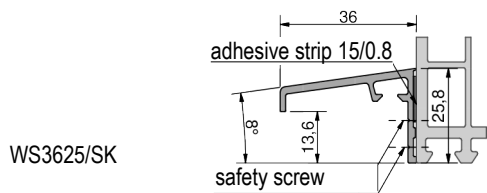
* upon request

Aluminium weather side profile, EV1 anodised, universal with self adhesive strip and protective foil, grade 6°

Article Nr.	Colour	Size: L x W x H (mm)	Meter
WS4125-6/SK/SF	EV1	5000 x 41 x 22,0	50
WS10422-6/SK/SF	EV1	5000 x 104 x 22,0	50



Step protection / Weatherside profile



Aluminium weather side profile, EV1 anodised, universal with self adhesive strip, grade 8°

Article Nr.	Colour	Size: L x W x H (mm)	Meter
WS3625/SK*	EV1	5000 x 36 x 25,8	50
WS4820/SK	EV1	5000 x 48 x 20,0	50
WS4825/SK	EV1	5000 x 48 x 25,8	50
WS9025/SK	EV1	5000 x 90 x 25,8	50

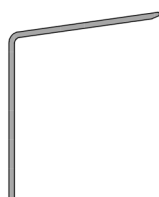
* upon request

Aluminium weather side profile, EV1 anodised with self adhesive strip, 2 part

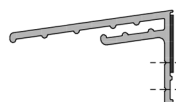
Article Nr.	Colour	Size: L x W x H (mm)	Meter
WSA4842-2SK/EV1*	EV1	5000 x 43 x 25,0	50
WSA4842-1/EV1*	EV1		50

* upon request

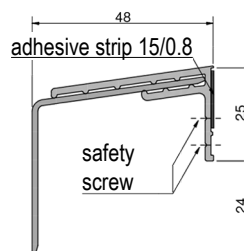
WSA4842-1/EV1



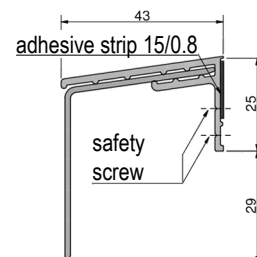
WSA4842-2SK/EV1



Variante 1



Variante 2



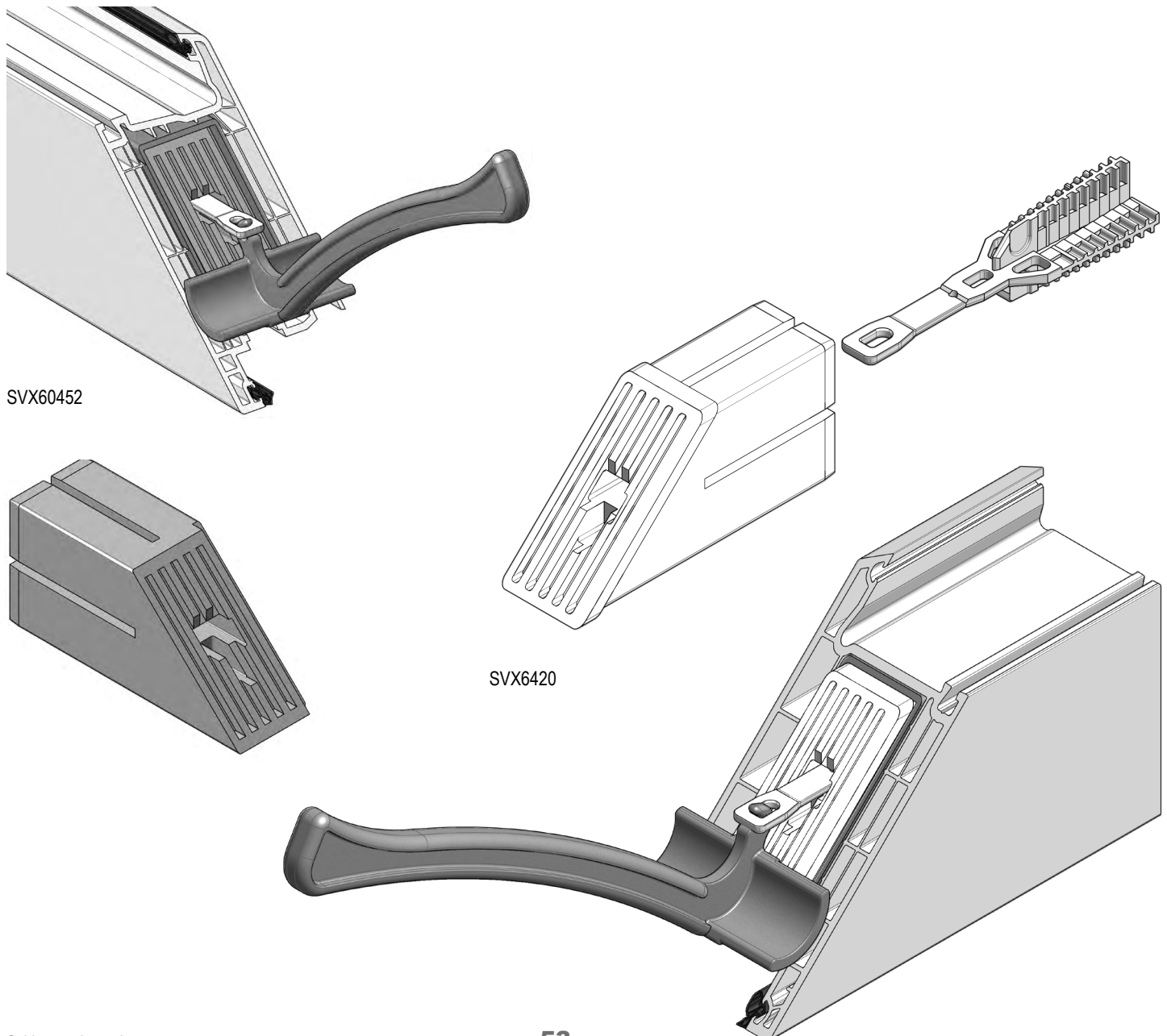
Weldable corner joint „SVX“ fitting to door reinforcement

Weldable Corner joint „SVX“ (Pat. 10109718C1)

- Very quick and easy installation.
- Braced on all sides inside the steel.
- High torsion strength.
- Increase in the general strength of the corners.
- Vibration free function of the door corners with „SVX“.
- Reduction of the stagnation pressure once the melting time is over.
- Exact holding of the given standard times.
- Asymmetrical arrangement of the welding surface.
- Mounting lever.

Weldable corner joint „SVX“ with four sided bracing (1 set = 8 pieces)			
Article Nr	Fitting to steel	Steel	Set
SVX4420	40 x 40 x 2mm	BRÜGMANN ST4400...	6
SVX6420	60 x 40 x 2mm	BRÜGMANN ST6400....	5
SVX50502	50 x 50 x 2mm	SALAMANDER ST5500...	5
SVX60452	60 x 45 x 2mm	SALAMANDER ST6045...	4

Installation lever specific for „SVX“		
Article Nr		Pieces
MSX02	Fitting to all above mentioned „SVX“	1



SVX60452

SVX6420

Grundmeier KG

Bartholomäusweg 1

D-33334 Gütersloh

Telefon: 0 52 41 / 94 48 - 0

Telefax: 0 52 41 / 94 48 - 48

E-Mail: info@grundmeierkg.de

www.grundmeierkg.de

