

# Window and Door technology



2018 | 2019



- Threshold systems in 20mm and 0mm heights
- Transom and Mullion joints
- Weldable corner joints
- Glazing bar Profiles
- Glass bridges
- Balcony door handles
- Water drainage caps
- We can also design and produce  
Customer specific requirements

**Grundmeier KG**

Bartholomäusweg 1  
D-33334 Gütersloh

fon: + 49 (0) 52 41 / 94 48 -0  
fax: + 49 (0) 52 41 / 94 48 -48

[www.grundmeierkg.de](http://www.grundmeierkg.de)  
[info@grundmeierkg.de](mailto:info@grundmeierkg.de)

*Catalogue new as from 2018  
Subject to change.*

*Minor quantities and special  
versions completed  
with surcharge.*

Transom / Mullion joints	Page 04 - 09
Glass bridges	Page 10 - 11
Glass packers	Page 12
Dummy sash clips, Transportblock	Page 13
Run up blocks, distance holders	Page 14
Balcony / Patio door handles	Page 15 - 16
Water drainage slot caps	Page 17 - 18
Overview of RAL-colours	Page 19
Static-window anchors adjustable	Page 20
Static coupling, stud bolts, threaded bolts	Page 21
PVC Glazing bar Profiles	Page 22 - 25
Weldable corner joints	Page 26 - 27
Weatherside Profile Aluminium	Page 28 - 29
Aluminium step prediction	Page 30 - 31
Threshold system „COMBI plus“	Page 32
Threshold	Page 34 - 35
Diverses	Page 36
Threshold holder, Middle post holder, french door end caps	Page 37 - 39
Weatherside Profile	Page 40 - 41
Threshold system „COMBI plan“	Page 42
Drainage Profile, Threshold holder, Middle post holder, french door end caps	Page 44
Soil sealing, drainage trough	Page 45
Threshold system „COMBI“	Page 46
Threshold	Page 50 - 54
Diverse products	Page 55
Threshold holder, Middle post holder	Page 56 - 63
Weatherside Profile	Page 64 - 68
End caps, run up blocks	Page 69
Threshold packers (also for COMBI plus, BASIC)	Page 70 - 71
Threshold system „BASIC“	Page 72
Threshold	Page 72 - 73
Threshold holder, Middle post holder	Page 74 - 77
Weatherside Profile, door seals, diverses	Page 78 - 79



Information to the CE Sign for windows and doors.

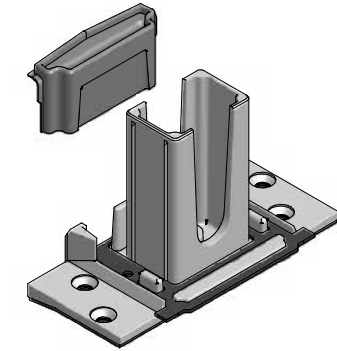
Many of our products with CE relevance such as Weldable corner joints, Transom/Mullion connectors and Threshold Systems have been tested by governing test institutions (notified bodies). For Weldable corner joints and Transom/Mullion connectors these tests were based on IFT FE06/01 and FE09/1 Guidelines. The results provide the necessary information to the reliability of our products and make it comparable to those products used for the original ITT. The Threshold Systems were also tested by governing institutions (notified bodies). The results display the characteristics and the performance of the whole door / doorwindow. In part these results can be used to determine the performance for CE. Therefore it is essential that the producer include all corresponding production guidelines in his factory production control.

Results of the tests are available on request

## Mullion and Transom mechanical joints, corner reinforcement

### ALUPLAST

Mullion (T...), Transom (K...) diecasted zinc with pre mounted seal plate specific to Aluplast

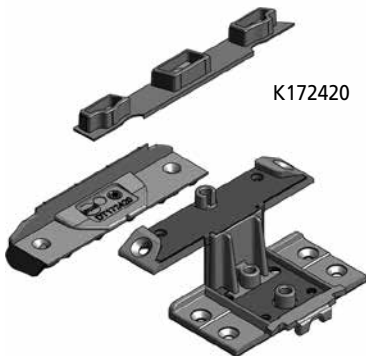


K140045

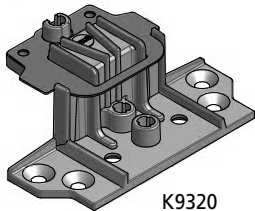
Article Nr	to Profile	Profile	Profile Width	Remarks	Pack/Pieces
K140041/si.	4000	140 041, 140 044, 140 048	84mm	also for use in 84mm Ideal 5000/6000	100
K140041/si./Fix.	4000	140 041, 140 044, 140 048	84mm	also for use in 84mm Ideal 5000/6000, with fixing knuckle	100
T140041/si.	4000	140 041, 140 044, 140 048	84mm	T-connector, also for 84mm Ideal 5000/6000	100
T140041/si./Fix.	4000	140 041, 140 044, 140 048	84mm	T-connector, also for 84mm Ideal 5000/6000 with fixing knuckle	100
K140045/si.	4000	140 045	104mm		50
K140045/si./Fix.	4000	140 045	104mm	with knuckle, upon request	50
T140045/si.	4000	140 045	104mm	upon request	50

### BRÜGMANN

Transom (K...) diecasted zinc with pre mounted seal plate specific to Brüggmann

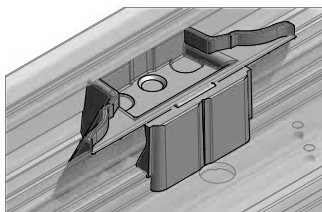


K172420



K9320

Article Nr	to Profile	Profile	Profile Width	Remarks	Pack/Pieces
K302/si.	AD73	HP302, HP301	90mm		50
K300/si.	AD73	HP300	70mm		50
K172420/si./DB grey	bluEvolution 92	172420	116mm	Seal block grey	50
K172420/si./DB black	bluEvolution 92	172420	116mm	Seal block black	50
K172420/si./Fix./DB grey	bluEvolution 92	172420	116mm	Seal block grey, with knuckle	50
K172420/si./Fix./DB black	bluEvolution 92	172420	116mm	Seal block black, with knuckle	50
K9320/si.	bluEvolution 82 (MD)	HO9320	96mm		50



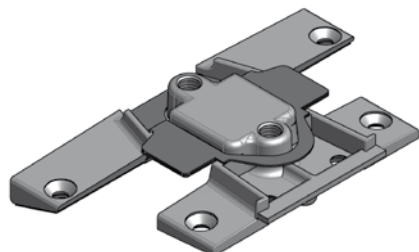
DB9320

Seal in soft plastic fitting to bluEvolution 82 (MD)

Article Nr	to Profile	Profile	to Connector	Colour	Pack/Pieces
DB9320g	bluEvolution 82 (MD)	HO9320	K9320/si.	light grey	50
DB9320s	bluEvolution 82 (MD)	HO9320	K9320/si.	black	50

## Mullion and Transom mechanical joints, corner reinforcement

### KÖMMERLING

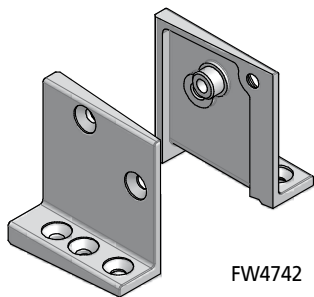


K6221

Mullion (T...), Transom (K...) diecasted zinc with pre mounted seal plate specific to Kömmerling

Article Nr	to Profile	Profile	Width	Remarks	Pack/Pieces
T2122/si.	Elegance, Classic	0122, 0125, 2422, 2425	90mm	T-connector, upon request	50
K2122/si.	Elegance, Classic	0122, 0125, 2422, 2425	90mm	upon request	50
K2121/si.*	Elegance, Classic	0121, 2421	80mm	upon request	50
K2123/si.*	Elegance, Classic	0123, 2423	105mm	upon request	50
K2427/si.*	Classic	2427	115mm		50
K6221-2/si.*	88plus	6221	98mm		50
T6221-2/si.*	88plus	6221	98mm	T-connector	50
K6227-2/si.*	88plus	6227	124mm		50
K6242/si.*	88plus	6242	98mm	Frame joint	50
K6269/si.*	88plus	6269	68mm	Frame joint	50

All joints for Kömmerling (except 88plus) are available for delivery with splint instead of the static coupling. (Art.-Nr.: .../Stift)

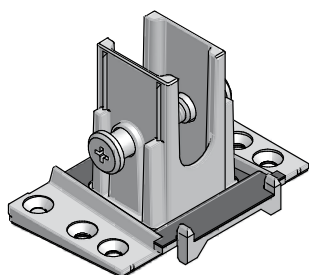


FW4742

Diecasted corner reinforcements fitting to KÖMMERLING in silver (.../si.) and UB

Article Nr	to Profile	Profile	Colour	Remarks	Pack / Pair
FW4742/si.	Elegance, Classic		silver	Recess depth 42mm	50 Pair
FW4750/si.	Elegance, Classic	2442	silver	Recess depth 50mm	50 Pair
W6-38042(2)	Elegance, Classic		raw (Zinc)	Recess depth 42mm	50 Stk.

### REHAU



K8670-2

Mullion (T...), Transom (K...) from diecasted Zinc with pre mounted seal fitting to REHAU in silver

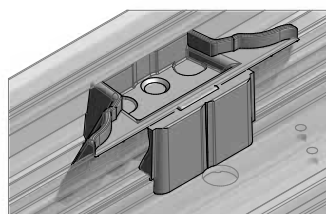
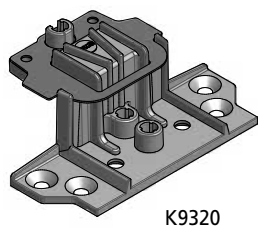
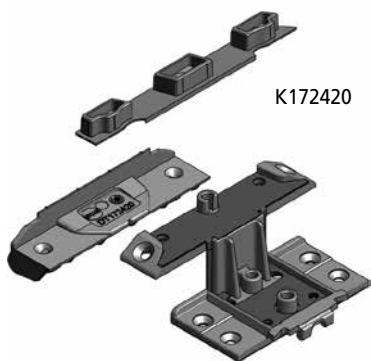
Article Nr	to Profile	Profile	Profile Width	Remarks	Pack/Pieces
K8670-2/si.	Brillant	550020/25	86mm		50
K8672-2/si.	Brillant	550780	120mm		50
K8673-2/si.	Brillant	550030	68mm		50
K2087-2/si.	S730	541050, 541230	86mm	upon request	50
K2088-2/si.	S730	541150	68mm	upon request	50

Diecasted corner reinforcements fitting to REHAU in UB

Article Nr	to Profile	Profile	Profile Width	Remarks	Pack/Pieces
W6-38042(2)	Brillant			Recess depth 42mm	50

## Mullion and Transom mechanical joints, corner reinforcement

### SALAMANDER



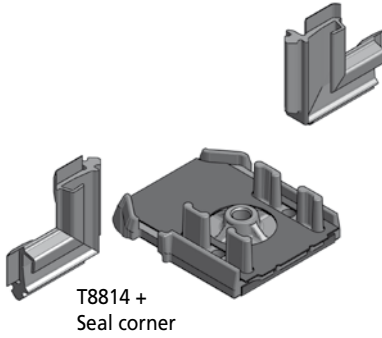
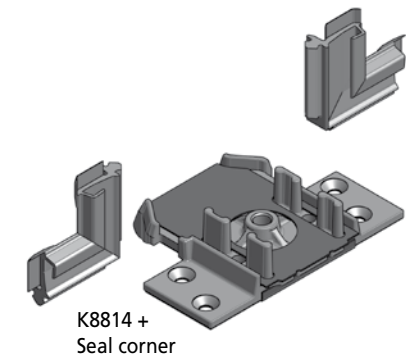
#### Mullion (T...), Transom (K...) from diecasted Zinc with pre mounted seal fitting to SALAMANDER in silver

Article Nr	to Profile	Profile	Profile Width	Remarks	Pack/Pieces
K252120/si.	Streamline	252120	82mm		100
K252120/si./Fix.	Streamline	252120	82mm	with knuckle	100
K112221-0/si.	3D	112220	108mm	without Seal block, upon request	100
K112221/si.	3D	112220	108mm	with Seal block, upon request, upon request	100
K212020/si.	2D, Streamline	212025, 212020, 252120	82mm		100
K212020/si./Fix.	2D, Streamline	212025, 212020, 252120	82mm	with knuckle	100
K212010/si.	2D, Streamline	212010, 252110	72mm		100
K212030/si.	2D, Streamline	212030, 252130	102mm		100
K172420/si./DB grey	bluEvolution 92	172420	116mm	Seal block grey	50
K172420/si./DB black	bluEvolution 92	172420	116mm	Seal block black	50
K172420/si./Fix./DB grey	bluEvolution 92	172420	116mm	Seal block grey, with knuckle	50
K172420/si./Fix./DB black	bluEvolution 92	172420	116mm	Seal block black, with knuckle	50
K9320/si.	bluEvolution 82 (MD)	HO9320	96mm		50

#### Seal in soft plastic fitting to bluEvolution 82 (AD+MD)

Article Nr	to Profile	Profile	to Connector	Colour	Pack/Pieces
DB9320g	bluEvolution 82 (MD)	HO9320	K9320/si.	grey	50
DB9320s	bluEvolution 82 (MD)	HO9320	K9320/si.	black	50

SCHÜCO		Mullion (T...), Transom (K...) from diecasted Zinc with pre mounted seal fitting to SCHÜCO				
Article Nr	Typ	to Profile	Profile	Profile Width	Remarks	Pack/Pieces
K8584/si.	Connector	CT70	8584, 8598, 9012	91mm		50
K8599/si.	Connector	CT70	8599, 8608, 8848	110mm		50
T8584/si.	T-Connector	CT70	8584, 8598, 9012	91mm	T-Connector	50
K8571/si.	Connector	CT70	8571, 8584, 8598	91mm		50
K8572/si.	Connector	CT70	8572, 8573, 8599, 8608, 8848	110mm		50
K8594/si.	Connector	CT70	8594, 8514	91mm	upon request	50
K8520/si.	Connector	CT70	8520	70mm		50
K8513/si.	Connector	CT70	8513	70mm	upon request	50
K8814/si./DW-grey	Connector	S182	8814	91mm	inc. Seal corner for MD grey	50
K8814/si./DW-schw	Connector	S182	8814	91mm	inc. Seal corner for MD black	50
K8814/si./o.DW	Connector	S182	8814	91mm	without Seal corner	50
K8833/si./DW-grey	Connector	S182	8833	110mm	inc. Seal corner for MD grey	50
K8833/si./DW-schw	Connector	S182	8833	110mm	inc. Seal corner for MD black	50
K8833/si./o.DW	Connector	S182	8833	110mm	without Seal corner	50
T8814/si./DW-grey	T-Connector	S182	8814	91mm	with M6 Thread, inc. Seal corner for MD grey	50
T8814/si./DW-schw	T-Connector	S182	8814	91mm	with M6 Thread, inc. Seal corner for MD black	50
T8814/si./o.DW	T-Connector	S182	8814	91mm	with M6 Thread, without Seal corner	50

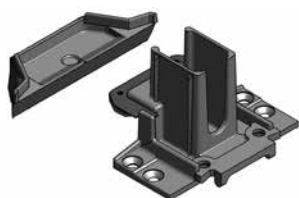


Version with fixing knuckle (FIX) on request.

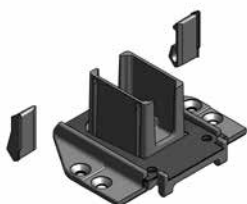
## Mullion and Transom mechanical joints, corner reinforcement

### VEKA

#### Mullion (T...), Transom (K...) from diecasted Zinc with pre mounted seal fitting to VEKA in silver



K102310 with Seal block DB102310



K102312/si. with Seal block DS22

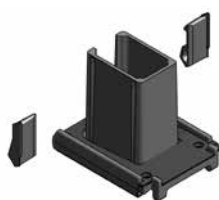
Article Nr	to Profile	Profile	ProfileeWidth	Remarks	Pack/Pieces
K2200.3/si.	70mm AD	102 200, 102 218, 102 235	85mm		50
K2200.3/si./n.D.	70mm AD	103 200, 102 218, 102 235	85mm	inner cavity seal	50
K2200.3/Steg/si.	70mm AD	102 200, 102 218, 102 235	85mm	with recess knuckle	50
K2200.4/si.	70mm AD	104 200, 102 218, 102 235	85mm		50
K2200.4/si./n.D.	70mm AD	105 200, 102 218, 102 235	85mm	inner cavity seal	50
K2200.4/Steg/si.	70mm AD	102 200, 102 218, 102 235	85mm	with recess knuckle	50
K102230/si./n.D.	70mm AD	102 200, 102 218, 102 230, 102 235	85mm	upon request	50
K2201/si.	70mm AD	102 201	75mm	upon request	50
K2202/si.	70mm AD	102 202, 102 238	118mm		50
K2207/si.	70mm AD	102 207	100mm	upon request	50
K2208/si.	70mm AD	102 208, 102 209, 102 237	64mm		50
K2220/si.	Topline MD	102 220	119mm	upon request	50
K2242/si.	Alphaline	102 242	119mm	upon request	50
K102310/si./o. DB	SL82	102310	94mm MD		50
K102311/si./o. DB	SL82	102311	124mm MD		50
K102312/si.	SL82	102312	94mm AD		50
K102315/si.	SL82	102315	72mm AD		50

Version with fixing knuckle (FIX) on request.

#### Mullion (T...) in plastic with fixing knuckle (.../Fix.) and with pre mounted seals fitting to VEKA



T102310 with Seal block DB102310

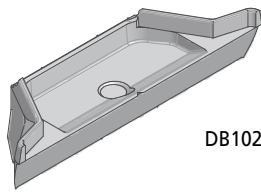


T102312/si. with Seal block DS22

Article Nr	to Profile	Profile	Profile Width	Remarks	Pack / Pieces
T2300/GF/Fix.1	70mm AD	106 200, 102 218, 102 235	85mm	grey f. Steel 1,5mm	100
T2300/3/GF/Fix1/gr.	70mm AD	106 200, 102 218, 102 235	85mm	grey f. Steel 3mm, upon request	100
T2300/4/GF/Fi.1/9016	70mm AD	106 200, 102 218, 102 235	85mm	grey f. Steel 4mm, upon request	100
T102310/FIX/black/o.DB	SL82	102310	94mm MD	black, with 6,2mm knuckle	50
T102310/FIX/white/o.DB	SL82	102310	94mm MD	white, with 6,2mm knuckle	50
T102311/FIX/black/o.DB	SL82	102311	124mm MD	black, with 6,2mm knuckle	50
T102311/FIX/white/o.DB	SL82	102311	124mm MD	white, with 6,2mm knuckle	50
T102312/FIX/black	SL82	102312	94mm AD	black, with 6,2mm knuckle	50
T102312/FIX/white	SL82	102312	94mm AD	white, with 6,2mm knuckle	50



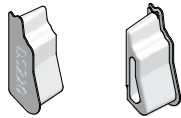
## Mullion and Transom mechanical joints, corner reinforcement



DB102310

### Seal in soft plastic fitting to Veka SL 82

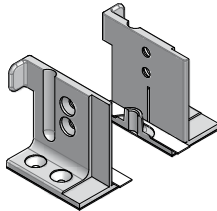
Article Nr	to Profile	Profile	Profile Width	Remarks	Pack/Pieces
DB102310/94mm/grey	SL82	102310	94mm MD	grey	50
DB102310/94mm/black	SL82	102310	94mm MD	black	50
DB102311/ 124mm/grey	SL82	102311	124mm MD	grey	50
DB102311/ 124mm/black	SL82	102311	124mm MD	black	50



DS22

### Seals for connectors 70/82mm AD to seal above the horizontal (additional to joints)

Article Nr	to Profile	Colour	Remarks	Pack/Pair
DS22/grey	70mm AD	grey	upon request	100
DS7682/grey	SL82	grey	upon request	100



FW2200/2

### Diecast corner reinforcements fitting to VEKA in silver (.../si.)

Article Nr	to Profile	Colour		Pack / Pair
FW2200/2/si.	70mm AD	silver		50
FW102315/si.	SL82	silver		50

## Glass bridges, clip fitting with glass packer holder, made from PP



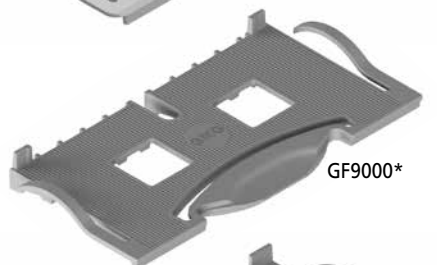
GF5005\*



GF5082\*



GF5049\*



GF9000\*



GF110E\*



GF5076\*

\*Patentierte Klemmfeder

### Glass bridges fitting to ALUPLAST

Article Nr	to Profile	Remarks	Pack/Pieces
GF5005	4000, 5000, 6000	new version	1.000
GF8537	4000, 5000, 6000	alternative to GF5005	500
GF9041	4000, 5000, 6000	with integrated glass packer	500

### Glass bridges fitting to BRÜGMANN

Article Nr	to Profile	Remarks	Pack/Pieces
GF5003	AD73, MD73	MD leaf only	1.000
GF6052-1	AD73, MD73	with intergrated glass packer, MD leaf only, on request	500
GF8866	bluEvolution 92		1000
GF5082	bluevolution 82 AD+ MD	up to 50mm glass thickness	1000

### Glass bridges fitting to DECEUNINCK

Article Nr	to Profile		Pack/Pieces
GF5049	Zendow Flex		1.000

### Glass bridges fitting to GEALAN

Article Nr	to Profile	Remarks	Pack/Pieces
GF8000	S7000IQ, S8000IQ		500
GF9000	9000	glass thickness to 52mm	1.000

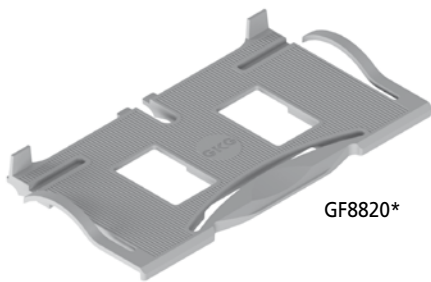
### Glass bridges fitting to HEROAL

Article Nr	to Profile		Pack/Pieces
GF110E	110E, 110ES		500

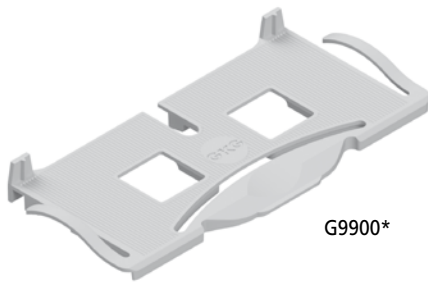
### Glass bridges fitting to KBE

Article Nr	to Profile	Remarks	Pack/Pieces
GF3442	70mm		1.000
GF5076	76mm AD+MD	to 48mm glass thickness	1.000
GF8810	88 plus	to 48mm glass thickness	1.000
GF8820	88 (new version)	to 50mm glass thickness	1.000
GF3434/KBE	58mm		1.000

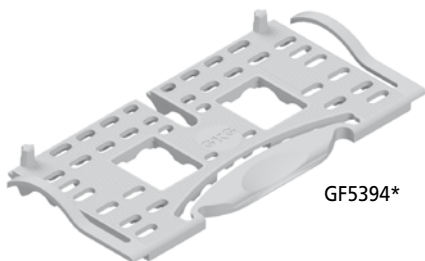
## Glass bridges, clip fitting with glass packer holder, made from PP



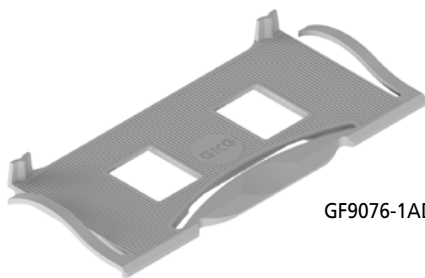
GF8820\*



G9900\*



GF5394\*



GF9076-1AD\*

\*Patent registered

### Glass bridges fitting to KÖMMERLING

Article Nr	to Profile	Remarks	Pack/Pieces
GF5004	Elegance, Classic	recessed, new version	1.000
GF4846	Elegance, Classic	recessed, upon request	500
GF4851/51mm	Elegance, Classic, 3S	half recessed, upon request	500
GF9046	Elegance, Classic	with integrated glass packer	500
GF8800	88plus	to 48mm glass thickness	1.000
GF8820	88 (new version)	to 50mm glass thickness	1.000
GF5076	76 AD/MD	to 48mm glass thickness	1.000

### Glass bridges fitting to REHAU

Article Nr	to Profile	Remarks	Pack/Pieces
GF5002	Brillant		1.000
GF9800	Geneo / Euro Design 86	to 46mm glass thickness	1.000
GF9900	Synego		1.000

### Glass bridges fitting to SALAMANDER

Article Nr	to Profile	Remarks	Pack/Pieces
GF4747	3D, Streamline	recessed	500
GF4718	3D, Streamline	frame glazing MD	300
GF8866	bluEvolution 92		1.000
GF5082	bluevolution 82 AD+ MD	to 50mm glass thickness	500

### Glass bridges fitting to SCHÜCO

Article Nr	to Profile	Remarks	Pack/Pieces
GF8537	CT70	recessed	500
GF8552-2	CT70, S182	half recessed	1.000
GF3041	CT70	frame glazing	500
GF9041	CT70	recessed with integrated glass packer	500
GF5394-1-AD	Living 82AD	to 50mm glass thickness	1.000
GF5394-2-MD	Living 82MD	only frame Profilee MD	1.000

### Glass bridges fitting to VEKA

Article Nr	to Profile	Remarks	Pack/Pieces
GF5001	70mm, Alpaline	new version, to 41/44mm glass thickness	1.000
GF3047	70mm	alternative to GF5001	1.000
GF6047	70mm	with integrated glass packer, upon request	500
GF7682	Softline 82	also to fixed glazing AD	1.000
GF7684	Softline 82	increased 4mm, glass thickness to 50mm, upon request	1.000
GF7685	Softline 82	frame glazing MD, glass thickness to 50mm	1.000
GF9076-1-AD*	Softline 76AD	to 48mm glass thickness	1.000
GF9076-2-MD*	Softline 76MD	frame glazing MD, glass thickness to 48mm	1.000

\* in preparation / not yet available for delivery

## Glass bridges, clip fitting with glass packer holder, made from PP

### Width: 28mm

Article Nr	Colour	Size: L x B x H (mm)	Pack/Pieces
GL28.1	white	100 x 28 x 1	1000
GL28.2	blue	100 x 28 x 2	1000
GL28.3	red	100 x 28 x 3	1000
GL28.4	yellow	100 x 28 x 4	1000
GL28.5	green	100 x 28 x 5	1000
GL28.6	black	100 x 28 x 6	1000

### Width: 30mm

Article Nr	Colour	Size: L x B x H (mm)	Pack/Pieces
GL30.1	white	100 x 30 x 1	1000
GL30.2	blue	100 x 30 x 2	1000
GL30.3	red	100 x 30 x 3	1000
GL30.4	yellow	100 x 30 x 4	1000
GL30.5	green	100 x 30 x 5	1000
GL30.6	black	100 x 30 x 6	1000
GL30.8	grey	100 x 30 x 8	1000

### Width: 32mm

Article Nr	Colour	Size: L x B x H (mm)	Pack/Pieces
GL32.1	white	100 x 32 x 1	1000
GL32.2	blue	100 x 32 x 2	1000
GL32.3	red	100 x 32 x 3	1000
GL32.4	yellow	100 x 32 x 4	1000
GL32.5	green	100 x 32 x 5	1000
GL32.6	black	100 x 32 x 6	1000

### Width: 34mm

Article Nr	Colour	Size: L x B x H (mm)	Pack/Pieces
GL34.1	white	100 x 34 x 1	1000
GL34.2	blue	100 x 34 x 2	1000
GL34.3	red	100 x 34 x 3	1000
GL34.4	yellow	100 x 34 x 4	1000
GL34.5	green	100 x 34 x 5	1000
GL34.6	black	100 x 34 x 6	1000

### Width: 36mm

Article Nr	Colour	Size: L x B x H (mm)	Pack/Pieces
GL36.1	white	100 x 36 x 1	upon request
GL36.2	blue	100 x 36 x 2	1000
GL36.3	red	100 x 36 x 3	1000
GL36.4	yellow	100 x 36 x 4	1000
GL36.5	green	100 x 36 x 5	1000
GL36.6	black	100 x 36 x 6	1000

### Width: 40mm

Article Nr	Colour	Size: L x B x H (mm)	Pack/Pieces
GL40.1	white	100 x 40 x 1	1000
GL40.2	blue	100 x 40 x 2	1000
GL40.3	red	100 x 40 x 3	1000
GL40.4	yellow	100 x 40 x 4	1000
GL40.5	green	100 x 40 x 5	1000
GL40.6	black	100 x 40 x 6	1000

### Width: 46mm

Article Nr	Colour	Size: L x B x H (mm)	Pack/Pieces
GL46.1	white	100 x 46 x 1	1000
GL46.2	blue	100 x 46 x 2	1000
GL46.3	red	100 x 46 x 3	1000
GL46.4	yellow	100 x 46 x 4	1000
GL46.5	green	100 x 46 x 5	1000
GL46.6	black	100 x 46 x 6	1000

### Width: 50mm

Article Nr	Colour	Size: L x B x H (mm)	Pack/Pieces
GL50.1	white	100 x 50 x 1	1000
GL50.2	blue	100 x 50 x 2	1000
GL50.3	red	100 x 50 x 3	1000
GL50.4	yellow	100 x 50 x 4	1000
GL50.5	green	100 x 50 x 5	1000
GL50.6	black	100 x 50 x 6	1000

### Width: 54mm

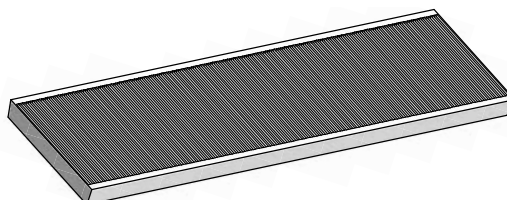
Article Nr	Colour	Size: L x B x H (mm)	Pack/Pieces
GL54.1	white	100 x 54 x 1	500
GL54.4	yellow	100 x 54 x 4	500

### Width: 56mm

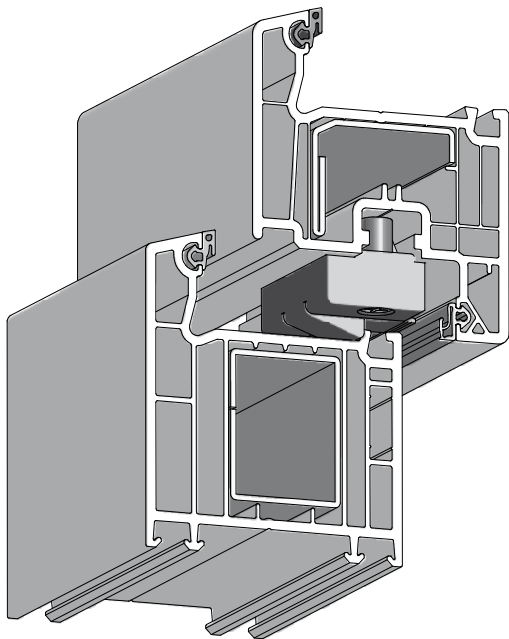
Article Nr	Colour	Size: L x B x H (mm)	Pack/Pieces
GL56.1	white	100 x 56 x 1	500
GL56.2	blue	100 x 56 x 2	500
GL56.3	red	100 x 56 x 3	500
GL56.4	yellow	100 x 56 x 4	500
GL56.5	green	100 x 56 x 5	500
GL56.6	black	100 x 56 x 6	upon request

Ask for proof of compatibility of our Glass packers ift-Guideline VE-05/01.  
We would be pleased to send our Test report 14-001964-PR01  
from 26.03.2015 from IFT Rosenheim.

Glass packers with a width from 24mm and 26mm upon request.

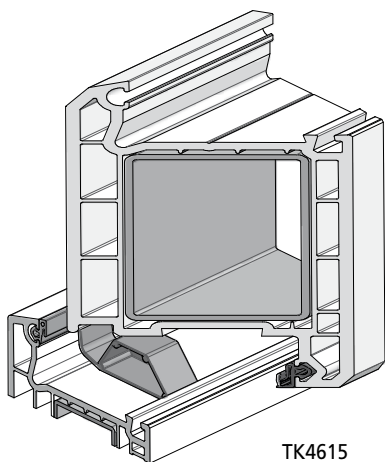
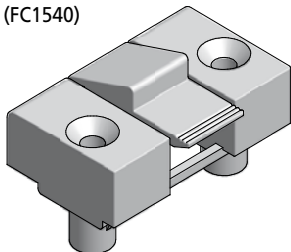


## Dummy sash clips, sash transport clips



Dummy sash clip  
with out screwing into the sash.

(FC1540)



TK4615

### Dummy sash clips

Article Nr	to System	Pack/Pieces
FC1540	ALUPLAST 2000, BluEvolution 82 BRÜGMANN AD73, MD73, GEALAN S3000, KBE 88mm, KÖMMERLING 35, 88, 88plus, Classic, Elegance, PROFINE 76mm REHAU Brilliant, EuroDesign 70, EuroDesign 86plus, Geneo, VEKA Alphaline 90, Softline 70mm, Softline 76mm, Softline 82mm, VEKA Swingline, Topline,	100
FC1541	ALUPLAST Ideal 4000, Ideal 7000, Ideal 8000, BluEvolution 92, SCHÜCO Living 82, CT70, SI82, SI82+	100
FC1542	GEALAN S7000IQ, S8000IQ, S9000, KBE 70mm, REHAU Synego	100
FC1543	SALAMANDER 2D, 3D, Streamline	100

### ATTENTION!

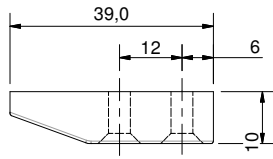
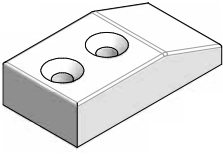
- Minimum of 2 pieces in the vertical and 2 pieces in the horizontal to be used with a spacing of 400 mm, 120mm from the corners.
- When window elements are transported a separate support of the window leaf is to be used.
- The spacing between the leaf and the sash must not be more that 12mm.
- The glass pane has to be supported by a bridge / packer at every point of a dummy clip.
- Frame and leaf are to be joined on both sides with screws.  
Max. distance to the sash clip 50mm.
- Protection against burglary is not given.
- Test for tightness of the sash.

### Transport block

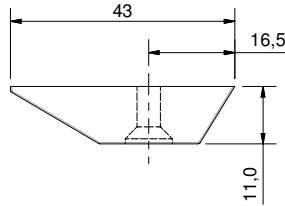
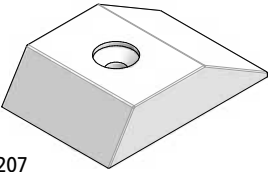
Article Nr	to System	Pack/Pieces
RK7612/red	PROFINE 76mm	2.000
TK4615/red	VEKA 70mm	2.000

# Run up blocks

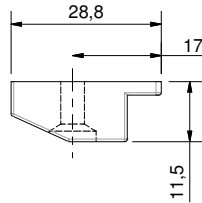
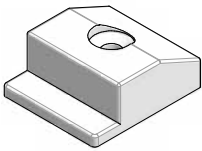
FL3200



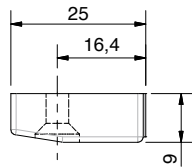
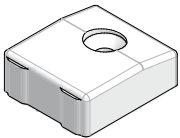
FL3207



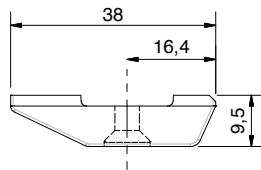
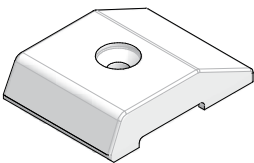
FL3204



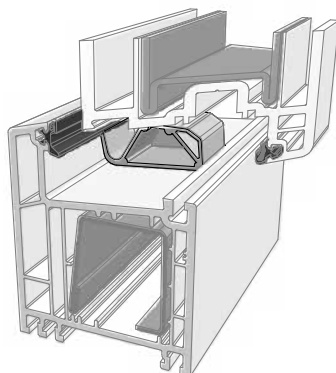
FL2209



FL3209



RK4625

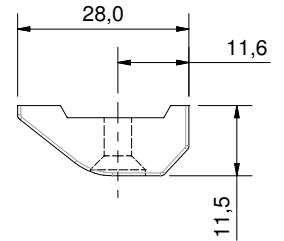
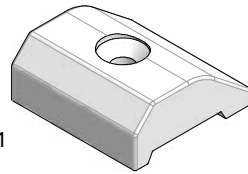


## Sash run up blocks fitting to different Profile systems

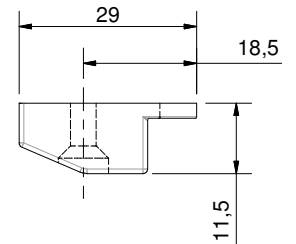
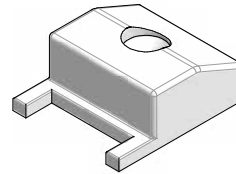
Article Nr	Colour	Height (mm)	Pack/Pieces
FL3200/white	white	10,0	500
FL3204/white	white	11,5	500
FL3207/white	white	11,0	300
FL3207/black	black	11,0	300
FL3208/white	white	11,5	500
FL3211	transparent	11,5	1.000
FL2209/grey*	grey	9,0	100
FL3209/grey*	grey	9,5	300

\* for threshold system "COMBI"

FL3211



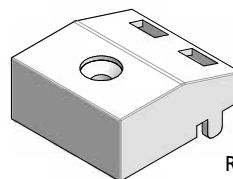
FL3208



## Frame run up blocks fitting to different Profile systems

Article Nr	Colour	to System	Pack/Pieces
RK1853/white	white	VEKA 70mm BRÜGMANN ACCORD	500

RK1853

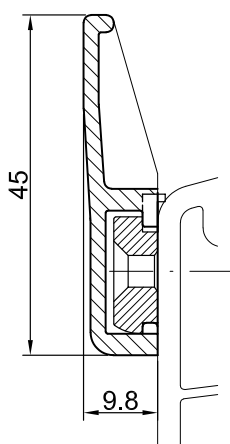
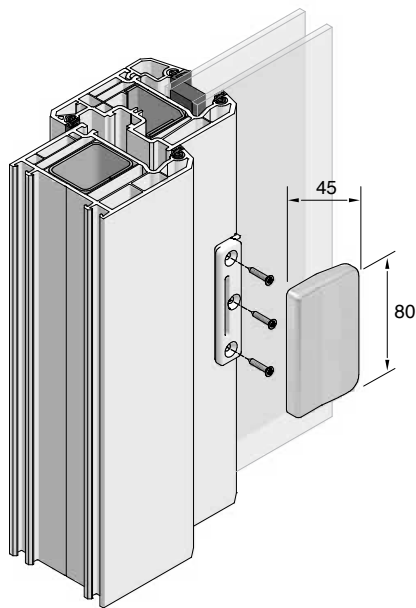


## Frame run up blocks for dummy sash glazing

Article Nr	Colour	to System	Pack/Pieces
RK4625/grey	grey	KÖMMERLING 70mm	200

## Balcony / Patio door handles

- Optically harmonic to Profile
- Screws and clip invisible when mounted (GM29511485.1)
- Fixing plate for easy montage
- Weather and UV resistant after test DIN53387
- Useable for individual Profiles
- Large sortiment of colours available



BG53...

### Balcony / Patio door handles, flat lying only 9.8 mm distance

Article Nr	app RAL	Colour	Fitting to Renolit	Pack/Pieces
BG539016	9016	white		50
BG539010	9010	white	915205	50
BG538022	8022	black brown	851805 887505	50
BG531001	1001	beige	2167009 3069041 3118076	50
BG538014	8014	sepia	2052089 3156003	50
BG538017	8017	chocolate brown	2065021 2097013	50
BG539001	9001	creme white	137905	50

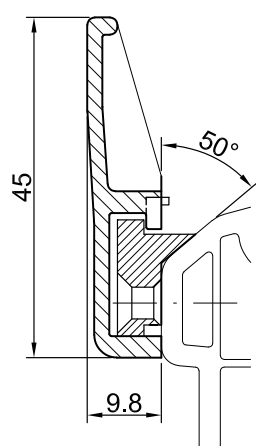
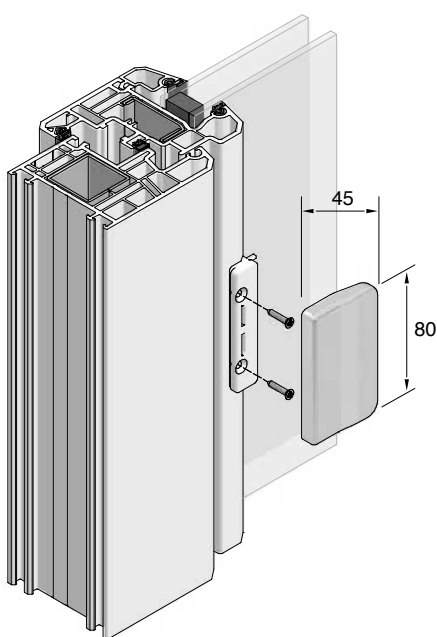
Packed to 50 per box. Single packaging available at extra cost for example BG539016/EV

Article Nr	app RAL	Colour	Fitting to Renolit	Pack/Pieces
BG533000	3000	flame red	305405	10
BG533005	3005	wine red	300505	10
BG535007	5007	brillant blue	500705	10
BG535011	5011	steel blue	515505	10
BG536005	6005	moss green	600505	10
BG536009	6009	tann green	612505	10
BG537001	7001	silver grey	715505	10
BG537004	7004	signal grey	700405	10
BG537012	7012	basalt grey	701205	10
BG537015	7015	slate grey	701505	10
BG537016	7016	anthrazit grey	701605	10
BG537038	7038	achat grey	703805	10
BG537039	7039	quarzgrey	703905	10
BG537047	7047	tele grey 4	725105 901805	10
BG538001	8001	ocker brown	1192001 1192002 2115008 2167010	10
BG538007	8007	fawn brown	2167003 2178001 2178007	10
BG538023	8023	orange brown	1192003 2178001 3152009	10
BG539005	9005	dark black		10
BG539006	9006	white aluminium		10

Packaged in single bags with screws further colours on request.

## Balcony / Patio door handles

- Alternative handle for Profile angles of 50°
- Optically harmonic to Profile
- Invisible screw and mounting plate
- Weather and UV resistant after test DIN53387
- Useable for individual Profiles
- Large sortiment of colours available



BG54...

### Balcony / Patio door handles, flat lying only 9.8 mm distance

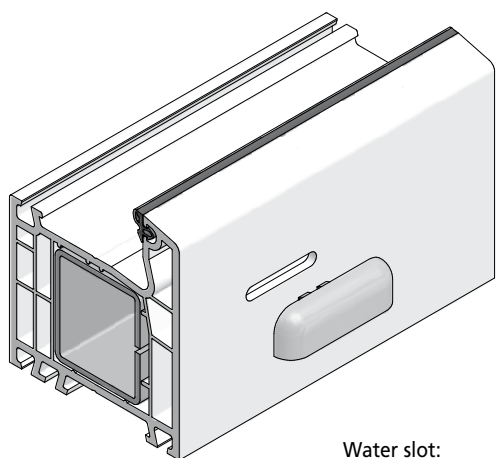
Article Nr	app RAL	Colour	Fitting to Renolit	Pack/Pieces
BG549016	9016	white		50
BG549010	9010	white	915205	50
BG548022	8022	black brown	851805 887505	50
BG541001	1001	beige	2167009 3069041 3118076	50
BG548014	8014	sepia brown	2052089 3156003	50
BG548017	8017	chocolate brown	2065021 2097013	50
BG549001	9001	creme white	137905	50

Packed to 50 per box. Single packaging available at extra cost for example (Art-Nr. z.B. BG549016/EV)

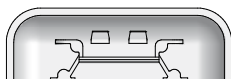
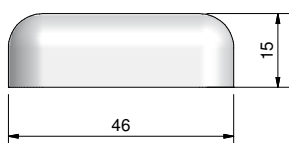
Article Nr	app RAL	Colour	Fitting to Renolit	Pack/Pieces
BG543000	3000	flame red	305405	10
BG543005	3005	wine red	300505	10
BG545007	5007	brillant blue	500705	10
BG545011	5011	steel blue	515505	10
BG546005	6005	moss green	600505	10
BG546009	6009	tann green	612505	10
BG547001	7001	silver grey	715505	10
BG547004	7004	signal grey	700405	10
BG547012	7012	basalt grey	701205	10
BG547015	7015	slate grey	701505	10
BG547016	7016	anthrazit grey	701605	10
BG547038	7038	achat grey	703805	10
BG547039	7039	quarzgrey	703905	10
BG547047	7047	tele grey 4	725105 901805	10
BG548001	8001	ocker brown	1192001 1192002 2115008 2167010	10
BG548007	8007	fawn brown	2167003 2178001 2178007	10
BG548023	8023	orange brown	1192003 2178001 3152009	10
BG549005	9005	dark black		10
BG549006	9006	white aluminium		10

Packaged in single bags with screws.  
Further colours on request.





Water slot:  
Width: 28-30 mm  
Height: 5 mm



- Optically modern form
- Easy clip fitting
- With windstop against unpleasant whistling
- Weather and UV resistant
- Wide range of RAL tones available
- For Profilee wall thickness of 2,8 – 3,6mm
- Material: ASA

## Water drainage slot caps „Softline“

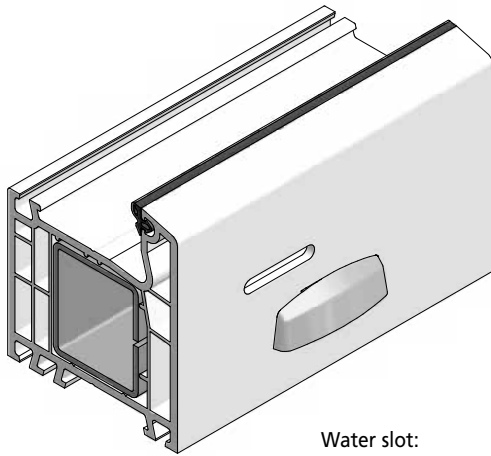
Article Nr	app RAL	Colour	Fitting to Renolit	Pack/Pieces
WS3510		white	915205	500
WS351001	1001	beige	2167009 3069041 3118076	500
WS358001	8001	ocker brown	1192001 1192002 2115008 2167010	500
WS358007	8007	fawn brown	2167003 2178001 2178007	500
WS358014	8014	sepia brown	2052089 3156003	500
WS358017	8017	chocolate brown	2065021 2097013	500
WS358022	8022	black brown	851805 887505	500
WS358023	8023	orange brown	1192003 2178001 3152009	500
WS359001	9001	creme white	137905	500

Packed to 500 in a box / packaging to 100 at extra cost for example (Art-Nr. z.B. WS3510/100)

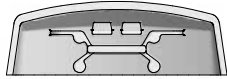
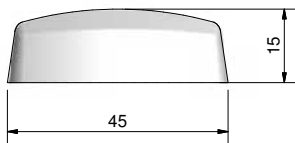
Article Nr	app RAL	Colour	Fitting to Renolit	Pack/Pieces
WS353000	3000	fire red	305405	100
WS353005	3005	wine red	300505	100
WS353011	3011	brown red	308105	100
WS355005	5005	signal blue	503005	100
WS355007	5007	brillant blue	500705	100
WS355011	5011	steel blue	515505	100
WS356005	6005	moss green	600505	100
WS356009	6009	tann green	612505	100
WS357001	7001	silver grey	715505	100
WS357004	7004	signal grey	700405	100
WS357012	7012	basalt grey	701205	100
WS357015	7015	slate grey	701505	100
WS357016	7016	anthrazit grey	701605	100
WS357038	7038	achat grey	703805	100
WS357039	7039	quarzgrey	703905	100
WS357047	7047	tele grey 4	725105 901805	100

Packed to 100 in a bag.

## Water drainage slot caps



Water slot:  
Width: 28-30 mm  
Height: 5 mm



- Optically modern form
- Easy clip fitting
- With windstop against unpleasant whistling
- Weather and UV resistant
- Wide range of RAL tones available
- For Profile wall thickness of 2,8 – 3,6mm
- Material: ASA

### Water drainage slot caps „Topform“

Article Nr	app RAL	Colour	Fitting to Renolit	Pack/Pieces
WS3710		white	915205	500
WS371001	1001	beige	2167009 3069041 3118076	500
WS378001	8001	ocker brown	1192001 1192002 2115008 2167010	500
WS378007	8007	fawn brown	2167003 2178001 2178007	500
WS378014	8014	sepia brown	2052089 3156003	500
WS378017	8017	chocolate brown	2065021 2097013	500
WS378022	8022	black brown	851805 887505	500
WS378023	8023	orange brown	1192003 2178001 3152009	500
WS379001	9001	creme white	137905	500

Packed to 500 in a box / packaging to 100 at extra cost for example (Art-Nr. z.B. WS3510/100)

Article Nr	app RAL	Colour	Fitting to Renolit	Pack/Pieces
WS373000	3000	fire red	305405	100
WS373005	3005	wine red	300505	100
WS373011	3011	brown red	308105	100
WS375005	5005	signal blue	503005	100
WS375007	5007	brillant blue	500705	100
WS375011	5011	steel blue	515505	100
WS376005	6005	moss green	600505	100
WS376009	6009	tann green	612505	100
WS377001	7001	silver grey	715505	100
WS377004	7004	signal grey	700405	100
WS377012	7012	basalt grey	701205	100
WS377015	7015	slate grey	701505	100
WS377016	7016	anthrazit grey	701605	100
WS377038	7038	achat grey	703805	100
WS377039	7039	quarzgrey	703905	100
WS377047	7047	tele grey 4	725105 901805	100
WS379005	9005	jet black		100

Packed to 100 in a bag.

Common RAL tones available for delivery similar to picture



1001 Beige



3000 Flame red



3005 Wine red



3011 Brown red



5005 Signal blue



5007 Brilliant blue



5011 Steel blue



6005 Moss green



6009 Fir green



7001 Silver grey



7004 Signal grey



7012 Basalt grey



7015 Slate grey



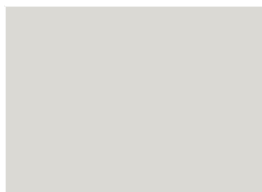
7016 Anthracite grey



7038 Agate grey



7039 quartzgrey



7047 Telegrey 4



8001 Ocker brown



8007 Olive brown



8014 Sepia brown



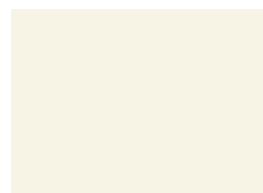
8017 Chocolate brown



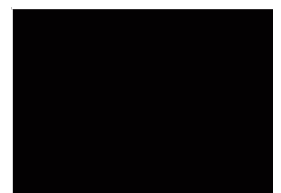
8022 black brown



8023 Orange brown



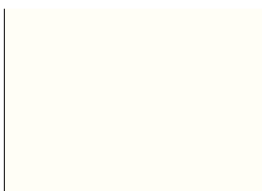
9001 Cream



9005 Jet black



9006 White aluminium



9010 Pure white



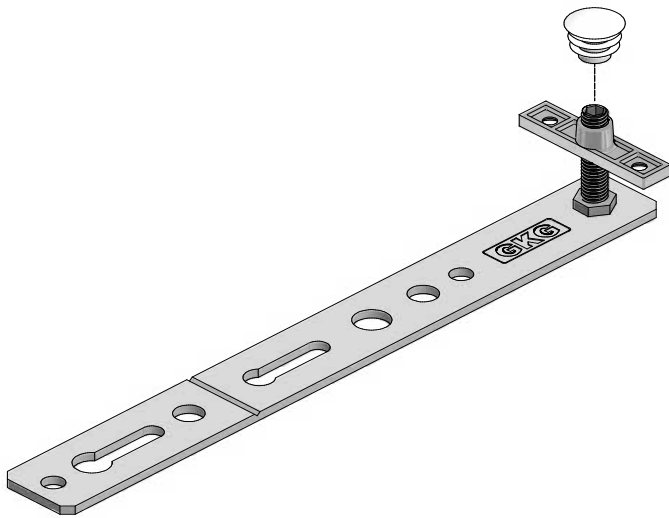
9016 Traffic white

The representation of the RAL CLASSIC colours is done with permission from RAL Germany Institut for quality assurance and marking e.V. Sankt Augustin The RAL CLASSIC collection is covered by copyright, the designation RAL is the registered Trademark for RAL Germany Institute for quality assurance and marking e.V. Sankt Augustin.

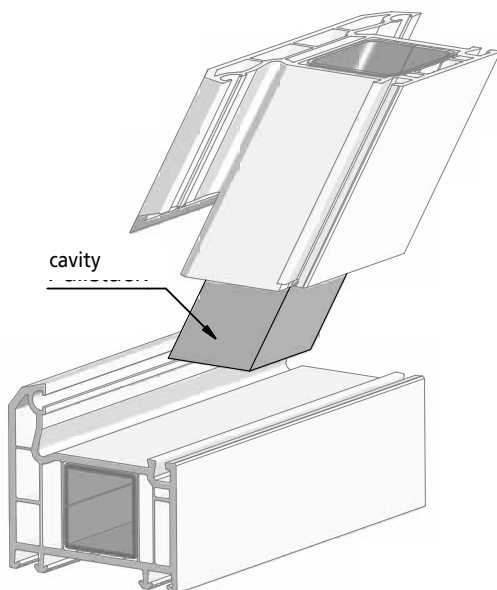
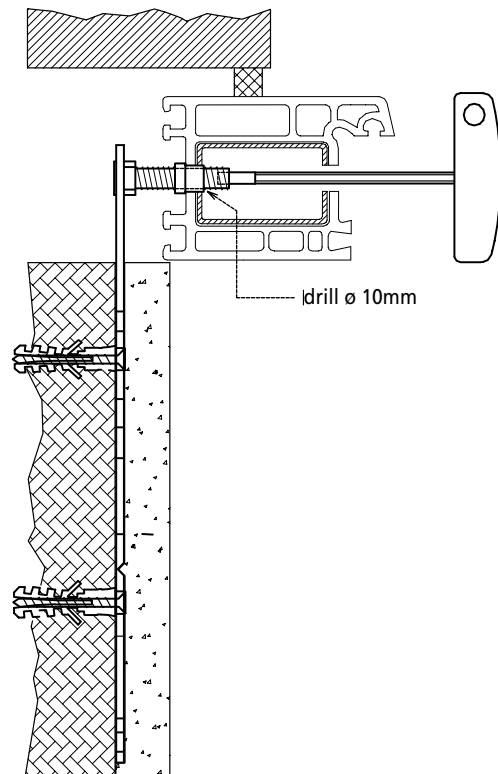
The shown RAL CLASSIC colours serve only as an orientation and replace by no means the usual RAL colours. We give reference here to the official Internet side of the institute for ral: <http://www.ral.de> colour deviations are typographic and quite probable

## Static window anchor, adjustable, cavity filling

- Static and safe joining of the window or door to the brickwork
- Problem free transmission of the arising forces from the brickwork
- Quick mounting through pre drilled holes (10mm)
- Window and door is still adjustable up until it is foamed (3-25mm)
- No support to the lash
- Apart from PU foam, other cavity filling foams can be used
- The lash can be shortened from 220mm to 150mm



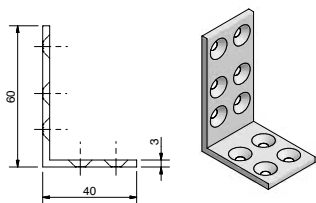
Static window anchor, adjustable			
Article Nr	Adjustability (mm)	Remarks	Pack / Set
FA9340	3 - 25	upon request	50
FA9360	23 - 45	upon request	50
FA9380	43 - 65	upon request	50



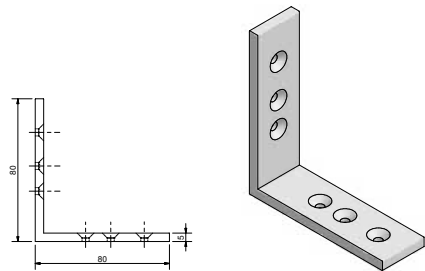
Cavity filling for contour milled doors and angled frames		
Article Nr	Size	Pack/Pieces
FÜ2626	1000x26x26mm	20
FÜ3030	1000x30x30mm	20
FÜ3520	1000x35x20mm	20
FÜ3636	1000x36x36mm	20
FÜ4020	1000x40x20mm	20
FÜ4030	1000x40x30mm	20
FÜ4035	1000x40x35mm	20
FÜ4540	1000x45x40mm	20
FÜ5020	1000x50x20mm	20
FÜ5040	1000x50x40mm	20

Size examples further sizes available upon request  
(Attention: the width and the height cannot be more than 40mm.)

## Static window anchor, adjustable, cavity filling



W3604028



W58025

### Aluminium corner reinforcements (3mm thick)

Article Nr	Size: L x B x H (mm)	perforation	Pack/Pieces
W3604028	60 x 40 x 28	double	200
W3604032	60 x 40 x 32	double	200
W3604038	60 x 40 x 38	double	200

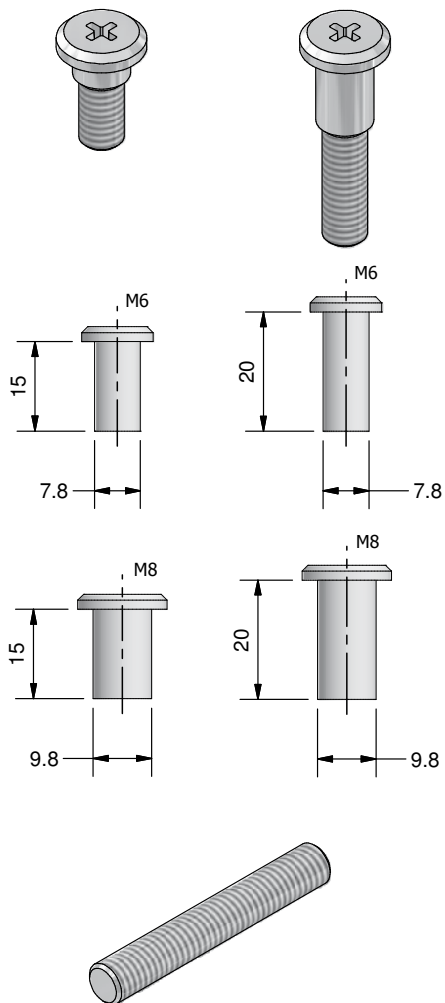
Other widths available upon request. (with a short lead time)

### Aluminium corner reinforcements (5mm thick)

Article Nr	Size: L x B x H (mm)	perforation	Pack/Pieces
W58016	80 x 80 x 16	one	40
W58025	80 x 80 x 25	one	200
W58032	80 x 80 x 32	one	150

Other widths available upon request. (with a short lead time)

### Static coupling, Threaded bolts



### Static coupling, galvanised studs

Article Nr	Colour	Size (mm)	Pack/Pieces
S6x14/si.	silver	M6 x 14	100
S6x29/si.	silver	M6 x 29	100

### Static coupling

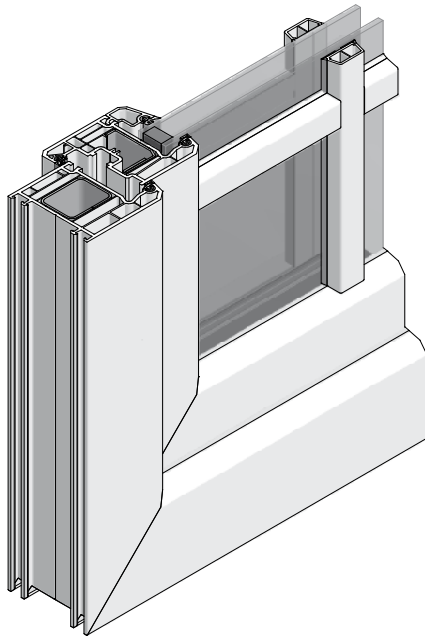
Article Nr	Colour	Size (mm)	Pack/Pieces
HÜ61215/si.	silver	M6 x 15	100
HÜ61220/si.	silver	M6 x 20	100
HÜ81515/si.	silver	M8 x 15	100
HÜ81520/si.	silver	M8 x 20	100

### Threaded bolts

Article Nr	Colour	Size (mm)	Pack/Pieces
GE604	silver	M6 x 40	100
GE645	silver	M6 x 45	100
GE605	silver	M6 x 50	100
GE607	silver	M6 x 70	100
GE608	silver	M6 x 80	100
GE609	silver	M6 x 90	100
GE610	silver	M6 x 100	100
GE612	silver	M6 x 120	100

Article Nr	Colour	Size (mm)	Pack/Pieces
GE807	silver	M8 x 70	100
GE808	silver	M8 x 80	100
GE809	silver	M8 x 90	100
GE810	silver	M8 x 100	100
GE811	silver	M8 x 110	100
GE812	silver	M8 x 120	100
GE815	silver	M8 x 150	100

All Threaded upon request available.



### Glazing bar Profile „Softline“

- PVC Glazing bar Profile with a high load bearing self adhesive strip, equivalent to the specification to that of the automobile industry.
- The adhesive area of the glazing bar goes right up the gasket lip (DW10021429C1)
- No water, mold or any other antibodies under the gasket.
- For 30 years there are over 1 million meters of glazing bar have been mounted. A 10 year long term guarantee is given if fitted by a specialised division, please see our user guidelines for PVC Glazing bar Profiles.
- The application of the glazing bar GSK27.. and GSK47. has been tested by IFT Rosenheim. Please see test report 509 38038-R1 and R1 509 38038-2 R1 from 16.06.2009.
- Quick and easy cut of 15° or 45° with no extra cutting required for the gasket.
- Optically harmonic form for softline window systems with a short lip seal.
- Available for delivery straight away from our Warehouse

### User guidelines for all self adhesive glazing bar Profiles

- 1 Before the application of the glazing bars, the surface of where they are to be applied as to the removal of the adhesive band must be dry and fat free. For the cleaning a clean cloth is to be used. For the exact positioning of the glazing bars the protective foil on the back should only be removed at the ends and after the positioning is OK remove the foil completely. Full surface pressure is to be applied with a roller, see accessories, especially at the ends. If a roller is not available one can be supplied up on request. That the Acryl glue can become hard and reliable the window element must not be moved for 48 Hours.
- 2 The glazing bar Profiles and the glass must be stored and worked with at a room temperature of app. 15° to 25°.
- 3 The glazing bars should not be applied under tension. A minimum distance of 0,5mm and as from a Profile length of more than 60cm a distance of min 0,8mm to other glazing bars or the frames should be used. So that no water can get into these gaps they should be filled with a little sealing adhesive.
- 4 For the cleaning of the glass are spirits, ISO-Propanol or Aceton to be used. The use of any other household glass or plastic cleaner will result in the loss of guarantee!
- 5 The application of the glazing bars on an uneven glass surface is to be done at your own risk! As additional support to the adhesive band it is recommended that montage glue JOWAT 2K-SE-Polymer 691.40 is used.

### Supplementary guidelines for application of color foiled and colored self adhesive glazing bars also white. The following applies just to color foiled and colored glazing bars with a length as from 60cm and for white with a length as from 170cm:

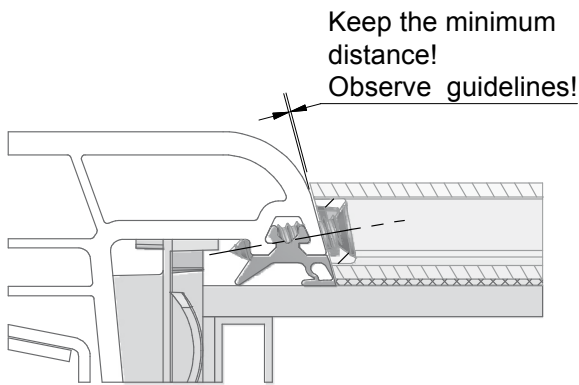
Over expansion of glazing bars may occur by intensive or over exposure to sunlight the glazing bars that are colored, dark renolit foiled or white bars that have an above average length may come loose at the ends. With the glazing bar models GSK272213, GSK342913 and GSK474213 this process is with the use of the fixing FIX2722 or FIX4713 stopped. This fixing (FIX2722/FIX4713) is with stainless steel screws 3,5x16 mounted. See sketch on the right. A stencil for the fixing is available upon request. With the application of the glazing bar fixing can glazing bar Profiles up to a length of 2200mm be applied. If the use of the fixing (FIX2722/FIX4713) is not possible, it is imperative, that the glazing bars are glued at each end to a minimum length of 100mm with the montage glue JOWAT 2K-SE-Polymer 691.40 (Please see sketch on the right). While some glazing bars have one piece adhesive band, a piece is to be cut out with a length of 100mm and a width of 8mm and montage glue applied. Only when the glazing bars are mounted and fixed to these guidelines will a long term functional guarantee of 10 years be given.

*\*The application of the PVC Glazing bars using the above mentioned Fixing method was tested by IFT Rosenheim. See test reports 509 38038/1 and 509 38038/2 from 16.06.2009.*

## PVC Glazing bar Profile – „user guidelines“

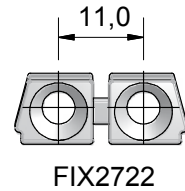
### Fixing of self adhesive glazing bars

- for white and white foiled self adhesive glazing bars with a length > 170cm
- for coloured and coloured foiled self adhesive glazing bars with a length > 60cm

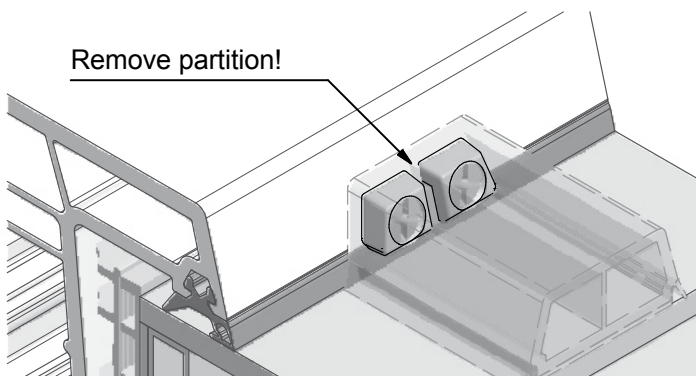
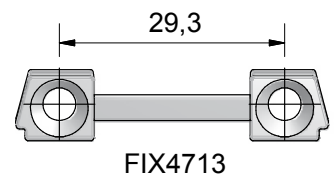


#### Fixing part

- FIX2722 fitting to GSK272213 and GSK342913



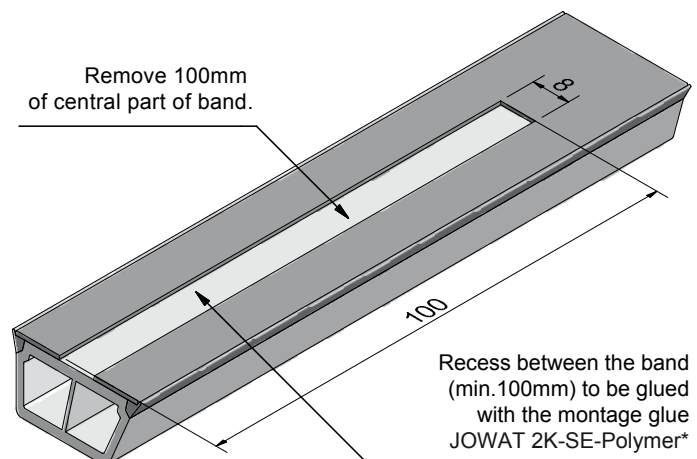
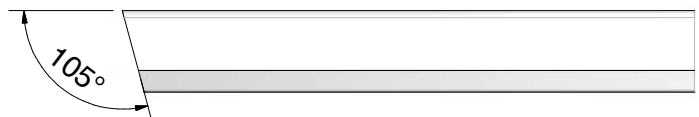
- FIX4713 fitting to GSK474213



Remove partition of fixing before adhesive bonding of the glazing bar !

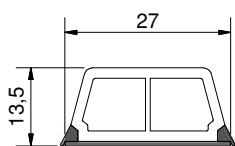
### Application of adhesive glazing bars (if use of fixing part is not possible)

- for white and white foiled self adhesive glazing bars with a length > 170cm
- for coloured and coloured foiled self adhesive glazing bars with a length > 60cm



\* The montage glue is to be spread sparingly in the recess.

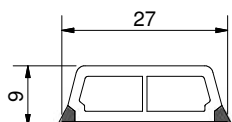
## PVC Glazing bar Profile, self adhesive with soft gasket



### PVC Glazing bar Profile „Softline 15°“ (27x13,5mm), 5000mm long

Article Nr	RAL	Colour	Gasket	Pack / Meter
GSK272213s/9016	9016	white	black	60
GSK272213g/9016	9016	white	grey 7001	60
GSK272213p/9016	9016	white	grey 7035	60

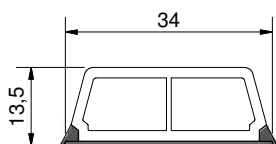
Glazing bars in RAL9001 on request. With foiled bars please place foil and gasket colour on order.



### PVC Glazing bar Profile „Softline 15°“ (27x9mm), 5000mm long

Article Nr	RAL	Colour	Gasket	Pack / Meter
GSK272509s/9016	9016	white	black	100
GSK272509g/9016	9016	white	grey 7001	100
GSK272509p/9016	9016	white	grey 7035	100

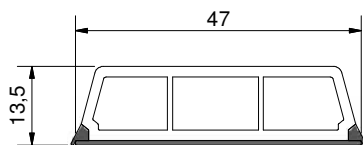
Glazing bars in RAL9001 on request. With foiled bars please place foil and gasket colour on order.



### PVC Glazing bar Profile „Softline 15°“ (34x13,5mm), 5000mm long

Article Nr	RAL	Colour	Gasket	Pack / Meter
GSK342913s/9016	9016	white	black	50
GSK342913g/9016	9016	white	grey 7001	50
GSK342913p/9016	9016	white	grey 7035	50

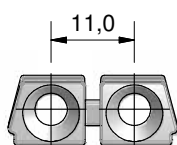
Glazing bars in RAL9001 on request. With foiled bars please place foil and gasket colour on order.



### PVC Glazing bar Profile „Softline 15°“ (47x13,5mm), 5000mm long

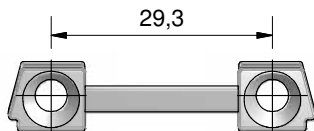
Article Nr	RAL	Colour	Gasket	Pack / Meter
GSK474213s/9016	9016	white	black	50
GSK474213g/9016	9016	white	grey 7001	50
GSK474213p/9016	9016	white	grey 7035	50

Glazing bars in RAL9001 on request. With foiled bars please place foil and gasket colour on order.



### Glazing bar fixing

Article Nr	Fitting to	Colour	Pack/Pieces
FIX2722	GSK272213... GSK342913...	white	50
FIX4713	GSK474213...	white	50



### Mounting roller for Profilemontage

Article Nr	Pack/Pieces
PW1	1

By all glazing bars is the purchase of a mounting roller highly recommended.

### Seal and mounting glue

Article Nr	Remaks	Colour	Contents	Pack/Pieces
JOWAT 691.40	2 Komp. SE-Polymer	black	205g/180ml	12



## PVC Glazing bar Profilee, self adhesive with soft gasket

Foils available for delivery		
Foil Nr. Renolit	Description	
1015.05.167	Hellelfenbein	B
1087.05.167	Zinkyellow	B
1192.001.167	Oregon 4	B
1192.002.167	Fichte	B
1293.001.195	Crown Platin	B
1293.002.195	Quarz Platin	B
1293.010.195	Earl Platin	B
2052.089.167	Mooreiche	A
2065.021.167	Mahagoni	A
2097.013.167	Mahagoni	B
2115.008.167	Oregon 3	B
2140.005.167	Steineiche	B
2140.006.167	Eiche dunkel	B
2178.001.167	Golden oak	A
2178.007.167	Nussbaum	A
3003.05.167	Rubinred	B
3005.05.167	Weinred	B
3054.05.167	Hellred	B
3069.037.167	Douglasie	B
3069.041.167	Bergkiefer	B
3081.05.167	Dunkelred	B
3118.076.168	Büroeiche	B
3149.008.167	Eiche rustikal	B
3152.009.167	Douglasie	B
3156.003.167	Eiche hell	B
3162.002.167	Macore	B
3167.002.168	Eiche tabak	B
3167.004.167	Mooreiche	B
3202.001.167	Black cherry	B
3202.002.167	Rosewood	B
3211.005.148	Irish oak	B
3211.005.167	Irish oak	B
3212.001.167	Golden beach	B
3214.007.195	Rustic Cherry	B
3214.008.195	Cherry blossom	B
3214.009.195	Soft cherry	B

Foils available for delivery		
Foil Nr. Renolit	Description	
3241.002.195	AnTEAK	B
3241.003.195	RusTEAK	B
5002.05.167	Ultramarinblue	B
5004.05.167	Blackblue	B
5007.05.167	Brilliantblue	B
5013.05.167	Kobaltblue	B
5030.05.167	Dunkelblue	B
5150.05.167	Steelblue	B
6004.05.167	Bluegreen	B
6005.05.167	Moosgreen	B
6125.05.167	Dunkelgreen	A
7004.05.083	Signalgrey glatt	B
7004.05.167	Signalgrey	B
7012.05.083	Basaltgrey glatt	B
7012.05.167	Basaltgrey	B
7015.05.083	Schiefergrey glatt	B
7015.05.167	Schiefergrey	B
7016.05.048	Anthrazit glatt	B
7016.05.083	Anthrazit glatt	B
7016.05.167	Anthrazitgrey	A
7016.05.809700	Anthrazitgrey 7016 glatt	2B
7021.05.083	Blackgrey glatt	B
7021.05.167	Blackgrey	B
7023.05.083	Betongrey	B
7023.05.167	Betongrey	B
7038.05.083	Achatgrey glatt	B
7038.05.167	Achatgrey	B
7039.05.083	Quarzugrey glatt	B
7039.05.167	Quarzugrey	B
7155.05.083	Grey glatt	B
7155.05.167	Grey	B
7251.05.083	Light grey glatt	B
7251.05.167	Light grey	B
8099.05.167	Braunmaron	B
8518.05.167	Blackbraun	B
8875.05.167	Schokobraun	B
9925.05.167	Monumentgreen	B

All noted foils are available with the following gaskets  
black ( s ), grey RAL 7001 ( g ),  
grey RAL 7035 ( p ) and caramel ( b )

Foils available for delivery		
Foil Nr. Hornschuch	Description	
F 436.1001	Metbrush alu	B
F 436.1002	Metbrush silver	B
F 436.1004	Metbrush platin	B
F 436.1005	Metbrush quarzugrey	B
F 436.1006	Metbrush anthrazitgrey	B
F 436.1011	Metallic wood mocca	B
F 436.1014	Alux DB 703	B
F 436.2035	Staufereiche terra	B
F 436.3031	Birke Rose	B
F 436.3041	Noce sorrento natur	B
F 436.3042	Noce sorrento balsamico	B
F 436.3043	Cherry amaretto	B
F 436.3052	Teak arte	B
F 436.3058	Walnuss amaretto	B
F 436.5031	Seidengrey	B
F 436.6010	Blackbraun SFTN matt	B
F 436.3062	Walnuss Kolonial	B
F 436.7003	Anthrazitgrey SFTN	B
F 436.7048	Basaltgrey SFTN	B
F 436.7049	Titanium SFTN	B
F 456.5053	White genarbt	A
F 456.5054	Cremeweiss genarbt	A
F 456.5058	Papyruswhite	B

Foils available for delivery		
Foil Nr. Cova	Description	
C49122	Anthrazit glatt	B
C49124	Grey glatt	B
C49195	Canadian Shogun AD	B
C49197	Montana Shogun AC	B
C49198	Indian Shogun AF	B
C49229	Slade grey finesse	B
C49233	Siena PR	B
C49237	Siena PN	B
C49240	Winchester XA	B
C49254	Vermont	B

Notification A: Normally we would have these foils in stock,  
this is however not the case with RAL 7035 (p)  
and caramel (b) lips

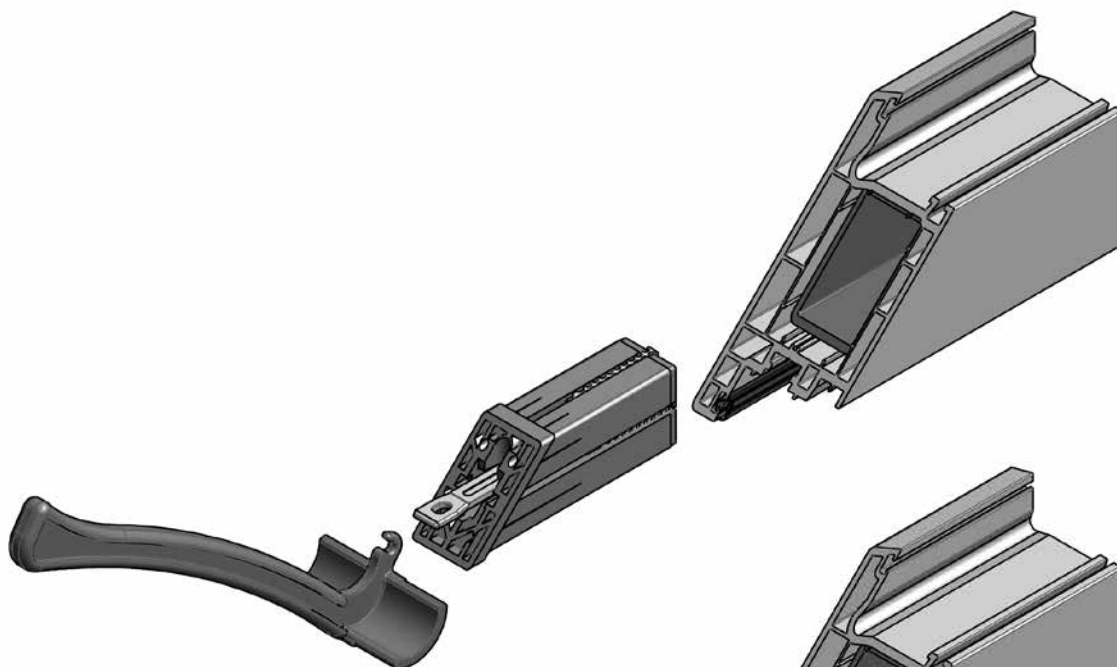
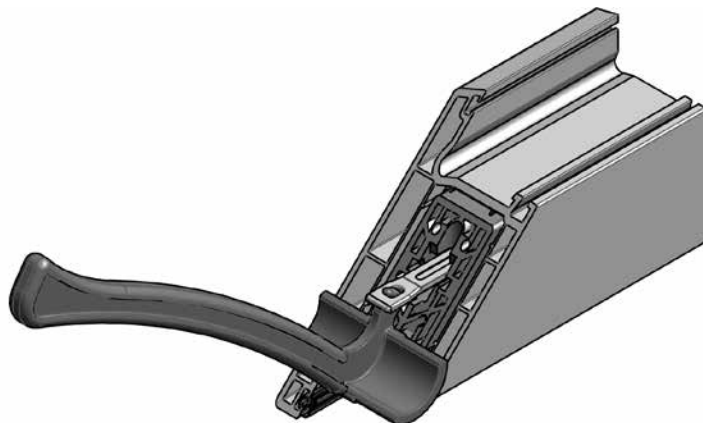
Notification B: These foils will only be produced on the  
strength of an order.  
This is also in conjunction with a lead  
time of 5 to 6 weeks.  
With all orders fewer than 30 mtrs a set up  
surcharge of 30 € per sort will be applied.

Further foils available upon request.

## Weldable corner joint "SVX" with 4 sided bracing

### Weldable Corner joint „SVX“ (Pat. 10109718C1)

- Very quick and easy installation.
- Braced on all sides inside the steel.
- High torsion strength.
- Increase in the general strength of the corners.
- Vibration free function of the door corners with "SVX".
- Reduction of the stagnation pressure once the melting time is over.
- Exact holding of the given standard times.
- Asymmetrical arrangement of the welding surface.
- Mounting lever.

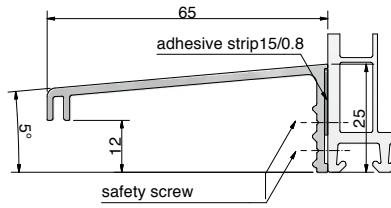


## Weldable corner joint "SVX" with 4 sided bracing

Weldable corner joints "SVX" (1 set = 8 pieces)				
Article Nr	to Steel	to System	Remarks	Pack / Satz
SVX4420	40 x 40 x 2mm	Aluplast Brüggmann 73mm	upon request	6
SVX45452	45 x 45 x 2mm	Deceuninck	upon request	5
SVX4845	47,9 x 45mm	Veka side entrance 70mm Veka side entrance Softline 76 / 82		6
SVX5036-16	50 x 36 x 1,6mm	Trocal Steel	upon request	4
SVX5036-25	50 x 36 x 2,5mm	Trocal Alu	upon request	4
SVX50502	50 x 50 x 2mm	Salamander 3D	upon request	5
SVX5420	50 x 40 x 2mm	Aluplast 2000 - 6000 KBE 58mm Kömmerling Rehau Schüco		6
SVX5430/3mm	50 x 40 x 3mm	Aluplast 2000 - 6000 KBE 58mm Kömmerling Rehau Schüco		6
SVX554525	56 x 45 x 2,5mm	Inoutic Prestige/Elite	upon request	4
SVX564525	46 x 45 x 2,5mm	Veka Alphaline	upon request	5
SVX60452	60 x 45 x 2mm	Salamander Streamline		4
SVX60462	60 x 46 x 2mm	Gealan S8000 Steel	upon request	4
SVX6420	60 x 40 x 2mm	Brüggmann 73mm KBE 70mm Veka 58mm Veka Softline 82 / 76		5
SVX6425	60 x 40 x 2,5mm	Kömmerling 76		5
SVX6430/3mm	60 x 40 x 3mm	Veka Softline 82		5
SVX65452	65 x 45 x 2mm	Veka 70mm		4
SVX65453/3mm	65 x 45 x 3mm	Veka 70mm		4

Mounting lever specific for "SVX"		
Article Nr		Pack/Pieces
MSX02	for all of the above weld blocks	1

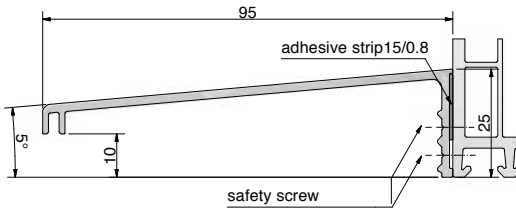
## Aluminium weather side Profile universal



### With self adhesive strip, grade 5°

Article Nr	Colour	Size: L x B x H (mm)	Remarks	Pack / Meter
WS6525SK/SF-5*	EV1 anodized	5000 x 65 x 25,0		50
WS9525SK/SF-5*	EV1 anodized	5000 x 95 x 25,0	upon request	50
WS11525SK/SF-5*	EV1 anodized	5000 x 115 x 25,0	upon request	50

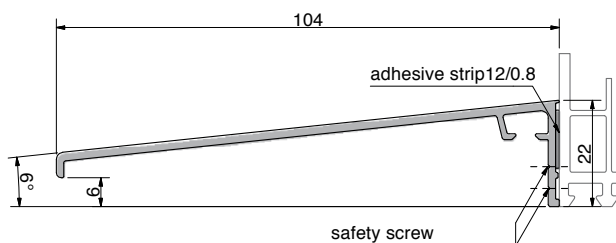
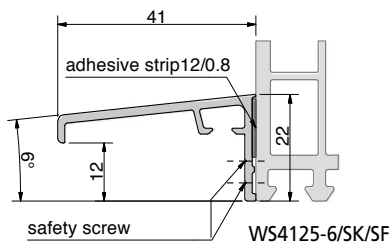
\* with protective foil



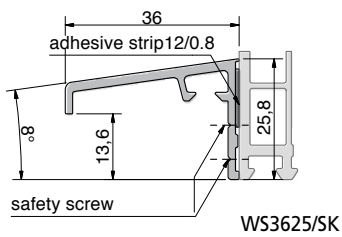
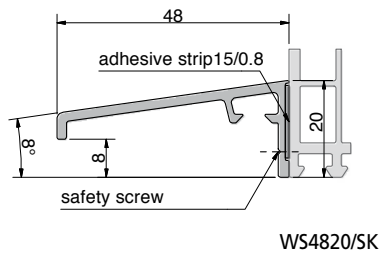
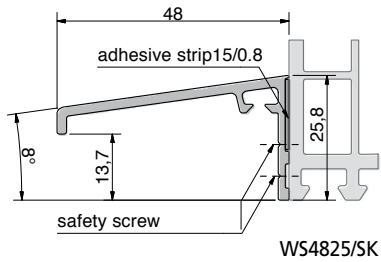
### With self adhesive strip, grade 6°

Article Nr	Colour	Size: L x B x H (mm)	Remarks	Pack / Meter
WS4125-6/SK/SF*	EV1 anodized	5000 x 41 x 22,0		50
WS10422-6/SK/SF*	EV1 anodized	5000 x 104 x 22,0		50

\* with protective foil

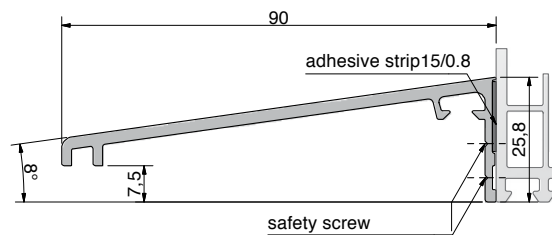


WS10422-6



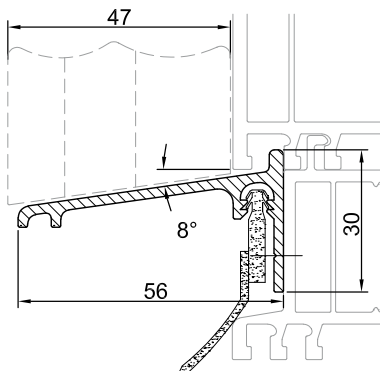
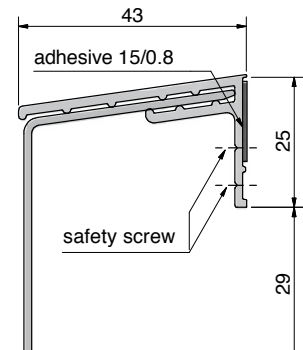
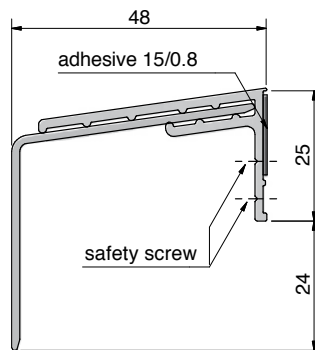
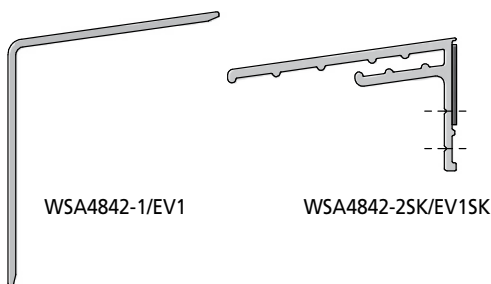
### With self adhesive strip, grade 8°

Article Nr	Colour	Size: L x B x H (mm)	Remarks	Pack / Meter
WS3625/SK	EV1 anodized	5000 x 36 x 25,8	upon request	50
WS4820/SK	EV1 anodized	5000 x 48 x 20,0		50
WS4825/SK	EV1 anodized	5000 x 48 x 25,8		50
WS9025/SK	EV1 anodized	5000 x 90 x 25,8		40



### With self adhesive strip, 2 part

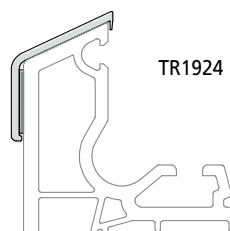
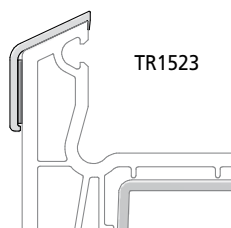
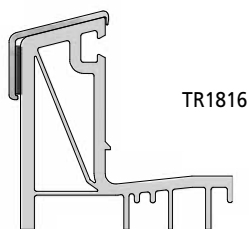
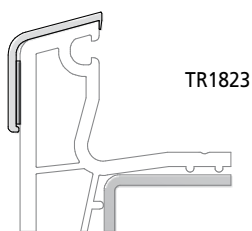
Article Nr	Colour	Size: L x B x H (mm)	Remarks	Pack / Meter
WSA4842-2SK/EV1	EV1 anodized	5000 x 43 x 25,0	upon request	50
WSA4842-1/EV1	EV1 anodized		upon request	50



### Without self adhesive strip

Article Nr	Colour	Size: L x B x H (mm)	Pack / Meter
WS5630	EV1 anodized	4500 x 56 x 30	45

## Aluminium step protection, EV1 anodised, self adhesive 5000mm



### Aluminium step protection fitting to ALUPLAST

Article Nr	Colour	Fitting to Profile	Pack / Meter
TR1823SK	EV1	2000, 4000	150
TR2322SK**	EV1	7000, 8000	150

\*\* upon request

### Aluminium step protection fitting to Brüggmann

Article Nr	Colour	Fitting to Profile	Pack / Meter
TR1816SK	EV1	bluEvolution 82	150
TR1523SK**	EV1	AD73	150
TR1924SK**	EV1	MD73	150

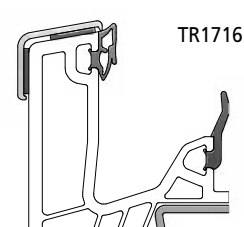
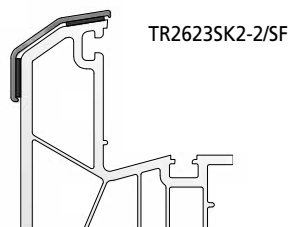
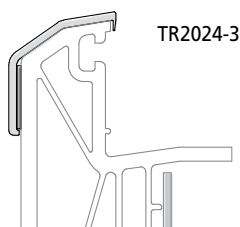
\*\* upon request

### Aluminium step protection fitting to KBE

Article Nr	Colour	Fitting to Profile	Pack / Meter
TR2024SK-3/SF**/**	EV1	70mm	150
TR2623SK2-2/SF**/**	EV1	88mm	150
TR8876*	EV1	88 und 76 AD / MD	150

\* with protective foil

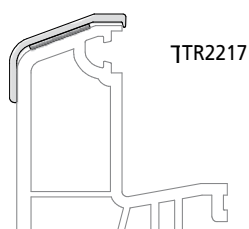
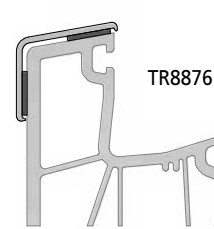
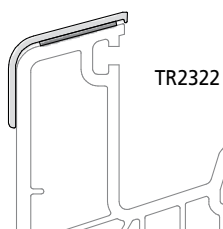
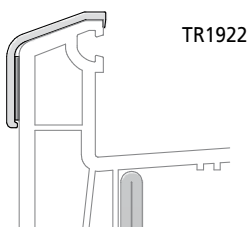
\*\* upon request



### Aluminium step protection fitting to KÖMMERLING

Article Nr	Colour	Fitting to Profile	Pack / Meter
TR1922SK	EV1	Classic	150
TR2322SK**	EV1	88plus	150
TR1716SK/SF*	EV1	76 AD / MD	150
TR8876*	EV1	88 und 76 AD / MD	150

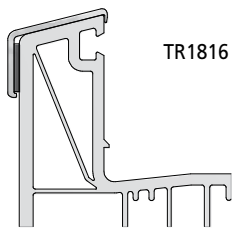
\* with protective foil / \*\* upon request



### Aluminium step protection fitting to REHAU

Article Nr	Colour	Fitting to Profile	Pack / Meter
TR1922SK	EV1	Brillant	150
TR2217SK**	EV1	Geneo	150

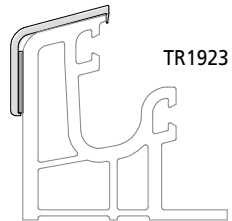
\*\* upon request



TR1816

**Aluminium step protection fitting to SALAMANDER**

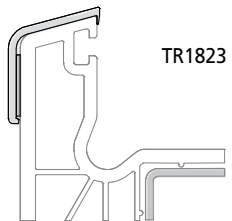
Article Nr	Colour	Fitting to Profile	Pack / Meter
TR1923SK	EV1	3D 15°	150
TR1816SK	EV1	bluEvolution 82	150



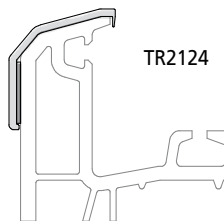
TR1923

**Aluminium step protection fitting to SCHÜCO**

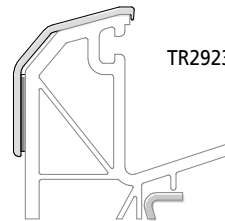
Article Nr	Colour	Fitting to Profile	Pack / Meter
TR1823SK	EV1	Corona CT70 / S182, Living 82	150



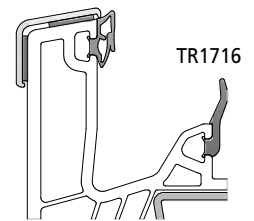
TR1823



TR2124



TR2923

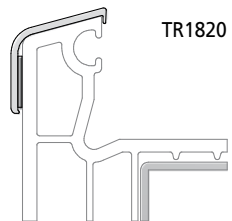


TR1716

**Aluminium step protection fitting to TROCAL**

Article Nr	Colour	Fitting to Profile	Pack / Meter
TR2124SK	EV1	Innonova 70 MD	150
TR2923SK**	EV1	Trocal 88	150
TR8876*	EV1	88 und 76 AD / MD	150

\* with protective foil / \*\* upon request

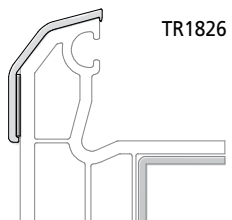


TR1820

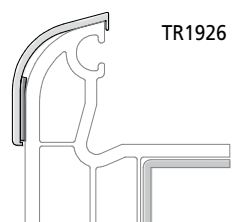
**Aluminium step protection fitting to VEKA**

Article Nr	Colour	Fitting to Profile	Pack / Meter
TR1820SK	EV1	Softline 70mm, 76mm, 82mm	150
TR1826SK**	EV1	Topline AD	150
TR2124SK**	EV1	Topline MD	150
TR2424SK**	EV1	Alphaline 101.236, 101.237	150

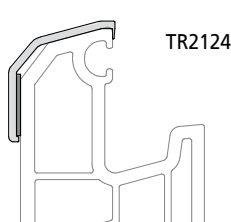
\*\* upon request



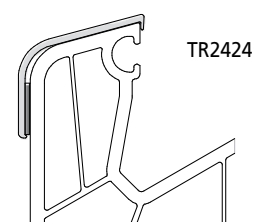
TR1826



TR1926



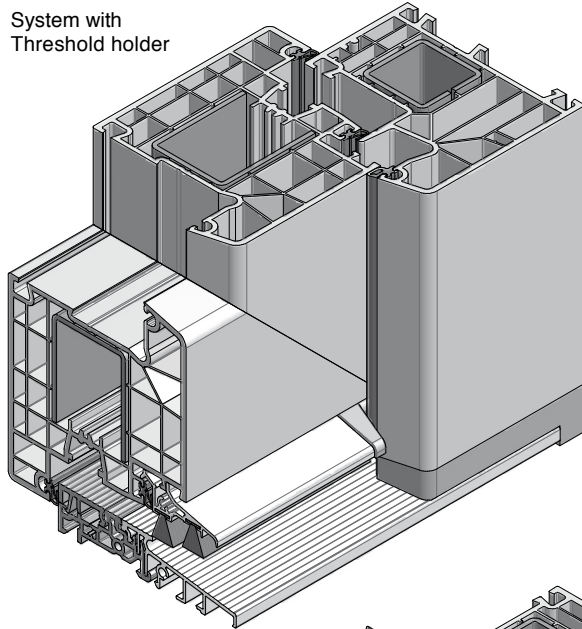
TR2124



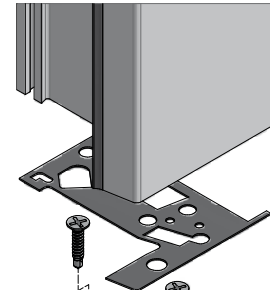
TR2424

# Threshold system „COMBI PLUS“

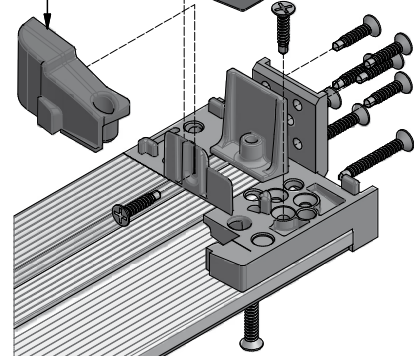
System with  
Threshold holder



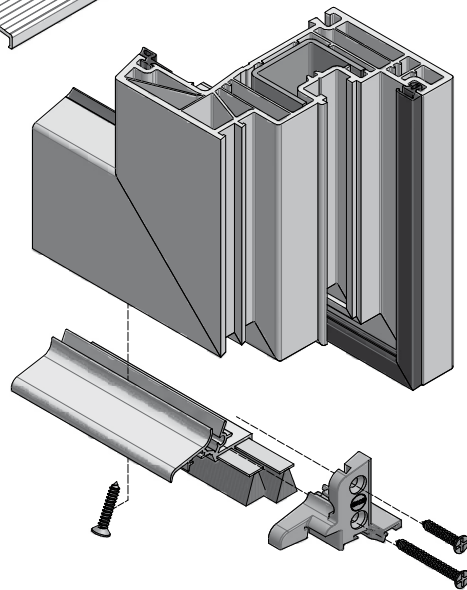
Threshold holder (SH...)



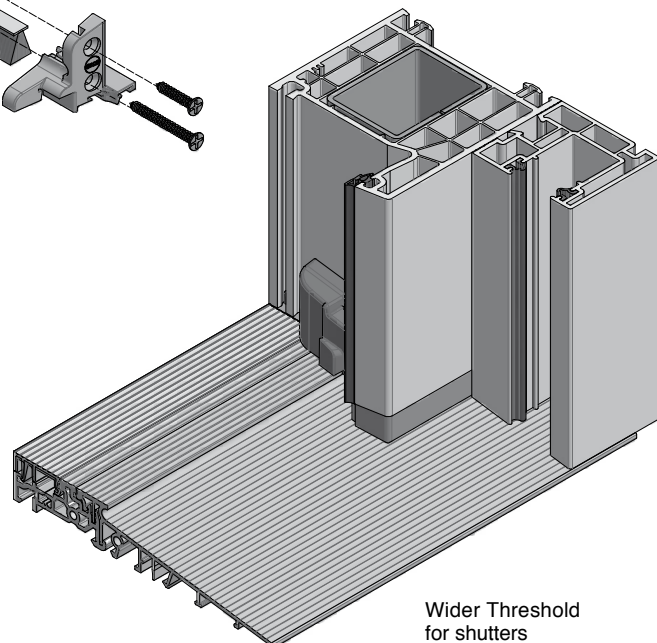
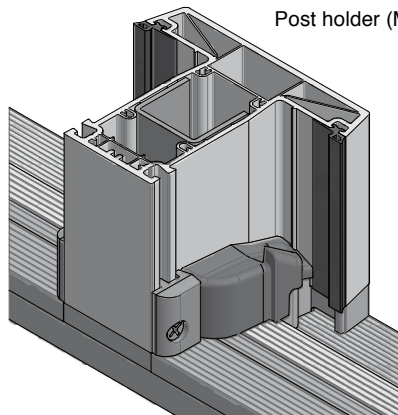
Recess seal



Leaf with  
weaterside profile  
and end cap

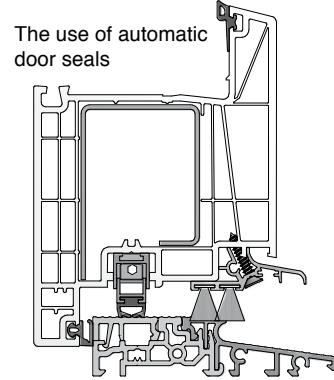
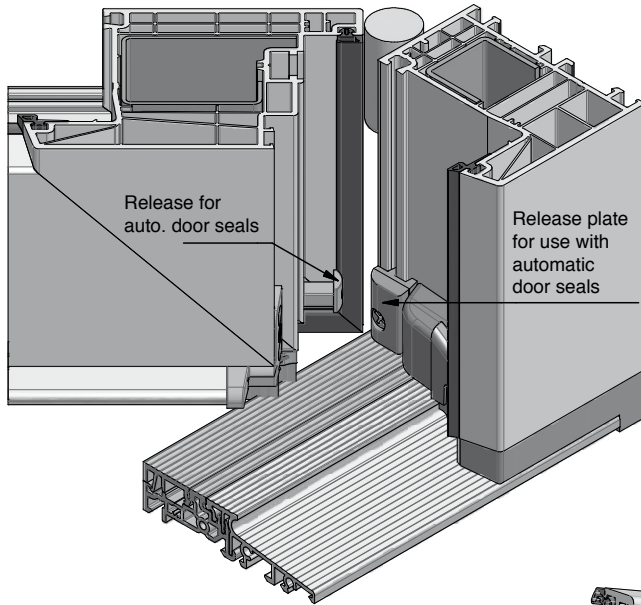


Post holder (MH...)

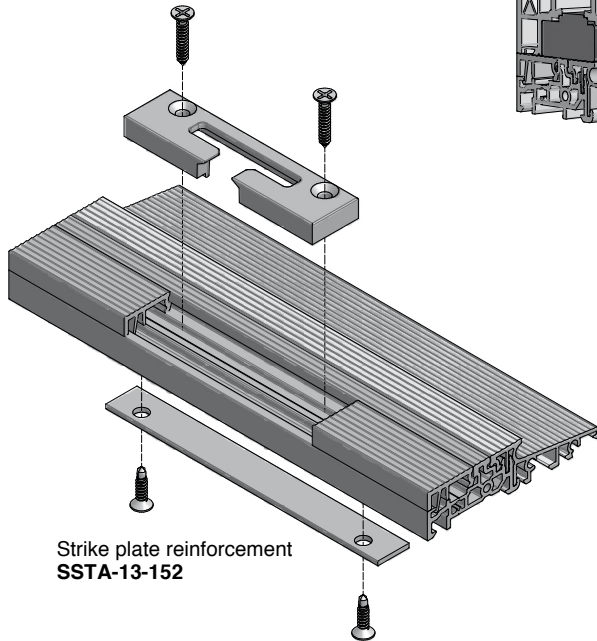
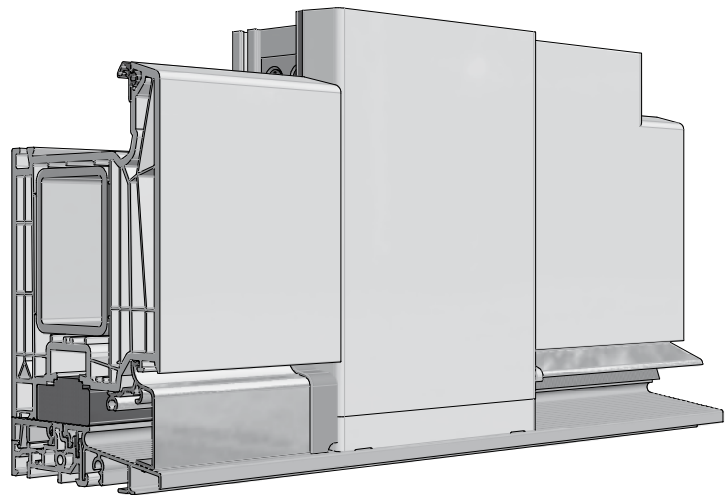


Wider Threshold  
for shutters

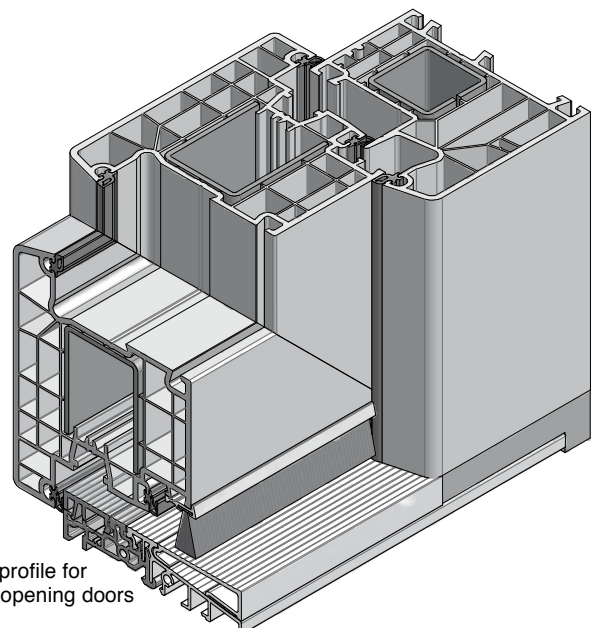




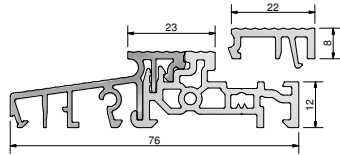
Adapter profile for permanent side lights



Adapter profile for outward opening doors



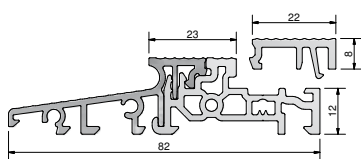
## Threshold system „COMBI PLUS“



### Threshold 76mm Depth - without Thermal bridge, with strike plate strip, (Size: 76x20x4500mm)

Article Nr	Fitting to System	Remarks	Pack/meter
TS87612-FL	KÖMMERLING 76mm Fitting threshold packer: TSUK6230/RC, TSUK6265/RC, TSUK68-30, TSUK68-100, TSUK68-150, TSUK4135, TSUK4180, TSUK5049 (all vers.), Koem- merling VB76700, 0207, 0301, 0998	Alu EV1 / PVC grey, 22mm PVC- Inlay loose	36
TS87612-24-FL	as above	24mm inlay loose	36

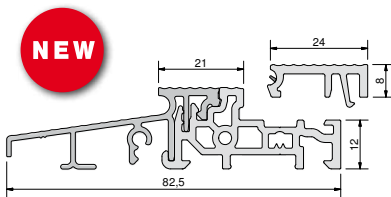
\*Available in black upon request



### Threshold 82mm Depth - without Thermal bridge, with strike plate strip, (Size: 82x20x4500mm)

Article Nr	Fitting to System	Remarks	Pack/meter
TS88210-FL	BRÜGMANN / SALAMANDER BLUEVOLUTION 82 Fitting threshold packer: TSUK6230/RC, TSUK6265/RC, TSUK68-30, TSUK68-100, TSUK68-150, TSUK4135, TSUK4180, TSUK5049 (all vers.), Aluplast 120221, Salamander 416-160/170/176	Alu EV1 / PVC grey, 22mm PVC-Inlay loose	36

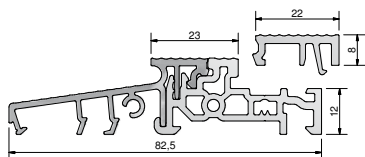
\*Available with 24mm Inlay upon request



### Threshold 82 mm Depth - without Thermal bridge, with strike plate strip, (Size: 82,5x20x4500mm)

Article Nr	Fitting to System	Remarks	Pack/meter
TS88220-24-FL	Schüco Living 82 Fitting threshold packer: TSUK6230/RC, TSUK6265/RC, TSUK68-30, TSUK68-100, TSUK68-150, TSUK4135, TSUK4180, TSUK5049 (all vers.), Schüco 9841, 9842, 9843	Alu EV1 / PVC grey, 24mm PVC-Inlay loose	36

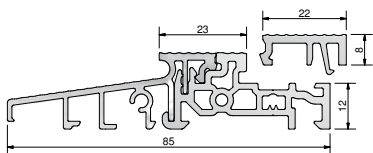
\*Available with 22mm inlay upon request



### Threshold 83 mm Depth - without Thermal bridge, with strike plate strip, (Size: 82,5x20x4500mm)

Article Nr	Fitting to System	Remarks	Pack/meter
TS88310-FL	GEALAN 9000 Fitting threshold packer: TSUK6230/RC, TSUK6265/RC, TSUK68-30, TSUK68-100, TSUK68-150, TSUK4135, TSUK4180, TSUK5049 (all vers.), Gealan 52.../729	Alu EV1 / PVC grey, 22mm PVC-Inlay loose	36

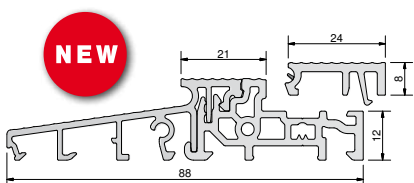
\*Available with 24mm inlay upon request



### Threshold 85mm Depth - without Thermal bridge, with strike plate strip, (Size: 85x20x4500mm)

Article Nr	Fitting to System	Remarks	Pack/meter
TS88510-FL	ALUPLAST 7000/8000 Fitting threshold packer: TSUK6230/RC, TSUK6265/RC, TSUK68-30, TSUK68-100, TSUK68-150, TSUK4135, TSUK4180, TSUK5049 (all vers.), Aluplast 120-221/ 223/ 242	Alu EV1 / PVC grey, 22mm PVC-Inlay loose	36

\*Available with 24mm inlay upon request

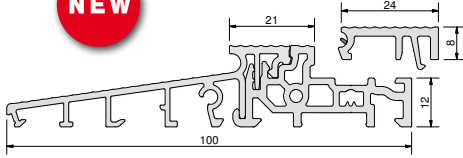


### Threshold 88mm Depth - without Thermal bridge, with strike plate strip, (Size: 88x20x4500mm)

Article Nr	Fitting to System	Remarks	Pack/meter
TS88810-24-FL	PROFINE 76mm / PROFINE 88mm Fitting threshold packer: TSUK6230/RC, TSUK6265/RC, TSUK68-30, TSUK68-100, TSUK68-150, TSUK4135, TSUK4180, TSUK5049 (all vers.), Koemmerling 70mm threshold packer, VB76700-04, 0998, VB88700-03	Alu EV1 / PVC grey, 24mm PVC-Inlay loose	27

\*Available with 22mm inlay upon request

**NEW**



**Threshold 100mm Depth - without Thermal bridge, with strike plate strip, (Size: 100x20x4500mm)**

Article Nr	Fitting to System	Remarks	Pack/meter
TS810010-24-FL	PROFINE 88 PVC Alu Fitting threshold packer: TSUK6230/RC, TSUK6265/RC, TSUK68-30, TSUK68-100, TSUK68-150, TSUK4135, TSUK4180, TSUK5049 (all vers.), Koemmerling 70mm threshold packer, VB76700-04, 0998 , VB88700-03	Alu EV1 / PVC grey, 24mm PVC-Inlay loose	27

\*Available with 22mm Inlay upon request

**124mm Depth - without Thermal bridge, with strike plate strip, (Size: 124x20x4500mm)**

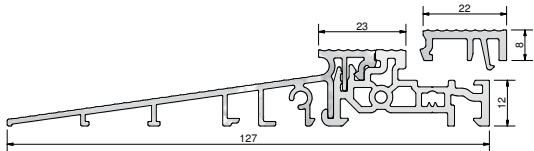
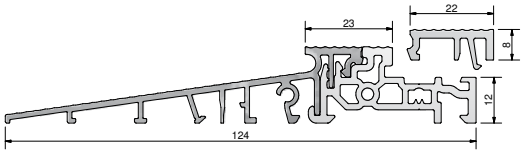
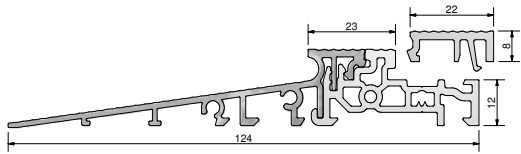
Article Nr	Fitting to System	Remarks	Pack/meter
TS812410-FL	BRÜGMANN / SALAMANDER BLUEVOLUTION 82 Fitting threshold packer: TSUK6230/RC, TSUK6265/RC, TSUK68-30, TSUK68-100, TSUK68-150, TSUK4135, TSUK4180, TSUK5049 (all vers.), Aluplast 120221, Salamander 416-160/170/176	Alu EV1 / PVC grey, 22mm PVC-Inlay loose	27
TS812411-FL	KÖMMERLING 76mm Fitting threshold packer: TSUK6230/RC, TSUK6265/RC, TSUK68-30, TSUK68-100, TSUK68-150, TSUK4135, TSUK4180, TSUK5049 (all vers.), Koem- merling VB76700, 0207, 0301, 0998	Alu EV1 / PVC grey, 22mm PVC-Inlay loose	27

\*Available with 24mm Inlay upon request

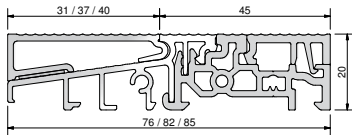
**Threshold 127mm Depth - without Thermal bridge, with strike plate strip, (Size: 127x20x4500mm)**

Article Nr	Fitting to System	Remarks	Pack/meter
TS812710-FL	ALUPLAST 7000/8000 Fitting threshold packer: TSUK6230/RC, TSUK6265/RC, TSUK68-30, TSUK68-100, TSUK68-150, TSUK4135, TSUK4180, TSUK5049 (all vers.), Aluplast 120-221/ 223/ 242	Alu EV1 / PVC grey, 22mm PVC-Inlay loose	27

\*Available with 24mm Inlay upon request

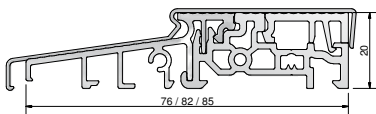


## Threshold system „COMBI PLUS“



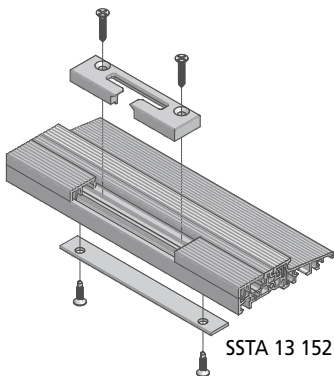
### Aluminium-Adapter Profile for Thresholds for outward opening doors

Article Nr	Fitting to Threshold	Fitting to System	Colour	Pack/meter
TSA8761SK	TS87610-FL, TS87610-24-FL	Kömmerling 76	EV1	45
TSA8851SK	TS88510-FL	Aluplast 7000 / 8000	EV1	45
TSA8821SK	TS88210-FL	bluEvolution AD/MD	EV1	45
TSA8831SK	TS88310-FL, TS88220-24-FL	Gealan 9000, Schüco Living 82	EV1	45
TSA8881SK	TS88810-FL, TS88810-24-FL	Profine 88	EV1	45
TSA81001SK	TS810010-FL, TS810010-24		EV1	45



### Protective decking for Thresholds, 980mm long

Article Nr	Fitting to Threshold	Colour	Pack/Pieces
TSAD5190	TS87610-FL, TS88210-FL, TS88510-FL, TS88310-FL, TS88810-FL (all vers.), TS88220-24-FL	grey	30

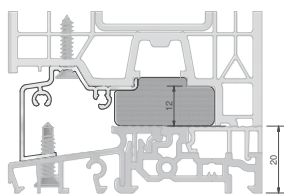


### Striker reinforcement for high protection against intruders

Article Nr	Fitting to Threshold	Colour	Comments	Pack/Pieces
SSTA-13-152	COMBI PLUS	Galvanized Steel	with screw holes	50

Request our test report for this with the report number 45-23/15 from PIV Testing Institute Locks and Fittings on compliance with the requirements of DIN EN 1627-1630 in the resistance class RC2 / RC2N

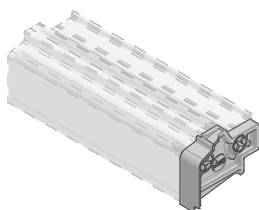
Successfully tested was a 2 sash French door from bluEvolution 82 AD with a flat Threshold and striker reinforcement SSTA-13-152 installed. The tested filled the requirements of the above named DIN 1627-1630



TSAF8761

### Threshold adapter Profile for fixed sidelights in Aluminium

Article Nr	Fitting to Threshold	Fitting to System	Colour	Pack/meter
TSAF8761/EV1	TS87612-FL, TS87612-24-FL	Kömmerling 76 AD	EV1	45
TSAF87851/EV1	TS88510-FL	Aluplast 7000	EV1	45
TSAF8821/EV1	TS88210-FL	bluEvolution AD/MD	EV1	45
TSAF8831/EV1	TS88310-FL	Gealan 9000	EV1	45
TSAF8881/EV1	TS88810-FL, TS88810-24-FL	Profine 88	EV1	45
TSAF85394/EV1	TS88220-24-FL	Schüco Living 82	EV1	45



EKF87601

### Sealing end cap for use with Threshold sidelight Profile, grey

Article Nr	Fitting to Threshold	Fitting to System	Colour	Pack / Pair
EKF87601g	TSAF8761/EV1	Kömmerling 76 AD	grey	20
EKF87851g	TSAF87851/EV1	Aluplast 7000	grey	20
EKF88201g	TSAF8821/EV1	bluEvolution AD/MD	grey	20
EKF88301g	TSAF8831/EV1	Gealan 9000	grey	20
EKF88302g	TSAF85394/EV1	Schüco Living 82	grey	20
EKF8881g	TSAF8881/EV1	Profine 88	grey	20

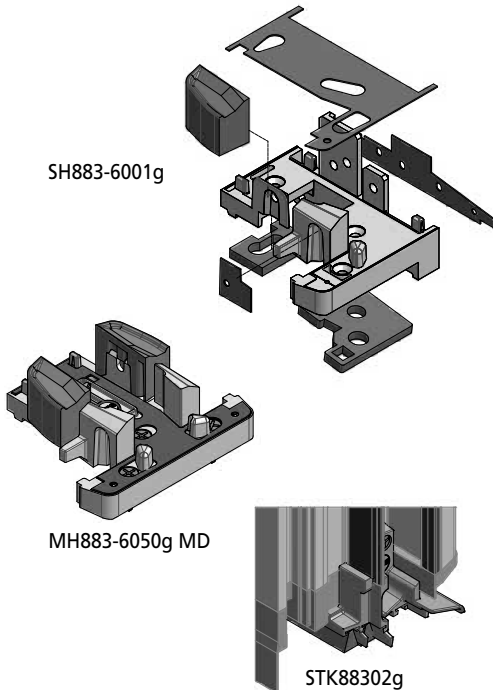
<b>ALUPLAST</b>		Threshold holder (SH...), Middle post holder (MH...), French door end caps (STK...), Automatic seal release (DTE...), Endholder (EH...) in plastic, fitting to ALUPLAST 7000/8000 in grey				
<p>SH8785-03g AD</p>	Article Nr	to Profile	Frame	Width	Pack / Pair	
	SH8785-02 AD7000g	Aluplast 7000 AD	170x02	70mm	20	
	SH8785-03 AD7000g	Aluplast 7000 AD	170X03	80mm	20	
	SH8785-03 AD7000-r-g	Aluplast 7000 AD	170X03 round line	80mm	20	
	SH885-03 MD8000g	Aluplast 8000 MD	180X03, 080X03	80mm	20	
	SH885-03 MD8000-r-g	Aluplast 8000 MD	180X03 round line	80mm	20	
	SH885-04 MD8000g	Aluplast 8000 MD	180X04, 080X04	100mm	20	
	SH885-05 MD8000g	Aluplast 8000 MD	180X05, 080X05	80mm	20	
	<p>MD</p>	Article Nr	to Profile	Profile	Width	Pack/Pieces
		MH8785-41 AD7000g	Aluplast 7000 AD	170X41	84mm	20
MH8785-44 AD7000g		Aluplast 7000 AD	170X44	104mm	20	
MH8785-44 AD7000-r-g		Aluplast 7000 AD	170X44 round line	104mm	20	
MH885-43 MD8000-r-g		Aluplast 8000 MD	180X43 round line	104mm	20	
MH885-44g MD8000g		Aluplast 8000 MD	180X44	104mm	20	
<p>DTE87851 AD 7000</p>	Article Nr	to Profile	Profile	Width	Pack/Pieces	
	STK87852g/left	Aluplast 7000 AD	170X64	left	10	
	STK87852g/right	Aluplast 7000 AD	170X64	right	10	
	STK8852g/left	Aluplast 8000 MD	180X64, 180X65, 180X66	left	10	
	STK8852g/right	Aluplast 8000 MD	180X64, 180X65, 180X66	right	10	
	STK8853g/left	Aluplast 8000 MD	080X89	left	10	
STK8853g/right	Aluplast 8000 MD	080X89	right	10		
<p>*upon request!</p>	Article Nr	to Profile	Frame / Profile	Remarks	Pack/Pieces	
	DTE87851 AD 7000	Aluplast 7000 AD	universal	for use with drop down seal	10	
Article Nr	to Profile	Frame	Colour	Pack / Pair		
EH88501g*	Aluplast 7000/8000	universal	grey	50		

<b>bluEvolution 82</b>		Threshold holder (SH...), Middle post holder (MH...), French door end caps (STK...), Automatic seal release (DTE...), Endholder (EH...) in plastic, fitting to SALAMANDER/BRÜGMANN bluEvolution 82 in grey				
<p>SH882-8020</p>	Article Nr	to Profile	Frame	Width	Pack / Pair	
	SH882-8020g AD/MD	BluEvolution 82 AD/ MD	HO9020 MD, HO8020 AD*	73mm	20	
	SH882-8030g AD	BluEvolution 82 AD	HO8030 AD*	83mm	20	
	SH882-9110g MD	BluEvolution 82 MD	HO9110 MD	108mm	20	
	SH882-9220g MD	BluEvolution 82 MD	HO9220 MD	73mm rounded	20	
* AD only in combination with DTH82-8020. Please order separately !						
<p>MH882-8310</p>	Article Nr	to Profile	Profile	Width	Pack/Pieces	
	MH882-8310g AD/MD	BluEvolution 82 AD/ MD	HO8320 MD, HO8310 AD*, HO9320AD*	96mm	20	
	MH882-9330g MD	BluEvolution 82 MD	HO9330, HO9430	116mm	20	
	MH882-9420g AD/MD	BluEvolution 82 AD/ MD	HO9420	96mm rounded	20	
* AD only in combination with DTH82-8020. Please order separately !						
<p>DTH882-8020</p>	Article Nr	to Profile		Comments	Pack / Pair	
	DTH882-8020	BluEvolution 82 AD		inc. seal	50	
	Article Nr	to Profile	Frame / Profile	Width	Pack / Pair	
	SA882-801g/AD	BluEvolution 82 AD	universal	inc. seal	20	
SA882-901g/MD	BluEvolution 82 MD	universal		20		
<p>STK88201g</p>	Article Nr	to Profile	Profilee Nr	DIN	Pack/Pieces	
	STK88201g/left	BluEvolution 82 MD	HO9800, HO9810, HO9820	left	10	
	STK88201g/right	BluEvolution 82 MD	HO9800, HO9810, HO9820	right	10	
Article Nr	to Profile	Frame	Comments	Pack / Pair		
EH882-8020g	BluEvolution 82 AD/ MD	universal	upon request	50		

## Threshold system „COMBI PLUS“

### GEALAN

Threshold holder (SH...), Middle post holder (MH...), French door end caps (STK...), in plastic, fitting to GEALAN 9000 in grey

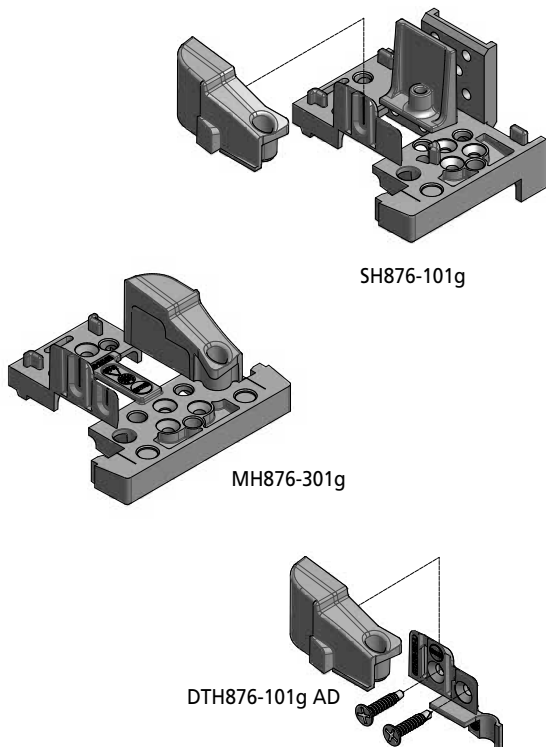


Article Nr	to Profile	Frame	Width	Pack / Pair
SH883-6001g	9000 AD	6001	70mm	20
SH883-6002g	9000 MD	6002	70mm	20
SH883-6015g	9000 AD	6015	84mm	20
SH883-6016g	9000 MD	6016	84mm	20
SH883-6035g	9000 AD	6035	135mm	20
SH883-6036g	9000 MD	6036	113mm	20
Article Nr	to Profile	Profilee	Width	Pack/Pieces
MH883-6021g AD	9000 AD	6021	108mm	20
MH883-6022g MD	9000 MD	6022	108mm	20
MH883-6049g AD	9000 AD	6049	92mm	20
MH883-6050g MD	9000 MD	6050	92mm	20
Article Nr	to Profile	Frame / Profile		Pack / Pair
SA883-01g/AD	9000 AD	universal		20
SA883-02g/MD	9000 MD	universal		20
Article Nr	to Profile	Profile Nr	DIN	Pack/Pieces
STK88302g/left	WSA88302	6012, 6020	left	10
STK88302g/right	WSA88302	6012, 6020	right	10
STK88303g/left	WSA88302	6029, 6301	left	10
STK88303g/right	WSA88302	6029, 6301	right	10
STK88304g/left*	WSA88302	6012/Endcap 6427	left	10
STK88304g/right*	WSA88302	6012/Endcap 6427	right	10

\* Only for use with floating mullion Profile 6012 and 6427

### PROFINE 76

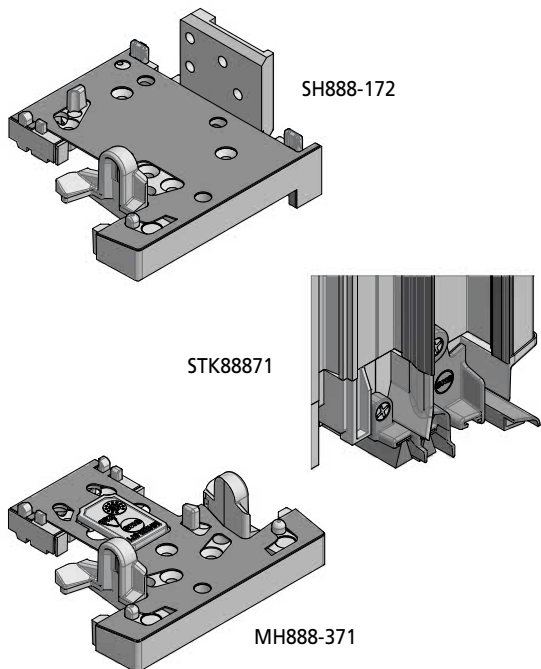
Threshold holder (SH...), Middle post holder (MH...), French door end caps (STK...), Endholder (EH...) in plastic, fitting to PROFINE (KÖMMERLING, KBE, TROCAL) 76mm grey



Article Nr	to Profile	Frame	Width	Pack / Pair
SH876-101g	76mm AD	76101	67mm	20
SH876-102g	76mm AD	76102	85mm	20
SH876-103g	76mm AD	76103	97mm	20
SH876-171g	76mm MD	76171	74mm	20
SH876-172g	76mm MD	76172	92mm	20
SH876-173g	76mm MD	76173	104mm	20
Article Nr	to Profile	Profile	Width	Pack/Pieces
MH876-301g	76mm AD	76301, 76302	84mm	20
MH876-303g	76mm AD	763013	110mm	20
MH876-371g	76mm MD	76371, 76372	98mm	20
Article Nr	to Profile	Frame / Profile		Pack / Pair
SA87601g/AD	76mm AD	universal		20
SA87671g/MD	76mm MD	universal		20
Article Nr	to Profile	Profile Nr	DIN	Pack/Pieces
STK87601g/left	76mm AD	76401, 76402	left	10
STK87601g/right	76mm AD	76401, 76402	right	10
STK87671g/left	76mm MD	764871, 764872	left	10
STK87671g/right	76mm MD	764871, 764872	right	10
Article Nr	to Profile	Frame		Pack / Pair
EH876-101g	76mm AD/MD	universal		50
Article Nr	to Profile	Frame	Comments	Pack / Pair
DTH876-101g	AD contour milling	universal	inc. seal	50

**PROFINE 88**

Threshold holder (SH...), Middle post holder (MH...), French door end caps (STK...), Endholder (EH...) in plastic, fitting to PROFINE 88mm MD grey



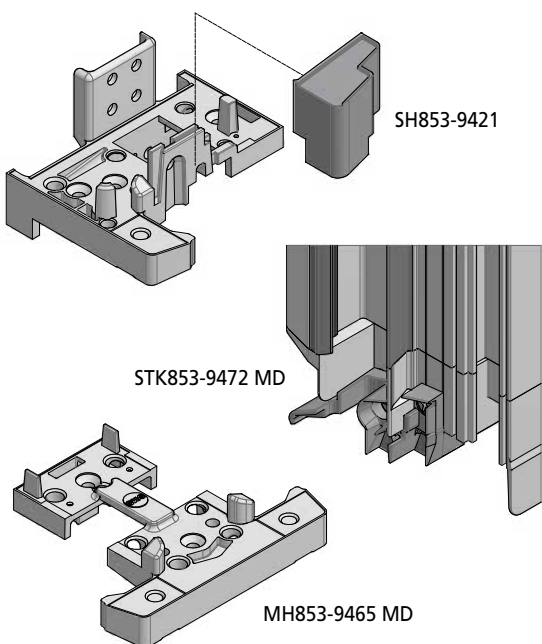
Article Nr	to Profile	Frame	Width	Pack / Pair
SH888-171g	88mm MD	88171	78mm	20
SH888-172g	88mm MD	88172	92mm	20
SH888-173g	88mm MD	88173	104mm	20

Article Nr	to Profile	Profile	Width	Pack/Pieces
MH888-371G	88mm MD	88371	98mm	20
MH888-373G	88mm MD	88373	124mm	20

Article Nr	to Profile	Profile Nr	DIN	Pack/Pieces
STK88871g/left	88mm MD	88472	left	10
STK88871g/right	88mm MD	88472	right	10

**SCHÜCO**

Threshold holder (SH...), Middle post holder (MH...), French door end caps (STK...), Endholder (EH...) in plastic, fitting to Schüco living 82 grey

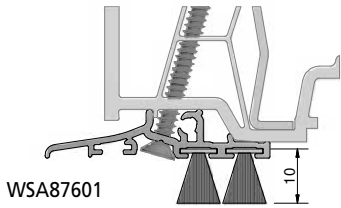


Article Nr	to Profile	Frame	Width	Pack / Pair
SH853-9421	Schüco Living 82 AD	9421	70mm	20
SH853-9422	Schüco Living 82 AD	9422	80mm	20
SH853-9423	Schüco Living 82 AD	9423	90mm	20
SH853-9411	Schüco Living 82 MD	9411	70mm	20
SH853-9412	Schüco Living 82 MD	9412	80mm	20
SH853-9413	Schüco Living 82 MD	9413	90mm	20

Article Nr	to Profile	Profile	Width	Pack/Pieces
MH853-9461	Schüco Living 82 AD	9461	92mm	20
MH853-9462	Schüco Living 82 AD	9462	112mm	20
MH853-9465	Schüco Living 82 MD	9465	92mm	20
MH853-9466	Schüco Living 82 MD	9466	112mm	20

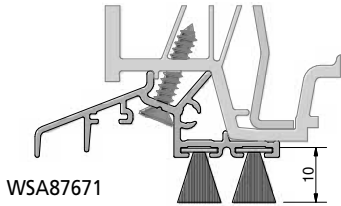
Article Nr	to Profile	Profile Nr	DIN	Pack/Pieces
STK853-9473g/left	Schüco Living 82 AD	9473	left	10
STK853-9473g/right	Schüco Living 82 AD	9473	right	10
STK853-9472g/left	Schüco Living 82 MD	9471, 9472	left	10
STK853-9472g/right	Schüco Living 82 MD	9471, 9472	right	10

## Threshold system „COMBI PLUS“



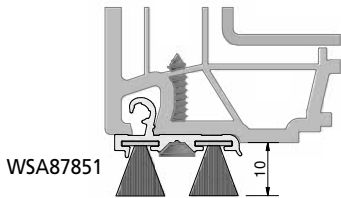
### Weatherside Profile, with double brush seals (BD...), 1950mm long fitting to KÖMMERLING 76AD in EV1

Article Nr	Brush seals (1100mm) WSA (1950mm)	Recess	Pack / Set
WSA87601/EV1/BD08/BD08	4 Brush seals BD08	8mm	25
WSA87601/EV1/BD10/BD10	4 Brush seals BD10	10mm	25
WSA87601/EV1/BD12/BD12	4 Brush seals BD12	12mm	25



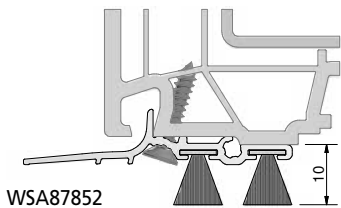
### Weatherside Profile, with double brush seals (BD...), 1950mm long fitting to KÖMMERLING 76MD in EV1

Article Nr	Brush seals (1100mm) WSA (1950mm)	Recess	Pack / Set
WSA87671/EV1/BD08/BD08	4 Brush seals BD08	8mm	25
WSA87671/EV1/BD10/BD10	4 Brush seals BD10	10mm	25
WSA87671/EV1/BD12/BD12	4 Brush seals BD12	12mm	25



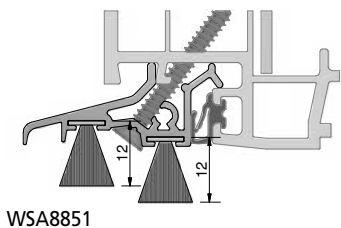
### Weatherside Profile, with double brush seals (BD...), 1950mm long fitting to ALUPLAST 7000 in EV1

Article Nr	Brush seals (1100mm) WSA (1950mm)	Recess	Pack / Set
WSA87851/EV1/BD08/BD08	4 Brush seals BD08	8mm	25
WSA87851/EV1/BD10/BD10	4 Brush seals BD10	10mm	25
WSA87851/EV1/BD12/BD12	4 Brush seals BD12	12mm	25



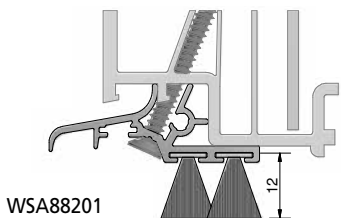
### Weatherside Profile, with double brush seals (BD...), 1950mm long fitting to ALUPLAST 7000 in EV1

Article Nr	Brush seals (1100mm) WSA (1950mm)	Recess	Pack / Set
WSA87852/EV1/BD08/BD08	4 Brush seals BD08	8mm	25
WSA87852/EV1/BD10/BD10	4 Brush seals BD10	10mm	25
WSA87852/EV1/BD12/BD12	4 Brush seals BD12	12mm	25



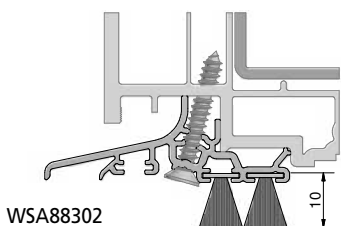
### Weatherside Profile, with double brush seals (BD...), 1950mm long fitting to ALUPLAST 8000 in EV1

Article Nr	Brush seals (1100mm) WSA (1950mm)	Recess	Pack / Set
WSA8851/EV1/BD08/BD08	4 Brush seals BD08	8mm	25
WSA8851/EV1/BD10/BD10	4 Brush seals BD10	10mm	25
WSA8851/EV1/BD12/BD12	4 Brush seals BD12	12mm	25



### Weatherside Profile, with double brush seals (BD...), 1950mm long fitting to BLUEEVOLUTION 82 in EV1

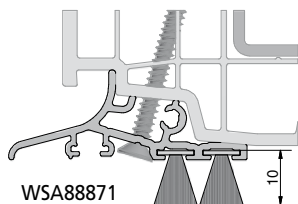
Article Nr	Brush seals (1100mm) WSA (1950mm)	Recess	Pack / Set
WSA88201/EV1/BD08/BD08	4 Brush seals BD08	8mm	25
WSA88201/EV1/BD10/BD10	4 Brush seals BD10	10mm	25
WSA88201/EV1/BD12/BD12	4 Brush seals BD12	12mm	25



### Weatherside Profile, with double brush seals (BD...), 1950mm long fitting to GEALAN 9000 in EV1

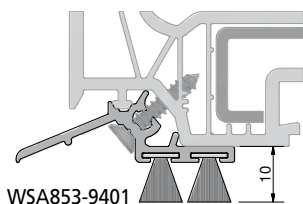
Article Nr	Brush seals (1100mm) WSA (1950mm)	Recess	Pack / Set
WSA88302/EV1/BD08/BD08	4 Brush seals BD08	8mm	25
WSA88302/EV1/BD10/BD10	4 Brush seals BD10	10mm	25
WSA88302/EV1/BD12/BD12	4 Brush seals BD12	12mm	25





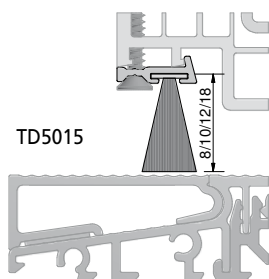
**Weatherside Profile, with double brush seals (BD...), 1950mm long fitting to Profine 88 in EV1**

Article Nr	Brush seals (1100mm) WSA (1950mm)	Recess	Pack / Set
WSA88871/EV1/BD08/BD08	4 Brush seals BD08	8mm	25
WSA88871/EV1/BD10/BD10	4 Brush seals BD10	10mm	25
WSA88871/EV1/BD12/BD12	4 Brush seals BD12	12mm	25



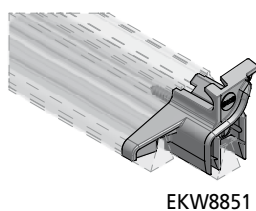
**Weatherside Profile, with double brush seals (BD...), 1950mm long fitting to Schüco Living 82 in EV1**

Article Nr	Brush seals (1100mm) WSA (1950mm)	Recess	Pack / Set
WSA853-9401/EV1/BD08/BD08	4 Brush seals BD08	8mm	25
WSA853-9401/EV1/BD10/BD10	4 Brush seals BD10	10mm	25
WSA853-9401/EV1/BD12/BD12	4 Brush seals BD12	12mm	25



**Outward opening door seal, with brush seal 1950mm long**

Article Nr	Brush seals (1100mm) piece	Recess	Pack / Set
TD5015/BD08	1 Brush seals BD08	8mm	25
TD5015/BD10	1 Brush seals BD10	10mm	25
TD5015/BD12	1 Brush seals BD12	12mm	25
TD5015/BD18	1 Brush seals BD18	18mm	25



**End cap pairs fitting to Weatherside Profile WSA7.../8...**

Article Nr	Colour	to WSA...	to Profile	Pack / Pair
EKW87601AD/g	grey	WSA87601	Profine 76AD	50
EKW87671MD/g	grey	WSA87671	Profine 76MD	50
EKW87851g	grey	WSA87851	Aluplast 7000 AD	50
EKW87852g	grey	WSA87852	Aluplast 7000 AD	50
EKW8851g	grey	WSA8851	Aluplast 8000 MD	50
EKW88201g	grey	WSA88201	BluEvolution 82	50
EKW88302g	grey	WSA88302	Gealan 9000	50
EKW88871g	grey	WSA88871	Profine 88 MD	50
EKW853-9402	grey	WSA853-9401	Schüco Living 82	50



optimal sealing in the forend

## COMBI PLAN – with stainless steel drainage channel / use as an outside door

The new GKG Threshold system, COMBI PLAN, through our existing “COMBI” and “COMBI PLUS” offers you the possibility of a zero threshold. To do this, supplementary components are necessary.

Our tested and thermally divided threshold systems “COMBI” and “COMBI PLUS” provide you with their extensive range of accessories, a rational and flexible solution, whether it is as a standard 20mm threshold or as a ZERO THRESHOLD it meets all requirements.

Regardless of whether it is a House door, a Balcony door with tilt and turn hardware or a French door, or if the doors are inward or outward opening. All these cases can be covered with a single threshold as 20mm or as a zero threshold.

The water drainage takes place outside the building seal with permanent protection against moisture in the masonry.

### Notes to Tests:

- Water tightness under heavy rain **Class 9A**  
acc. to DIN EN 1027\*
- Air permeability **Class 4**  
acc. to DIN EN 1026\*
- Resistance to wind load acc. to DIN EN 12211\*  
**Class C3**
- Evidence of burglar-resistant properties  
**RC 2 / RC 2 N\*\***

\*Corresponds to test report 40.2/16 from PIV  
(Prüfinstitut Schlosser und Beschläge Velbert)

\*\* Corresponds to test report 16-001542-PRO01 from IFT Rosenheim 28.04.2017.

### Various possibilities

Alternative drainage channels: BRINK “System Grundmeier”

The drainage channel „System Grundmeier” from Richard Brink GmbH & Co. KG can have the dimensions and the design individually adapted to meet the requirements and wishes of the customer.

- Drainage from other surfaces possible
- Various designs and materials are possible
- Inexpensive gutters made of galvanized steel available
- The design can also be continued at other parts of the building

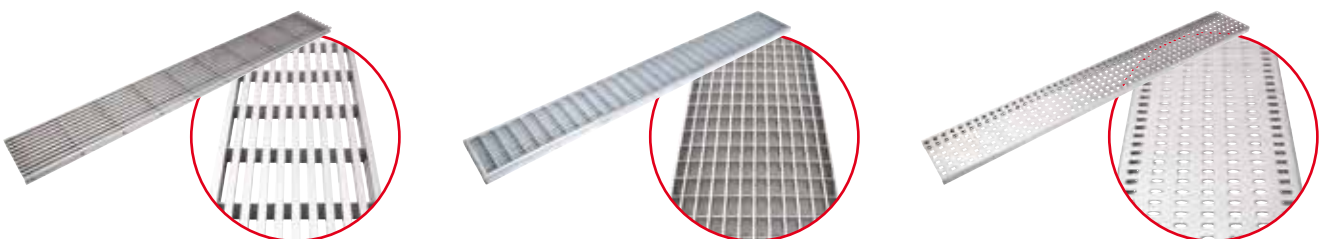
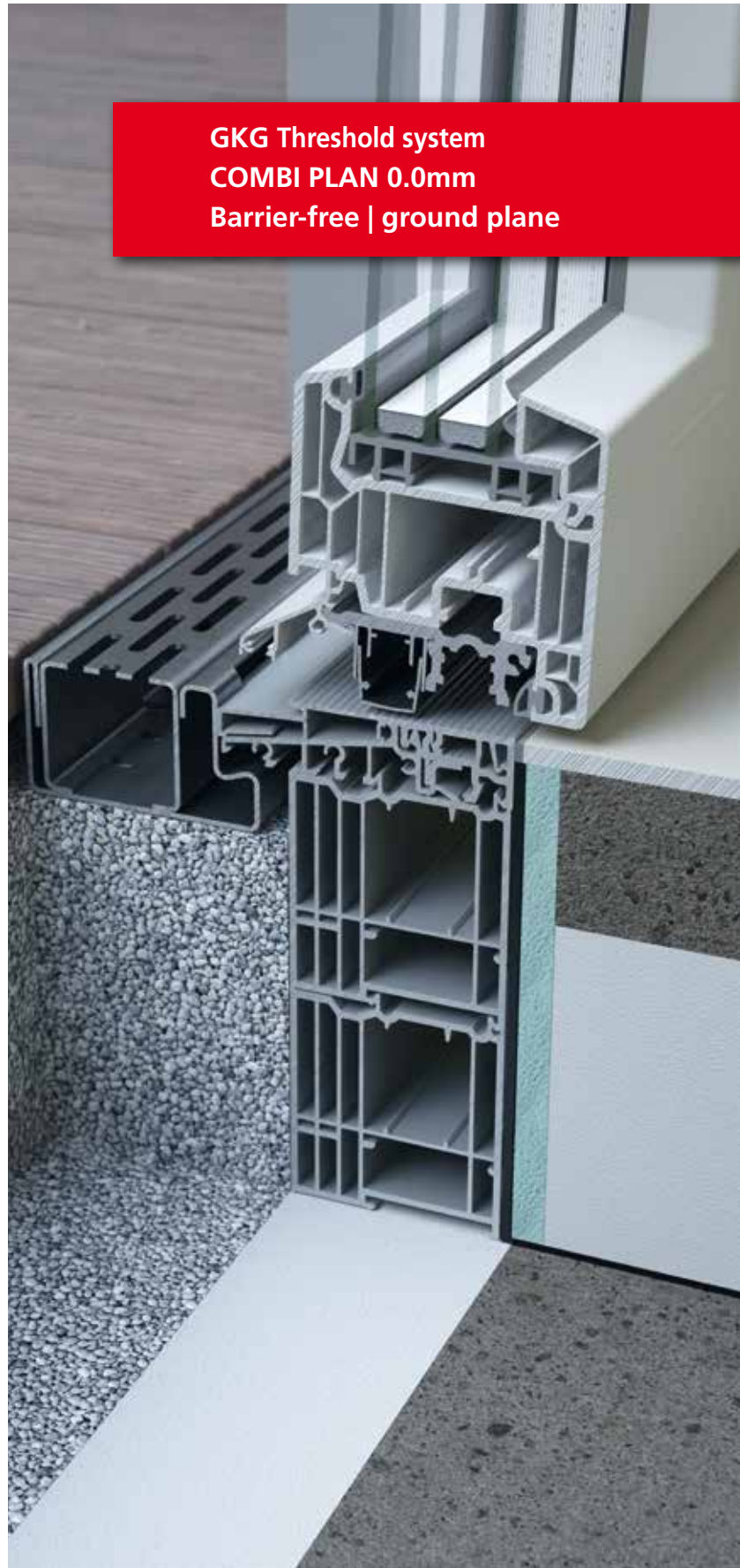


Image Rinnen: Richard Brink GmbH &amp; Co. KG

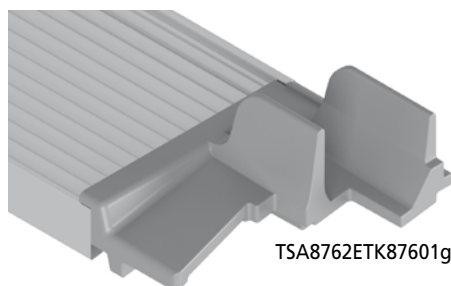
## Threshold system „COMBI PLAN“

- Floor-level access without sill stop.
- Versatile use for home, store, balcony and turn and tilt doors as well as French doors.
- Locks in the Threshold possible.
- Hardware can be fitted all the way around the door.
- Thermally insulated adapter Profile for drop down door seal and replaceable weather side Profile.
- No seal contact on the floor when the door is opened or closed.
- Easy moutage on existing GKG Threshold COMBI Plus.
- Drainage Profile fitted onto existing GKG Threshold.
- Drainage cap made from TPE for the drainage Profile.
- Drainage in optimized exterior drainage.

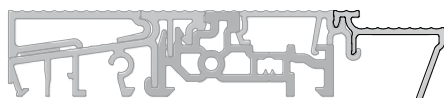




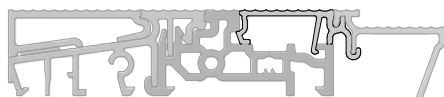
TSA8762



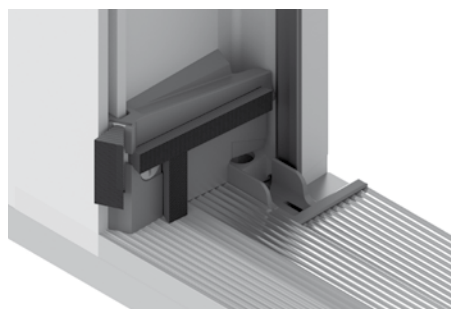
TSA8762ETK87601g



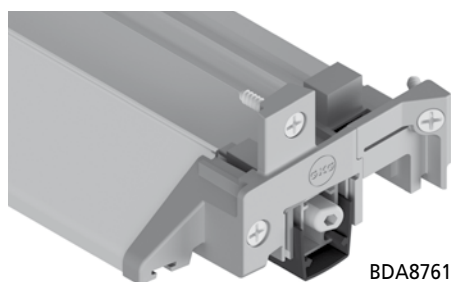
ELA01-118/195



FL5022-CPA118/195



RBT01g



BDA8761

**Aluminum drainage Profile ( TSA...) for use with floor-level Thresholds, self adhesive,1950mm long**

Article Nr	to Threshold	to Profile system	Colour	Pack/Pieces
TSA5822	TS58212-FL	Veka 82	EV1	10
TSA8762	TS87610-FL	Profine 76	EV1	10
TSA8822	TS88210-FL	BluEvolution 82	EV1	10
TSA8832	TS88310-FL	Gealan 9000	EV1	10
TSA8852	TS88510-FL	Aluplast 7000	EV1	10

**End cap ( EKT...) fitting to TSA made from plastic**

Article Nr	to drainage channel	to Profile system	Colour	Pack / Pair
EKT58201g	TSA5822	Veka 82	grey	10
EKT87601g	TSA8762	Profine 76	grey	10
EKT88201g	TSA8822	BluEvolution 82	grey	10
EKT88301g	TSA8832	Gealan 9000	grey	10
EKT88501g	TSA8852	Aluplast 7000	grey	10

**Drainage Profile (ELA) for outward opening doors**

Article Nr	Length	to Profile system	Colour	Pack/Pieces
ELA01-195 / EV1	1950mm	universal	EV1	10

**Aluminum inlay for outward opening doors fitting to drainage Profile ELA01**

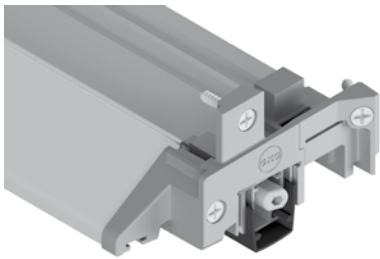
Article Nr	Length	to Profile	Colour	Pack/Pieces
FL5022-CPA195 / EV1	1950mm	ELA01...	EV1	10

**Recess seal including 3 brush seals made from plastic**

Article Nr	to Profile system	Colour	Pack / Pair
RBT01g	universal	grey	10

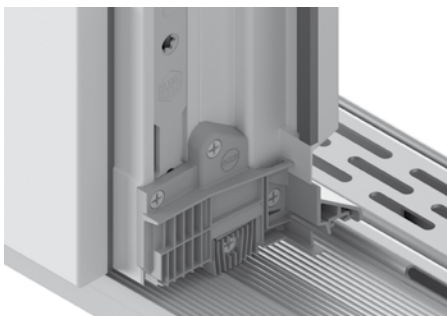
**Adapter Profile made from PVC with weather side Profile for drop down seals,1950mm in length**

Article Nr	to Profile system	Colour	Pack/Pieces
BDA5821	Veka 82	EV1/ PVC grey	10
BDA8761	Profine 76	EV1/ PVC grey	10
BDA87851	Aluplast 7000	EV1/ PVC grey	10
BDA8821	BluEvolution 82, Gealan 9000	EV1/ PVC grey	10



**End cap (2 part) fitting to the Adapter Profile made from plastic**

Article Nr	Fitting to Adapter Profile	to Profile system	Colour	Pack / Pair
EK-BDA5821g	BDA5821	Veka 82	grey	10
EK-BDA8761g	BDA8761	Profine 76	grey	10
EK-BDA8781g	BDA87851	Aluplast 7000	grey	10
EK-BDA8821g	BDA87851	BluEvolution 82	grey	10
EK-BDA8831g	BDA8821	Gealan 9000	grey	10



STK-BDA8761

**French door end caps fitting Adapter Profile**

Article Nr	Fitting to Adapter Profile	to Profile system	Colour	Pack / Pair
STK-BDA5821 L/R	BDA5821	Veka 82	grey	10
STK-BDA8761 L/R	BDA8761	Profine 76	grey	10
STK-BDA87851 L/R	BDA87851	Aluplast 7000	grey	10
STK-BDA8821 L/R	BDA8821	BluEvolution 82	grey	10
STK-BDA8831 L/R	BDA8821	Gealan 9000	grey	10

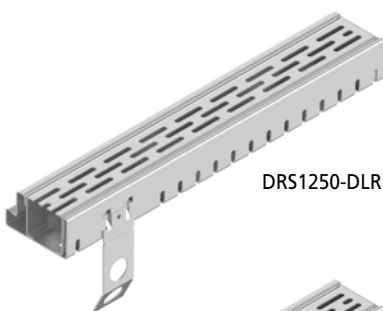
*In Vorbereitung.*



BOD50....

**Drop down seal, can be shortened by up to 125mm**

Article Nr	Fitting to Profile	Length	DIN	Pack/Pieces
BOD50084	BDA8761	835mm	right/left	10
BOD50096	BDA8761	960mm	right/left	10
BOD50109	BDA8761	1085mm	right/left	10
BOD50121	BDA8761	1210mm	right/left	10
BOD50134	BDA8761	1335mm	right/left	10



DRS1250-DLR

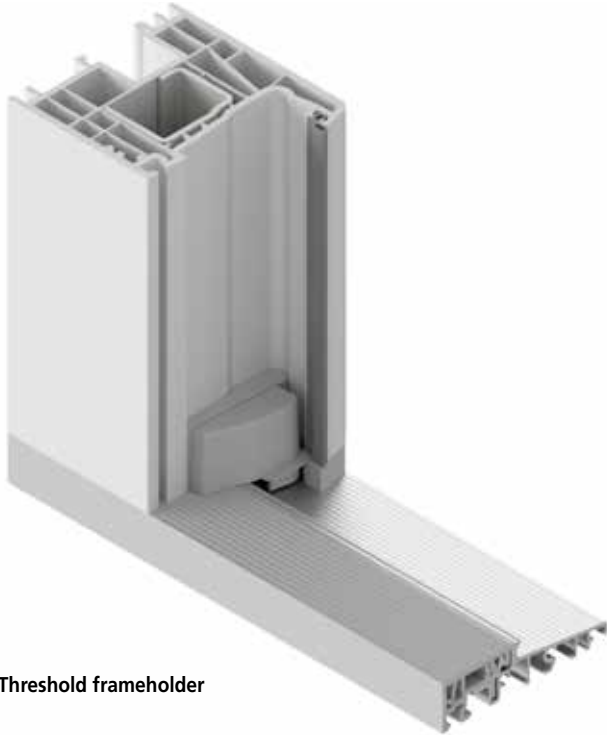


DRS1250

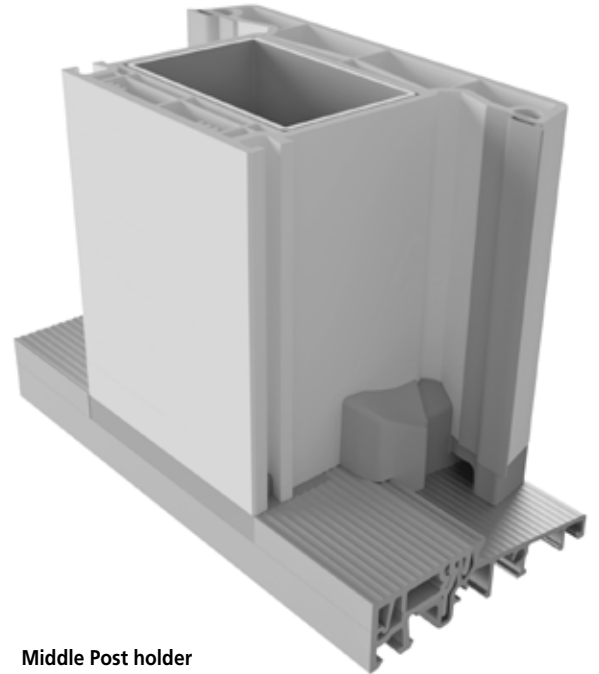
**Drainage channel made from Stainless Steel, perforated with air vents DN50**

Article Nr	Length	Available	Colour	Pack / Set
DRS1250	1250mm	with air outlet DN50	EdelSteel V2A	1
DRS1250-DLR*	1250mm*	with Drain	EdelSteel V2A	1
DRS1970	1970mm	with air outlet DN50	EdelSteel V2A	1
DRS 1970-DLR*	1970mm*	with Drain	EdelSteel V2A	1

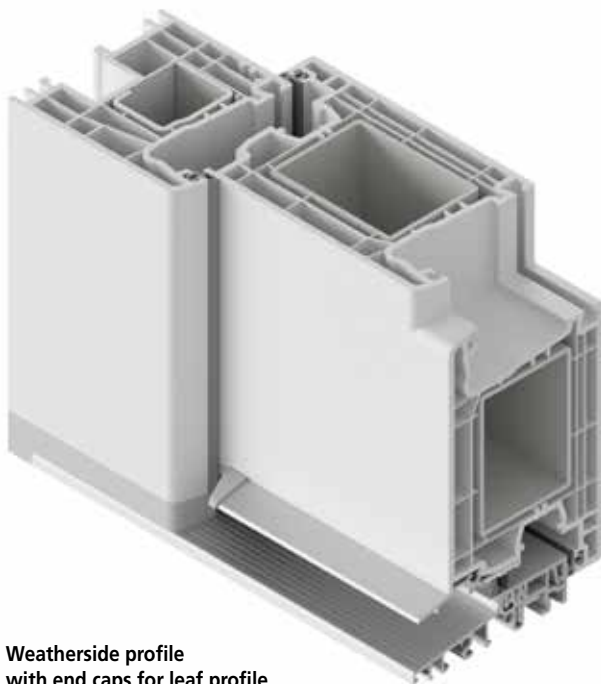
\* upon request



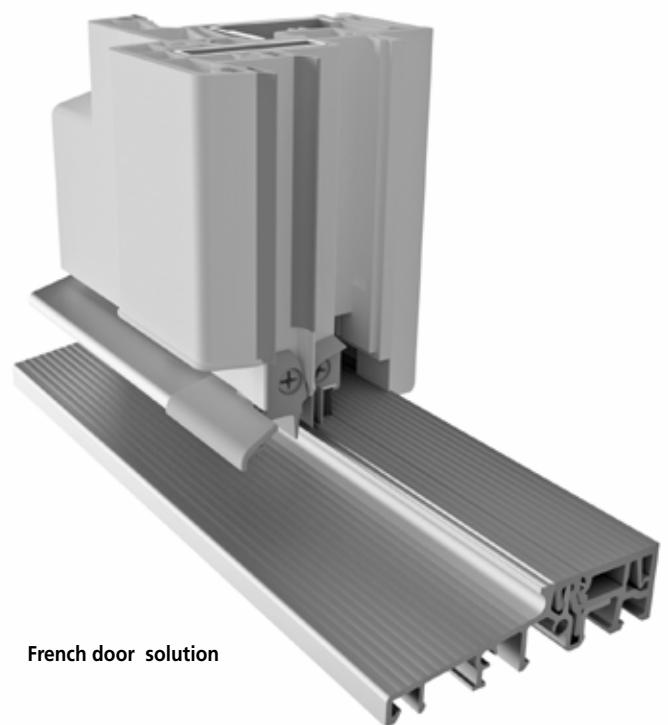
Threshold frameholder



Middle Post holder



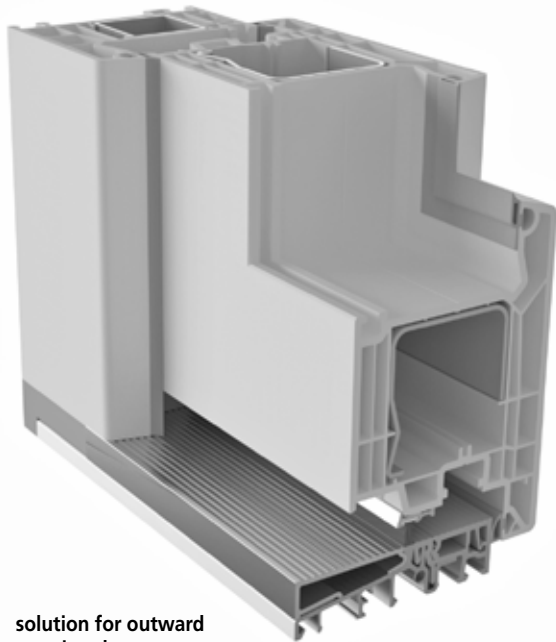
Weatherside profile  
with end caps for leaf profile



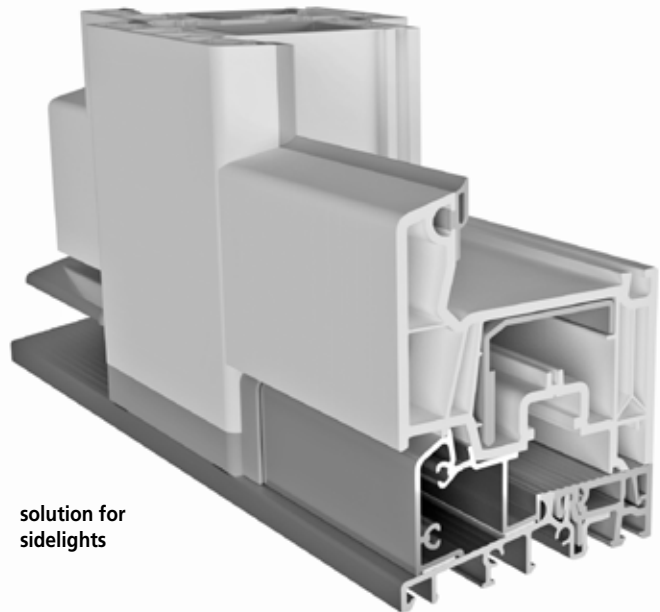
French door solution

**Threshold system Combi**

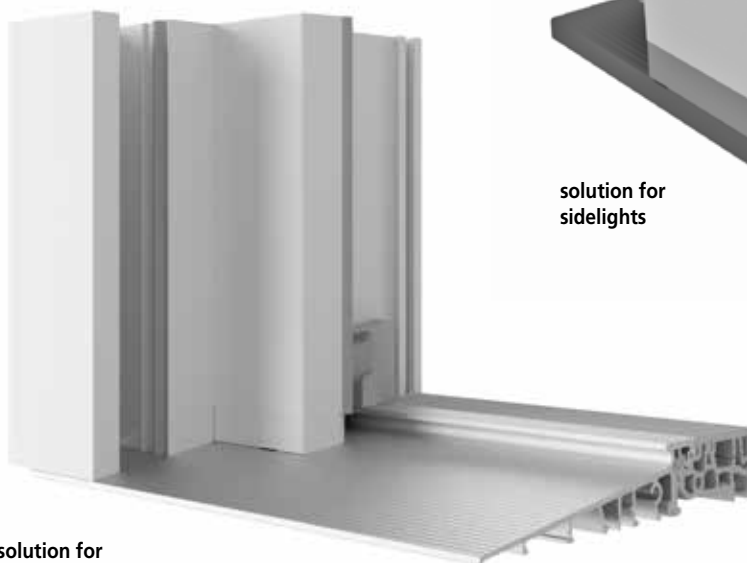
- Proven threshold system without thermal bridge
- Flexible solutions for house, balcony and French doors
- Threshold with 20mm height - Disabled access under precedent conditions after DIN 18024 and DIN 18025 1/2 for disabled access
- Excellent water tightness up to 900Pa / level 9A depending on window system
- Improved product quality due to higher quality and proven products
- Simple and efficient montage
- Proof of the qualities with test reports through official testing bodies for the ease of getting your CE sign



solution for outward opening doors

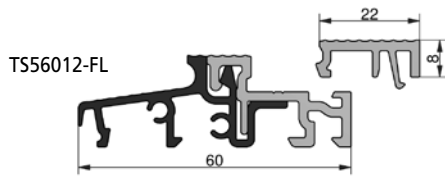


solution for sidelights



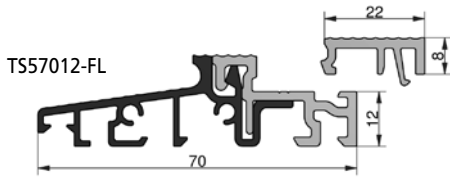
solution for shutter guidance

## System "COMBI" Aluminium-PVC Threshold, rippled, with protective foil



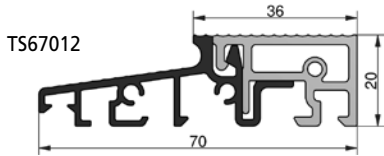
### 60mm Depth - without Thermal bridge, with strike plate strip, (Size: 60x20x4500mm)

Article Nr	Fitting to System	Remarks	Pack / Meter
TS56012-FL	SALAMANDER 2D fitting threshold packer: TSUK4135, TSUK4180, TSUK41130, TSUK5049 (all versions)	Inlay loose	36

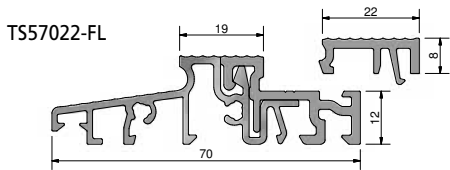


### 70mm Depth - without Thermal bridge, with strike plate strip, (Size: 70x20x4500mm)

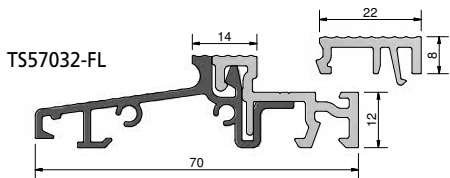
Article Nr	Fitting to System	Remarks	Pack / Meter
TS57012-FL	ALUPLAST, GEALAN, WOOD, INOUTIC, KBE, KÖMMERLING, REHAU, SCHÜCO (only with Adapter), TROCAL, VEKA fitting threshold packer: TSUK4135, TSUK4180, TSUK41130, TSUK5049 (all versions), TSUK6230/RC, TSUK6265/RC, KÖMMERLING 0302	Inlay loose	36



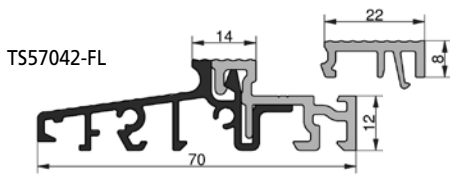
TS67012	ALUPLAST, GEALAN, WOOD, INOUTIC, KBE, KÖMMERLING, REHAU, SCHÜCO (only with Adapter), TROCAL, VEKA fitting threshold packer: TSUK4135, TSUK4180, TSUK41130, TSUK5049 (all versions), TSUK6230/RC, TSUK6265/RC, KÖMMERLING 0302	without strike plate strip, upon request	36
---------	---	--	----



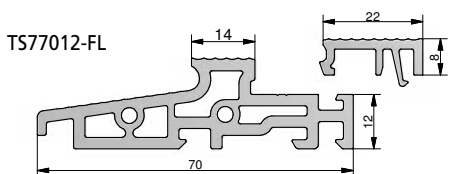
TS57022-FL	SCHÜCO CT70 fitting threshold packer: TSUK4135, TSUK4180, TSUK41130, TSUK5049 (all versions), TSUK6230/RC, TSUK6265/RC, SCHÜCO 8477, 8478, 8479	Inlay loose upon request	36
------------	---	--------------------------	----



TS57032-FL	Wood, VEKA 70mm AD fitting threshold packer: VEKA 114011, 114012, 114017, 114024	Inlay loose upon request	36
------------	--	--------------------------	----



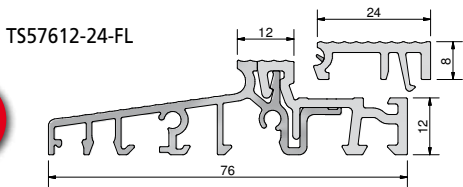
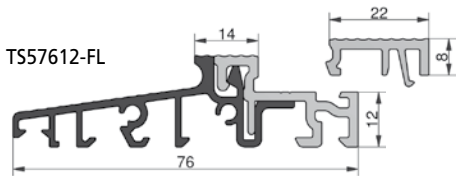
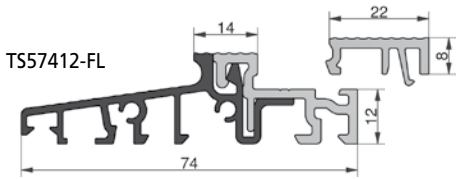
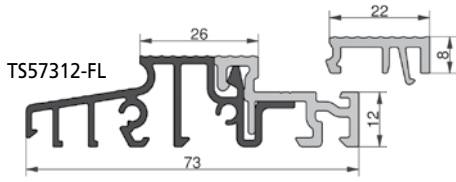
TS57042-FL	ALUPLAST, Wood, INOUTIC, KBE, KÖMMERLING, REHAU, SCHÜCO (only with Adapter), TROCAL, VEKA fitting threshold packer: TSUK4135, TSUK4180, TSUK41130, TSUK5049 (all versions), TSUK6230/RC, TSUK6265/RC, KÖMMERLING 0302	Inlay loose, upon request	36
------------	---	---------------------------	----



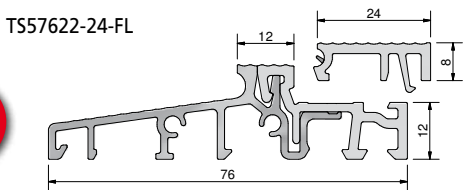
TS77012-FL	ALUPLAST, GEALAN, WOOD, INOUTIC, KBE, KÖMMERLING, REHAU, SCHÜCO (only with Adapter), TROCAL, VEKA fitting threshold packer: TSUK4135, TSUK4180, TSUK41130, TSUK5049 (all versions), TSUK6230/RC, TSUK6265/RC,	Threshold (PVC), Inlay loose, upon request	36
------------	---	--	----



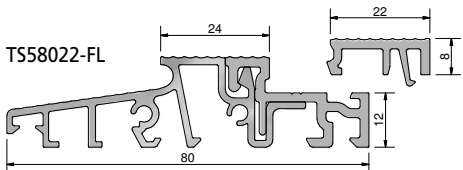
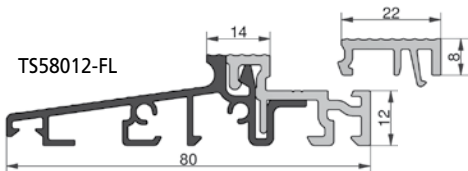
# System "COMBI" Aluminium-PVC Threshold, rippled, with protective foil



**NEW**



**NEW**



## 73mm Depth - without Thermal bridge, with strike plate strip, (Size: 73x20x4500mm)

Article Nr	Fitting to System	Remarks	Pack / Meter
TS57312-FL	BRÜGMANN fitting threshold packer: TSUK4135, TSUK4180, TSUK41130, TSUK5049 (all versions), TSUK6230/RC, TSUK6265/RC	Inlay loose, upon request	36

## 74mm Depth - without Thermal bridge, with strike plate strip, (Size: 74x20x4500mm)

Article Nr	Fitting to System	Remarks	Pack / Meter
TS57412-FL	GEALAN, BRÜGMANN (only with Adapter), fitting threshold packer: TSUK4135, TSUK4180, TSUK41130, TSUK5049 (all versions), TSUK6230/RC, TSUK6265/RC	Inlay loose	36

## 76mm Depth - without Thermal bridge, with strike plate strip, (Size: 76x20x4500mm)

Article Nr	Fitting to System	Remarks	Pack / Meter
TS57612-FL	SALAMANDER fitting threshold packer: TSUK4135, TSUK4180, TSUK41130, TSUK5049 (all versions), TSUK6230/RC, TSUK6265/RC, SALAMANDER 406176, 416155, 416165, MENKE 810	Inlay loose	36

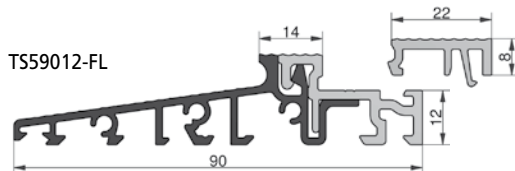
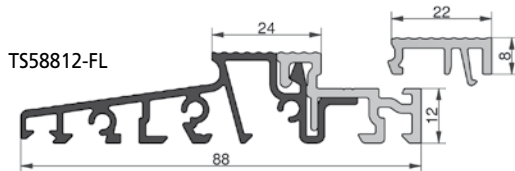
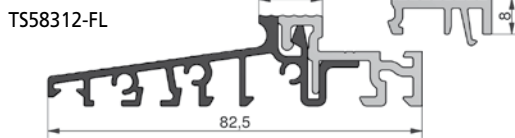
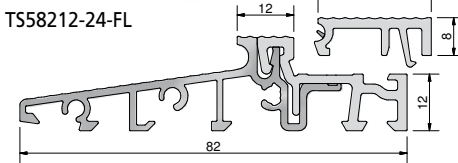
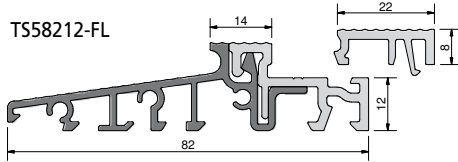
## 76mm Depth - without Thermal bridge, with strike plate strip und 24mm Inlay (Size: 76x20x4500mm)

Article Nr	Fitting to System	Remarks	Pack / Meter
TS57612-24-FL	SALAMANDER fitting threshold packer: TSUK4135, TSUK4180, TSUK41130, TSUK5049 (all versions), TSUK6230/RC, TSUK6265/RC, SALAMANDER 406176, 416155, 416165, MENKE 810	Inlay loose 24mm	36
TS57622-24-FL	VEKA 76mm fitting threshold packer: TSUK4135, TSUK4180, TSUK41130, TSUK5049 (all versions), TSUK6230/RC, TSUK6265/RC, Veka 114200-203, 114205, 114052-054	Inlay loose 24mm	36

## 80mm Depth - without Thermal bridge, with strike plate strip, (Size: 80x20x4500mm)

Article Nr	Fitting to System	Remarks	Pack / Meter
TS58012-FL	Fitting threshold packer: TSUK4135, TSUK4180, TSUK41130, TSUK5049 (all versions), TSUK6230/RC, TSUK6265/RC	Inlay loose, upon request	36
TS58022-FL	WOOD Fitting threshold packer: TSUK4135, TSUK4180, TSUK41130, TSUK5049 (all versions), TSUK6230/RC, TSUK6265/RC, MENKE810	Inlay loose, upon request	36

## System "COMBI" Aluminium-PVC Threshold, rippled, with protective foil



### 82mm Depth - without Thermal bridge, with strike plate strip, (Size: 82x20x4500mm)

Article Nr	Fitting to System	Remarks	Pack / Meter
TS58212-FL	VEKA Softline 82 Fitting threshold packer: TSUK4135, TSUK4180, TSUK41130, TSUK5049 (all versions), TSUK6230/RC, TSUK6265/RC, VEKA 114200, 114201, 114202, 114203, 114205	Inlay loose	36
TS58212/ Graphit-FL	identical with TS58212-FL	Graphite metallic / PVC black upon request, Inlay loose	36

### 82mm Depth - without Thermal bridge, with strike plate strip und 24mm Inlay, (Size: 82x20x4500mm)

Article Nr	Fitting to System	Remarks	Pack / Meter
TS58212-24-FL*	VEKA Softline 82 Fitting threshold packer: TSUK4135, TSUK4180, TSUK41130, TSUK5049 (all versions), TSUK6230/RC, TSUK6265/RC, Veka 114200-203, 114205	Inlay 24mm lose	36

\* upon request

### 82,5mm Depth - without Thermal bridge, with strike plate strip, (Size: 82,5x20x4500mm)

Article Nr	Fitting to System	Remarks	Pack / Meter
TS58312-FL	GEALAN S8000 IQ plus Fitting threshold packer: TSUK41130, TSUK5049 (all versions), TSUK6230/RC, TSUK6265/ RC, GEALAN7290	Inlay loose	36

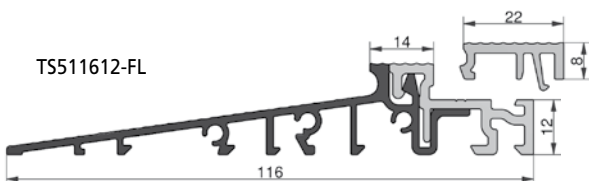
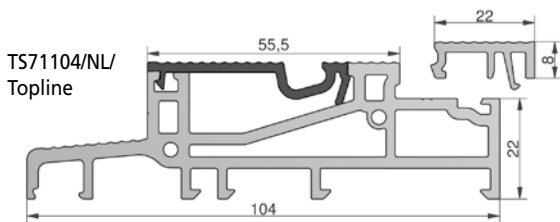
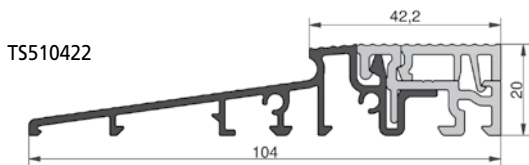
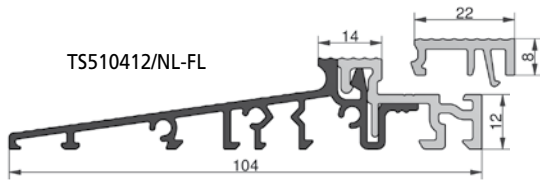
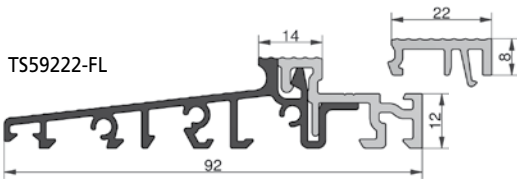
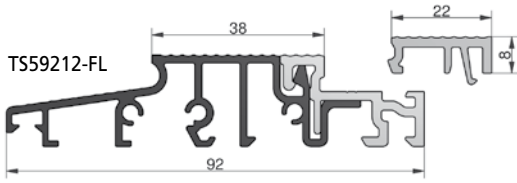
### 88mm Depth - without Thermal bridge, with strike plate strip, (Size: 88x20x4500mm)

Article Nr	Fitting to System	Remarks	Pack / Meter
TS58812-FL	KÖMMERLING 88plus Fitting threshold packer: TSUK4135, TSUK4180, TSUK41130, TSUK5049 (all versions), TSUK6230/ RC, TSUK6265/RC, KÖMMERLING 0204, 0207, 0210, 0301, MENKE 810	Inlay loose, upon request	27

### 90mm Depth - without Thermal bridge, with strike plate strip, (Size: 90x20x4500mm)

Article Nr	Fitting to System	Remarks	Pack / Meter
TS59012-FL	KBE, VEKA Alphaline Fitting threshold packer: TSUK4135, TSUK4180, TSUK41130, TSUK5049 (all versions), TSUK6230/RC, TSUK6265/RC, VEKA 114028, 114201, 114202, 114203, 114205	Inlay loose, upon request	27

## System "COMBI" Aluminium-PVC Threshold, rippled, with protective foil



### 92mm Depth - without Thermal bridge, with strike plate strip, (Size: 92x20x4500mm)

Article Nr	Fitting to System	Remarks	Pack / Meter
TS59212-FL	Wood Fitting threshold packer: TSUK4135, TSUK4180, TSUK41130, TSUK5049 (all versions), TSUK6230/RC, TSUK6265/RC, MENKE 810	Inlay loose, upon request	27
TS59222-FL	BRÜGMANN bluEvolution, SALAMANDER bluEvolution Fitting threshold packer: TSUK4135, TSUK4180, TSUK41130, TSUK5049 (all versions), TSUK6230/RC, TSUK6265/RC	Inlay loose	27

### 104mm Depth - without Thermal bridge, with strike plate strip, (Size: 104x20x4500mm)

Article Nr	Fitting to System	Remarks	Pack / Meter
TS510412/NL-FL	VEKA NL Fitting threshold packer: TSUK4135, TSUK4180, TSUK41130, TSUK5049 (all versions), TSUK6230/RC, TSUK6265/RC, VEKA 114028, 114201, 114202, 114203, 114205	Inlay loose, upon request	27
TS510412/NL/Graphit-FL	identical with TS510412-FL	Graphite metallic / PVC black upon request, Inlay loose	27

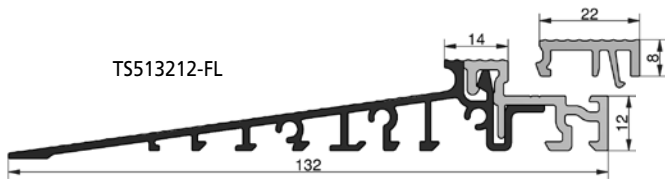
### 104mm Depth - without Thermal bridge, with strike plate strip, (Size: 104x20x4500mm)

Article Nr	Fitting to System	Remarks	Pack / Meter
TS510422-FL	Wood (only contour milling) Fitting threshold packer: TSUK4135, TSUK4180, TSUK41130, TSUK5049 (all versions), TSUK6230/RC, TSUK6265/RC	Inlay loose	27
TS71104/NL/Topline-FL	VEKA Topline NL Fitting threshold packer: TSUK4135, TSUK4180, TSUK41130, TSUK5049 (all versions), TSUK6230/RC, TSUK6265/RC	Inlay loose	27
TS71104/NL/Graphit-FL	identical with TS71104/NL-FL	Graphite metallic / PVC black upon request, Inlay loose	27

### 116mm Depth - without Thermal bridge, with strike plate strip, (Size: 116x20x4500mm)

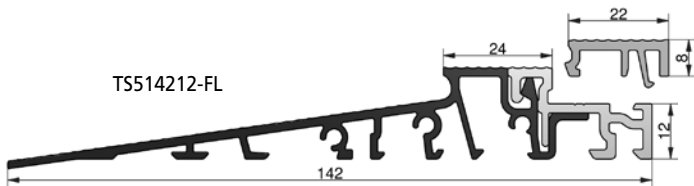
Article Nr	Fitting to System	Remarks	Pack / Meter
TS511612-FL	ALUPLAST, GEALAN, KBE, KÖMMERLING, REHAU, SALAMANDER, TROCAL, VEKA Fitting threshold packer: TSUK4135, TSUK4180, TSUK41130, TSUK5049 (all versions), TSUK6230/RC, TSUK6265/RC	Inlay loose	27

## System "COMBI" Aluminium-PVC Threshold, rippled, with protective foil



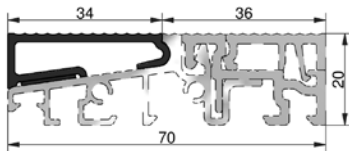
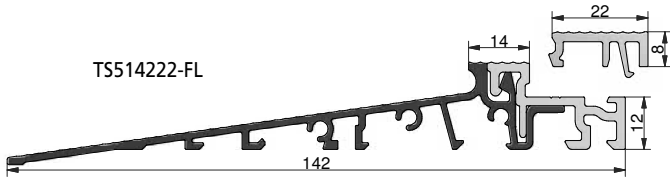
### 132mm Depth - without Thermal bridge, with strike plate strip, (Size: 132x20x4500mm)

Article Nr	Fitting to System	Remarks	Pack / Meter
TS513212-FL	VEKA Alphaline Fitting threshold packer: TSUK4135, TSUK4180, TSUK41130, TSUK5049 (all versions), TSUK6230/RC, TSUK6265/RC	Inlay loose	27



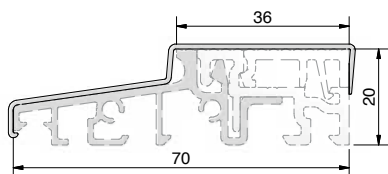
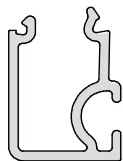
### 142mm Depth - without Thermal bridge, with strike plate strip, (Size: 142x20x4500mm)

Article Nr	Fitting to System	Remarks	Pack / Meter
TS514212-FL	KÖMMERLING 88plus Fitting threshold packer: TSUK4135, TSUK4180, TSUK41130, TSUK5049 (all versions), TSUK6230/RC, TSUK6265/RC, KÖMMERLING 0204, 0207, 0210, 0301, MENKE 810	Inlay loose	27
TS514222-FL	Diverse Fitting threshold packer: TSUK4135, TSUK4180, TSUK41130, TSUK5049 (all versions), TSUK6230/RC, TSUK6265/RC	Inlay loose	27



### Aluminium Adapter Profile to outward opening

Article Nr	Fitting to Threshold	Colour	Pack / Meter
TSA5701/SK/EV1	TS57012-FL, TS57032-FL, TS57042-FL	EV1	50
TSA5731/SK/EV1	TS57312-FL	EV1	50
TSA5761/SK/EV1	TS57612-FL, TS57612-24-FL, TS57622-24-FL	EV1	50
TSA5801/SK/EV1	TS58012-FL	EV1	50
TSA5821/SK/EV1	TS58212-FL, TS58212-24-FL	EV1	50
TSA5513	TS510412/NL-FL	EV1	45

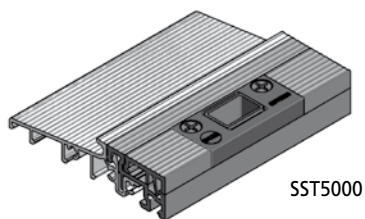


**Aluminium Adapter to outward opening VEKA NL**

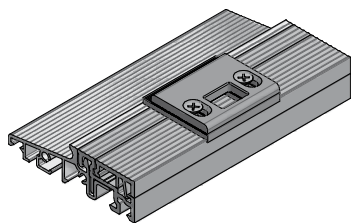
Article Nr	Fitting to Threshold	Colour	Pack / Meter
TSAR5104/NL	TS510412/NL(FL)	EV1	50

**Protective profile, 980mm long**

Article Nr	Fitting to Threshold	Remarks	Pack/Pieces
TSAD5170	TS57012(FL), TS67012, TS57032(FL), TS57042(FL)		30
TSAD5180	TS57312(FL), TS57412-FL, TS57612(FL), TS58012(FL), TS58022(FL)		30
TSAD5190	TS58812(FL), TS59012(FL), TS87610-FL, TS88210-FL, TS88510-FL		30
TSAD5192	TS58012(FL), TS58212(FL), TS58612, TS59012, TS59222		30
TSAD5132	TS513212	upon request	30



SST5000

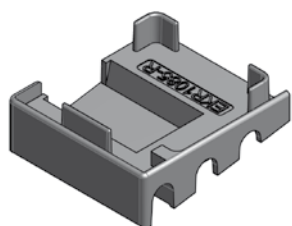


**GKG shootbolt keeps (sst..) 2 piece adjustable for french doors COMBI + COMBI PLUS left and right**

Article Nr	Colour	Comments	Inlay	Pack / Set
SST5000/si.	silver	for bolts of to Ø10mm	22mm	20
SST5012/si.	silver	for bolts of to Ø12mm	22mm	20
SST502400/si.	silver	for bolts of to Ø10mm	24mm	20
SST502412/si.	silver	for bolts of to Ø12mm	24mm	20

**2 piece adjustable bolt keeps, for french doors**

Article Nr	Colour	Pack / Set
SST170/Combi	silver	20



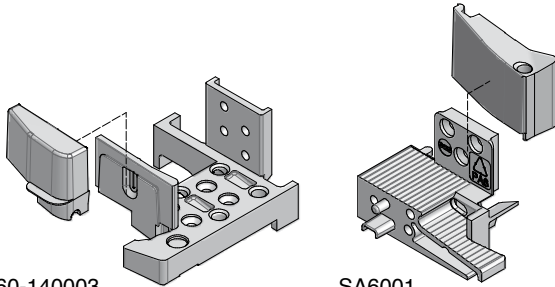
**End caps for shutter guidance**

Article Nr	Fitting to System	app RAL	Colour	Pack / Pair
EKR1085/white	KÖMMERLING	9016	white	100
EKR1085/brown	KÖMMERLING	8022	brown	100

## System „COMBI“: Threshold frame, middle holders, french door end caps and end caps

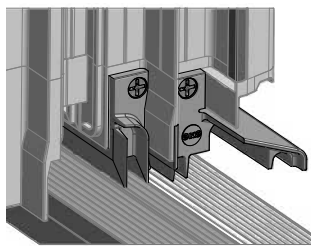
### ALUPLAST

Threshold frame holder (SH...) middle post (MH...), frenchdoor end caps (STK...), threshold adapter (SA...) from plastic specific to ALUPLAST in grey



SH60-140003

SA6001



STK74-229

Article Nr	to Profile	Frame	Width	Pack / Pair
SH60-140002g	4000	140002	70mm	20
SH60-140003g	4000	140003	80mm	20

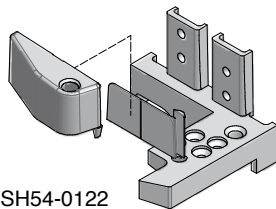
Article Nr	to Profile	Profile	Width	Pack/Pieces
MH60-140041g	4000	140041	84mm	20
MH60-140045g	4000	140045	104mm	20

Article Nr	to Profile	Profile	DIN	Pack/Pieces
STK60-140066g/left	4000	140066	left	10
STK60-140066g/right	4000	140066	right	10
STK74-229g/left	5000	229107, 229063	left	10
STK74-229g/right	5000	229107, 229063	right	10

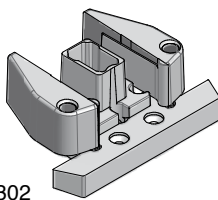
Article Nr	to Profile	Profile / Frame	Pack / Pair
SA6001/g	4000	universal	20
SA7410/g	5000	universal	20

### BRÜGMANN

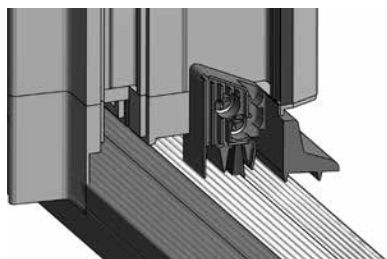
Threshold frame holder (SH...) middle post (MH...), frenchdoor end caps (STK...), threshold adapter (SA...) from plastic specific to BRÜGMANN in grey



SH54-0122



MH54-0302



STK54-3510

Article Nr	to Profile	Frame	Width	Pack / Pair
SH54-0104g	AD73	HP104	90mm	20
SH54-0122g	AD73	HP122	68mm	20
SH54-0123g	AD73	HP123	78mm	20
SH54-0203g	MD73	HP203	90mm	20
SH54-0222g	MD73	HP222	78mm	20
SH66-170420g	bluEvolution 92	170420	83mm	20
SH66-170430g	bluEvolution 92	170430	103mm	20

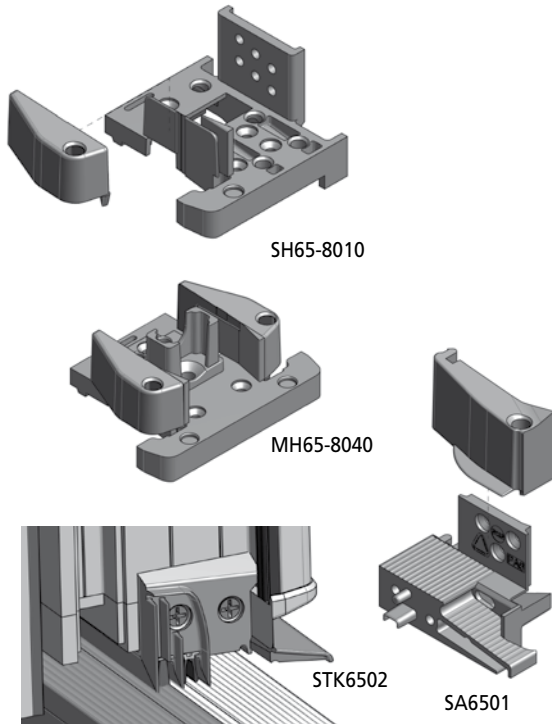
Article Nr	to Profile	Profile	Width	Pack/Pieces
MH54-0302g	AD73	HP302, HP301	90mm	20
MH54-0303g	AD73	HP303	102mm	20
MH54-0402g	MD73	HP401, HP402, HP412	102mm	20
MH66-172420g	bluEvolution 92	172420	116mm	20

Article Nr	to Profile	Profile	DIN	Pack/Pieces
STK54-3510g/left	AD73	3500, 3510	left	10
STK54-3510g/right	AD73	3500, 3510	right	10
STK54-0461g/left	MD73	0461	left	10
STK54-0461g/right	MD73	0461	right	10
STK6601g/left	bluEvolution 92	176030	left	10
STK6601g/right	bluEvolution 92	176030	right	10

Article Nr	to Profile	Remarks	Pack / Pair
SA5401/g	AD73	only with TS57412	20

## System „COMBI“: Threshold frame, middle holders, french door end caps and end caps

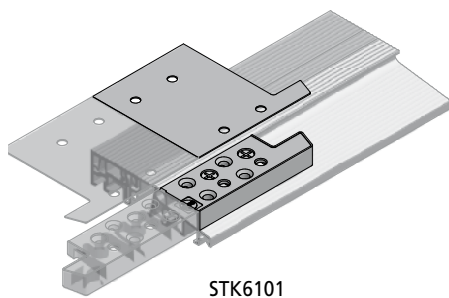
### GEALAN



Threshold frame holder (SH...) middle post (MH...), frenchdoor end caps (STK...), threshold adapter (SA...) from plastic specific to GEALAN in grey

Article Nr	to Profile	Frame	Width	Pack / Pair
SH65-8003g	S 8000 IQ	8003	66mm	20
SH65-8010g	S 8000 IQ	8010	74mm	20
SH65-8011g	S 8000 IQ	8011, 8012	81mm	20
SH65-5002g	S 8000 IQ plus	5002	81mm	20
SH65-5003g	S 8000 IQ plus	5003	66mm	20
Article Nr	to Profile	Profile	Width	Pack/Pieces
MH65-8037g	S 8000 IQ	8037	82mm	20
MH65-8040g	S 8000 IQ	8040	94mm	20
MH65-8043g	S 8000 IQ	8043	115mm	20
MH65-5005g	S 8000 IQ plus	5005	94mm	20
Article Nr	to Profile	Profile	DIN	Pack/Pieces
STK6502g/left	S 8000 IQ	8304, 8302	left	10
STK6502g/right	S 8000 IQ	8304, 8302	right	10
STK6522/left	S 7000 MD	7080, 7302	left	10
STK6522/right	S 7000 MD	7080, 7302	right	10
Article Nr	to Profile	Profile / Frame		Pack / Pair
SA6501/g	S 8000 IQ	universal		20
SA6502/g	S 7000 MD	universal		20

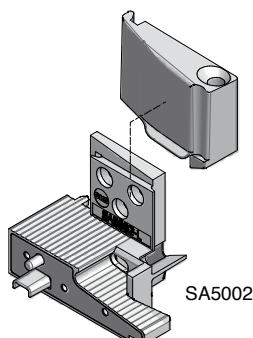
### HOLZHAUSTÜREN



Threshold frame holder (SH...), frenchdoor end caps (STK...), from plastic specific to Wooden house doors in grey

Article Nr	Frame depth	to threshold	Seal	Pack / Pair
SH61-160g	63mm	70mm without TS57022	63mm	20
SH61-180g	73mm	TS58022	73mm	20
SH61-192g	83mm	TS59212	87mm	20
Article Nr	Frame depth	sizes	contour	Pack / Pair
SH61-2901g	66mm	159,7x29mm	slope 20°	20
SH61-2902g	66mm	159,7x29mm	straight	20
SH61-4101g	78mm	159,7x41mm	slope 20°	20
SH61-4102g	78mm	159,7x41mm	straight	20
SH61-5301g	90mm	159,7x53mm	slope 20°	20
Article Nr	to WSA	to Profile	DIN	Pack/Pieces
STK6101g/left	WSA6101/.../...	universal	left	10
STK6101g/right	WSA6101/.../...	universal	right	10

### KBE



Threshold adapter (SA...), seal blocks (DTH...), end holder (EH...) from plastic, fitting to KBE in grey (end holder from diecasted zinc)

Article Nr	to Profile	to Profile	DIN	Pack/Pieces
STK56-6307g/left	88plus	8324	left	10
STK56-6307g/right	88plus	8324	right	10
Article Nr	to Profile	Profile / Frame		Pack / Pair
SA5002/g	Emotion 70	universal		20
SA6401/g	70mm AD	universal		20
SA6402/g	70mm MD	universal		20

## System „COMBI“: Threshold frame, middle holders, french door end caps and end caps

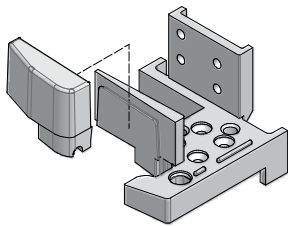
### KBE

Threshold adapter (SA...), seal blocks (DTH...), end holder (EH...)  
from plastic, fitting to KBE in grey (end holder from diecasted zinc)

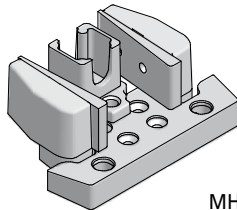
Article Nr	to Profile	Frame		Pack/Pieces
EH6401	70mm AD	universal		50
EH5012	88plus AD	universal		50
Article Nr	to Profile	Profile/Frame	Coments	Pack/Pieces
DTH6410g	70mm AD	universal	inc. seal	50

### KÖMMERLING

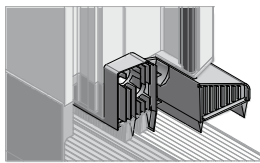
Threshold frame holder (SH...) middle post (MH...), frenchdoor end caps (STK...), threshold  
adapter (SA...) from plastic specific to KÖMMERLING in grey (end holder from diecasted zinc)



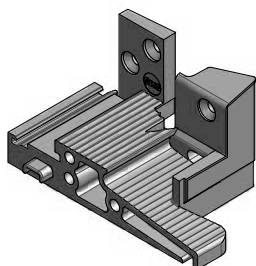
SH50-2401



MH50-2422



STK50-2440



SA5688



DTH6401g

Article Nr	to Profile	Frame	Width	Pack / Pair
SH50-0101g	Elegance	101	70mm	20
SH50-0102g	Elegance	102	85mm	20
SH50-2401g	Classic	2501	70mm	20
SH50-2402g	Classic	2502	85mm	20
SH56-6201g	88plus	6201	76mm	20
SH56-6202g	88plus	6202	89mm	20

Article Nr	to Profile	Profile	Width	Pack/Pieces
MH50-0122g	Elegance	122	90mm	20
MH50-0123g	Elegance	123	105mm	20
MH50-2422g	Classic	2422	90mm	20
MH50-2423g	Classic	2423	105mm	20
MH56-6221g	88plus	6221	98mm	20
MH56-6227g	88plus	6227	124mm	20

Article Nr	to Profile	to Profile	DIN	Pack/Pieces
STK50-2440g/left	Futur	2440, 0140, 2441	left	10
STK50-2440g/right	Futur	2440, 0140, 2441	right	10
STK5210g/left*	Futur	2440, 2441, 0140, 0141	left	10
STK5210g/right*	Futur	2440, 2441, 0140, 0141	right	10
STK56-6307g/left	88plus	6307, 6306	left	10
STK56-6307g/right	88plus	6307, 6306	right	10

\*Only for use with WSA5201

Article Nr	to Profile	Profile/Frame		Pack / Pair
SA5002g	Classic	universal		20
SA5003g	Elegance	universal		20
SA5688g	88plus	universal		20
SA7070g	MD 70mm	universal		20

Article Nr	to Profile	Profile/Frame		Pack / Pair
DTH6401g	Futur	universal		50

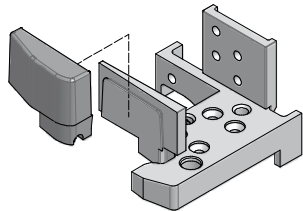
Article Nr	to Profile	Frame		Pack / Pair
EH5012	88plus	universal		50
EH5014	Elegance/Classic	universal		50

\*Only for use with WSA5201



**REHAU**

Threshold frame holder (SH...) middle post (MH...), frenchdoor end caps (STK...), from plastic specific to REHAU in grey

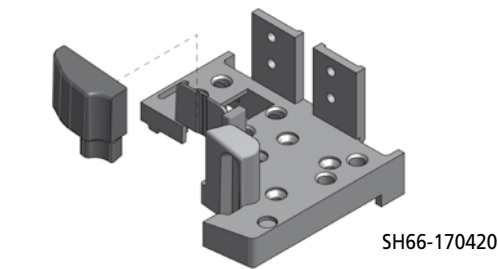


SH52-0010

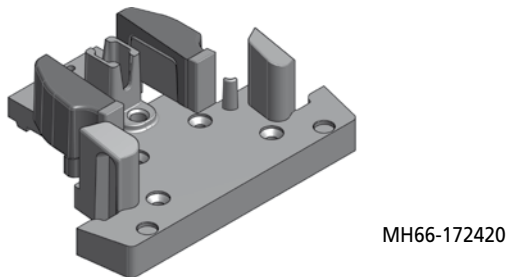
Article Nr	to Profile	Frame	Width	Pack / Pair
SH52-0000g/g	Brillant	550000/05	68mm	20
SH52-0010g/g	Brillant	550010/15	76mm	20
Article Nr	to Profile	Profile	Width	Pack/Pieces
MH52-0020g/g	Brillant	550020/25	86mm	20
MH52-0780g/g	Brillant	550780	120mm	20
Article Nr	to Profile	Profile	DIN	Pack/Pieces
STK52-0080g/left	70mm	550080	left	10
STK52-0080g/right	70mm	550080	right	10
STK5210g/left*	70mm	550080	left	10
STK5210g/right*	70mm	550080	right	10
*only with WSA5201				
Article Nr	to Profile	Profile/Frame		Pack / Pair
SA5201/g	Brillant	universal		20

**SALAMANDER**

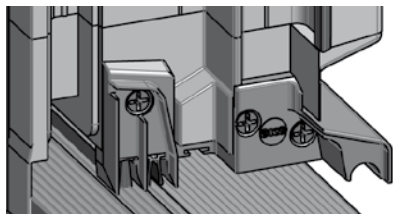
Threshold frame holder (SH...) middle post (MH...), frenchdoor end caps (STK...), threshold adapter (SA...) from plastic specific to SALAMANDER in grey



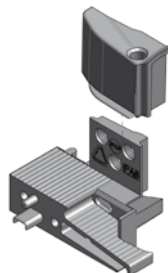
SH66-170420



MH66-172420



STK6601

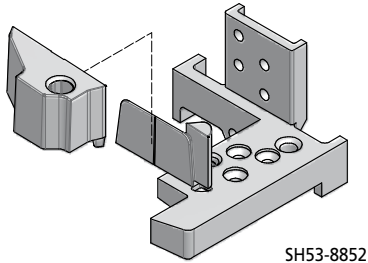


SA5801

Article Nr	to Profile	Frame	Width	Pack / Pair
SH58-250220g	Streamline	250220	68mm	20
SH58-250230g	Streamline	250230	85mm	20
SH58-110220g	3D	110220	81mm	20
SH58-110225g	3D/15°	110225	79mm	20
SH66-170420g	BluEvolution 92	170420	83mm	20
SH66-170430	BluEvolution 92	170430	103mm	20
Article Nr	to Profile	Profile	Width	Pack/Pieces
MH58-252120g	Streamline	252120	82mm	20
MH58-252130g	Streamline	252130	102mm	20
MH58-112220g	3D	112220	109mm	20
MH58-112225g	3D/15°	112225	108mm	20
MH66-172420g	BluEvolution 92	172420	116mm	20
Article Nr	to Profile	Profile	DIN	Pack/Pieces
STK58-116035g/left	3D	116035	left	10
STK58-116035g/right	3D	116035	right	10
STK58-256030/left	Streamline	236030	left	10
STK58-256030/right	Streamline	236030	right	10
STK6601/left	BluEvolution 92	176030	left	10
STK6601/right	BluEvolution 92	176030	right	10
STK5810G/left	76MD	136010	left	10
STK5810G/right	76MD	136010	right	10
STK5830G/left	76MD	136030	left	10
STK5830G/right	76MD	136030	right	10
Article Nr	to Profile	Profile/Frame		Pack / Pair
SA5801/g	Streamline	universal		20
SA5802/g	3D	universal		20
SA7360/g	2D	universal		20

## System „COMBI“: Threshold frame, middle holders, french door end caps and end caps

### SCHÜCO



SH53-8852

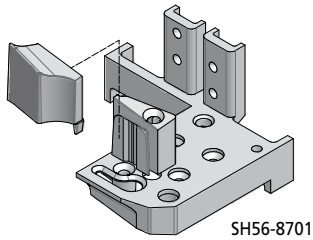
Threshold frame holder (SH...) middle post (MH...), frenchdoor end caps (STK...), threshold adapter (SA...) from plastic specific to SCHÜCO in grey

Article Nr	to Profile	Frame	Width	Pack / Pair
SH53-8852g	CT70	8852, 8597	78mm	20
SH53-8623g	CT70	8623	88mm	20

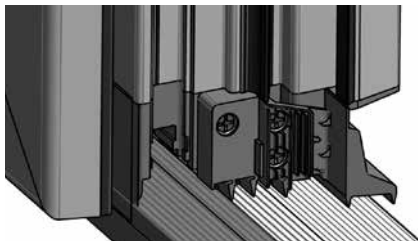
Article Nr	to Profile	Profile	Width	Pack/Pieces
MH53-8584g	CT70	8584, 8598	90mm	20
MH53-8608g	CT70	8608, 8599, 8849	110mm	20

Article Nr	to Profile	Remarks		Pack / Pair
SA5301/g	CT70 AD	only with TS57012, TS67012		20

### TROCAL



SH56-8701



STK56-6307

Threshold frame holder (SH...) middle post (MH...), frenchdoor end caps (STK...), from plastic specific to TROCAL in grey (end holder from diecasted zinc)

Article Nr	to Profile	Frame	Width	Pack / Pair
SH56-8701g *	88plus	8701	73mm	20
SH56-8702g	88plus	8702	94mm	20

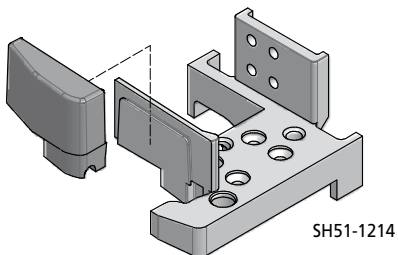
\*upon request

Article Nr	to Profile	Profile	Width	Pack/Pieces
MH56-8301g	88plus	8301	98mm	20

Article Nr	to Profile	Profile	DIN	Pack/Pieces
STK56-6307g/left	88plus	8324, 8322	left	10
STK56-6307g/right	88plus	8324, 8322	right	10

Article Nr	to Profile			Pack / Pair
EH5012	88plus			50

### VEKA 70mm



SH51-1214

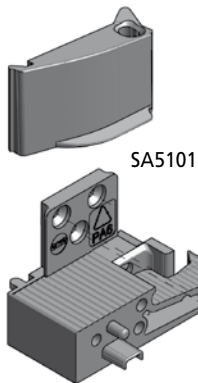
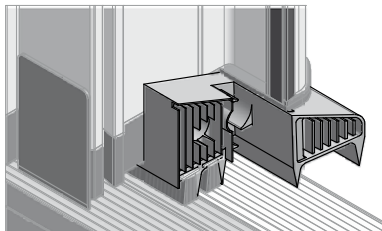
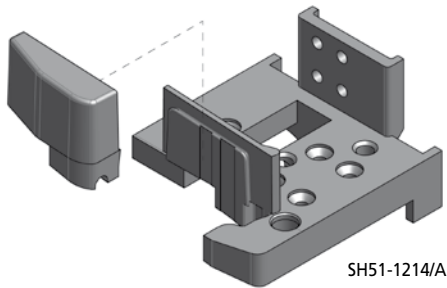
Threshold frame holder (SH...) middle post (MH...), frenchdoor end caps (STK...), end holder (EH...), from plastic specific to VEKA in grey (end holder from diecasted zinc)

Article Nr	to Profile	Frame	Width	Pack / Pair
SH51-1204g	Topline	101200, 101204	67mm	20
SH51-1204g/A	Topline	101200, 101204	67mm	20
SH51-1205g	Topline	101201, 101205	75mm	20
SH51-1206g	Topline	101206	80mm	20
SH51-1206g/A	Topline	101206	80mm	20
SH51-1208g	Softline 70	101208	67mm	20
SH51-1208g/A	Softline 70	101208	67mm	20
SH51-1214g	Softline 70	101214	80mm	20
SH51-1214g/A	Softline 70	101214	80mm	20

Remark: SH51-...g/A with integrated inlay. Only for use with threshold TS5...

**VEKA 70mm**

Threshold frame holder (SH...) middle post (MH...), frenchdoor end caps (STK...), end holder (EH...), from plastic specific to VEKA in grey (end holder from diecasted zinc)



Article Nr	to Profile	Profile	Width	Pack/Pieces
MH51-2200g	Topline	102200	85mm	20
MH51-2202g	Topline	102202	118mm	20
MH51-2218g	Softline 70	102218	85mm	20
MH51-2238g	Softline 70	102238	118mm	20

Article Nr	to Profile	Profile	DIN	Pack/Pieces
STK51-2215g/left	70mm AD	1022215	left	10
STK51-2215g/right	70mm AD	1022215	right	10
STK51-2236g/left	70mm AD	1022236	left	10
STK51-2236g/right	70mm AD	1022236	right	10
STK5210g/left*	70mm AD	1022236*	left	10
STK5210g/right*	70mm AD	1022236*	right	10
STK5210s/left/black*	70mm AD	1022236*	left	10
STK5210s/right/black*	70mm AD	1022236*	right	10
STK5220g/left*	70mm AD	1022215*	left	10
STK5220g/right*	70mm AD	1022215*	right	10
STK5220s/left/black*	70mm AD	1022215*	left	10
STK5220s/right/black*	70mm AD	1022215*	right	10
STK6910g/left	70mm MD	103253, 102279	left	10
STK6910g/right	70mm MD	103253, 102279	right	10

\*Only for use with WSA5201

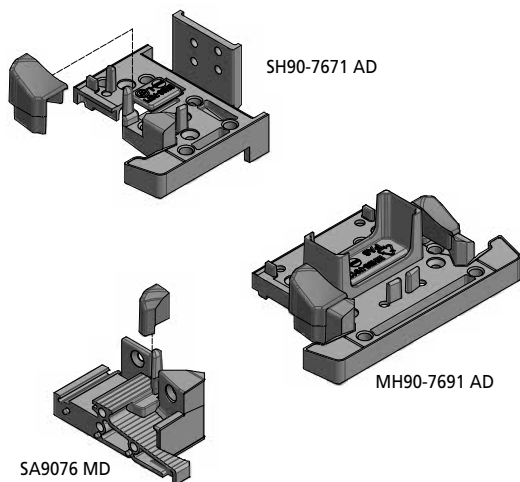
Article Nr	to Profile	Profile/Frame		Pack / Pair
SA5101/g	Softline AD 70mm	universal		20
SA5150/g	Topline AD 70mm	universal		20
SA6950/g	Softline MD 70mm	universal		20

Article Nr	to Profile	Coments	Colour	Pack / Pair
DTH5101g	70mm AD		grey	50

Article Nr	to Profile	Material	Colour	Pack / Pair
EH5101/raw	70mm AD	Zinc	raw	50

## System „COMBI“: Threshold frame, middle holders, french door end caps and end caps

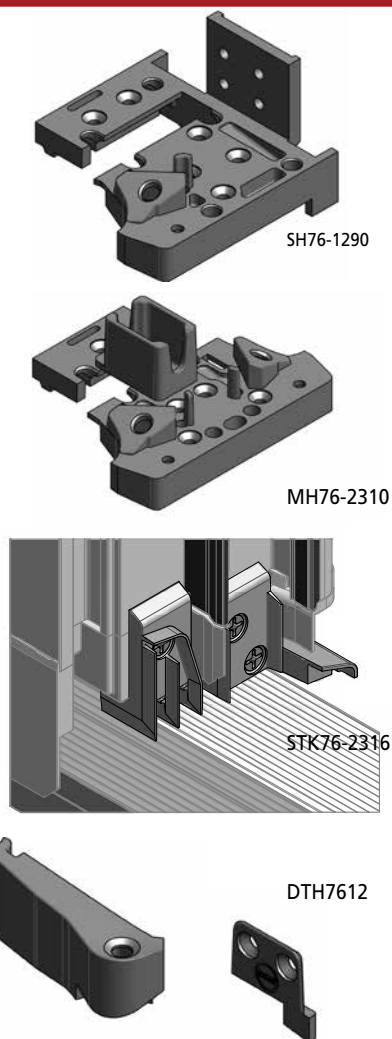
### VEKA SOFTLINE 76



Threshold frame holder (SH...) middle post (MH...), frenchdoor end caps (STK...), from plastic specific to VEKA 76 in grey – in preparation not yet available for delivery

Article Nr	to Profile	Frame	Width	Pack / Pair
SH90-7671g	SL 76mm	101 353, 101 350	71mm	20
SH90-7681g	SL 76mm	101 354, 101 351	81mm	20
SH90-76104g	SL 76mm	101 355, 101 352	104mm	20
Article Nr	to Profile	Profile	Width	Pack/Pieces
MH90-7691	SL 76mm	102 352, 102 350	92mm	20
MH90-76122	SL 76mm	102 357, 102 351	122mm	20
Article Nr	to Profile	Frame / Profile		Pack / Pair
SA9076/AD	SL 76mm AD	universal		20
SA9076/MD	SL 76mm MD	universal		20
Article Nr	to Profile	Profile	DIN	Pack/Pieces
STK907601g/left	SL 76mm	102354, 102356	left	10
STK907601g/right	SL 76mm	102354, 102356	right	10
STK907602g/left	SL 76mm	102358	left	10
STK907602g/right	SL 76mm	102358	right	10

### VEKA SOFTLINE 82



Threshold frame holder (SH...) middle post (MH...), frenchdoor end caps (STK...), adapter (SA...), seal block holder (DTH...) end holder (EH...), from plastic specific to VEKA Softline 82 in grey (end holder from diecasted zinc)

Article Nr	to Profile	Frame	Width	Pack / Pair
SH76-1290g	SL 82mm	101290, 101293**	73mm	20
SH76-1290s black*	SL 82mm	101290, 101293**	73mm	20
SH76-1291g	SL 82mm	101291, 101294**	83mm	20
SH76-1291s black*	SL 82mm	101291, 101294**	83mm	20

\*Available in black upon request/\*\* for the profiles 101293 and 101294 is the DTH7612 proposed for use, see below. The DTH7612 has to be purchased separately.

Article Nr	to Profile	Profile	Width	Pack/Pieces
MH76-2310g	SL 82mm	102310, 102312**	94mm	20
MH76-2310s black*	SL 82mm	102310, 102312**	94mm	20
MH76-2311g	SL 82mm	102311	124mm	20
MH76-2311s black*	SL 82mm	102311	124mm	20

\*Available in black upon request/\*\* for the profiles 102312 is the DTH7612 proposed for use, see below. The DTH7612 has to be purchased separately.

Article Nr	to Profile	Profile	DIN	Pack/Pieces
STK76-2316g/left	SL 82mm	102314, 102316	left	10
STK76-2316g/right	SL 82mm	102314, 102316	right	10
STK76-2316s/left/black	SL 82mm	102314, 102316	left	10
STK76-2316s/right/black	SL 82mm	102314, 102316	right	10
Article Nr	to Profile	Profile/Frame		Pack / Pair
SA7682MD/g	SL 82mm MD	universal		20
Article Nr	to Profile	Comments	Colour	Pack / Pair
DTH7612g	SL 82mm AD	addition for SH76.../MH76...	grey	50
DTH7612s black*	SL 82mm AD	addition for SH76.../MH76...	black*	50

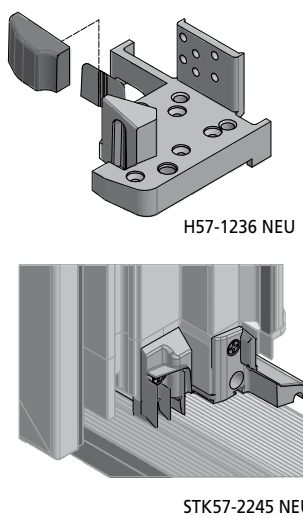
\* Available black upon request

**VEKA SOFTLINE 82** Threshold frame holder (SH...) middle post (MH...), frenchdoor end caps (STK...), adapter (SA...), seal block holder (DTH...) end holder (EH...), from plastic specific to VEKA Softline 82 in grey (end holder from diecasted zinc)

Article Nr	to Profile	Material	Colour	Pack / Pair
EH7682g	SL 82mm	Polyamid	grey	50

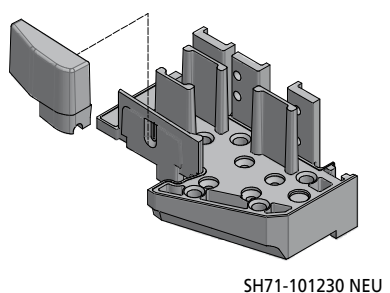
\* Available black upon request

**VEKA ALPHALINE** Threshold frame holder (SH...) middle post (MH...), frenchdoor end caps (STK...), from plastic specific to VEKA Alphaline in grey (end holder from diecasted zinc)



Article Nr	to Profile	Frame	Width	Pack / Pair
SH57-1236g	Alphaline	101236	84mm	20
SH57-1237g	Alphaline	101237	105mm	20
Article Nr	to Profile	Profile	Width	Pack/Pieces
MH57-2242g	Alphaline	102242	119mm	20
Article Nr	to Profile	Profile	DIN	Pack/Pieces
STK57-2245g/left	Alphaline	102245, 102244	left	10
STK57-2245g/right	Alphaline	102245, 102244	right	10
Article Nr	to Profile	Comments	Colour	Pack / Pair
DTH5701g	Alphaline		grey	50
Article Nr	to Profile	Material	Colour	Pack / Pair
EH5701/raw	Alphaline	Zink	raw	50

**VEKA TOPLINE NL** Threshold frame holder (SH...) middle post (MH...), Adapter (AD...) from plastic, fitting to VEKA Topline NL in grey

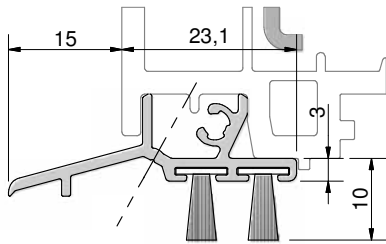


Article Nr	to Profile	Frame	Width	Pack / Pair
SH71-1230g	Topline NL	101230, 101231	67/85mm	10
SH71-2229g	Topline NL	102229	78mm	10
SH71-101230g	Topline NL	101230	67/85mm	10
SH71-101288g	Topline NL	101288	67/85mm	10
SH71-102259g/right	Topline NL	102259	85mm	10
SH71-102259g/left	Topline NL	102259	85mm	10

Article Nr	to Profile	Profile	Width	Pack/Pieces
MH71-2230g	Topline NL	102230	67/85mm	20

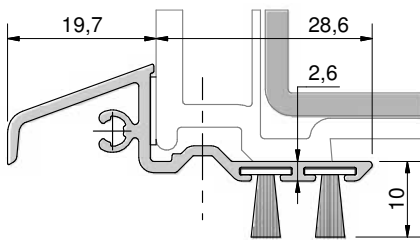
Article Nr	to Profile	Profile/Frame		Pack / Pair
AD71-1231/grey	Topline NL			10

## Weatherside Profilee system "COMBI"



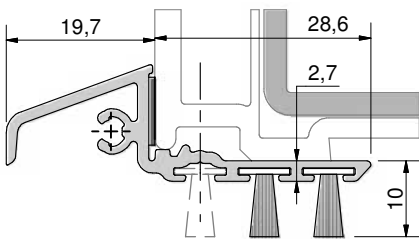
### Weatherside profile with double brush seal (BD...), 1950mm long Fitting to SCHÜCO CT70 in EV1

Article Nr	Brush seals (1100mm) piece	Recess	Pack / Set
WSA5038//BD08/BD08	4 Brush seals BD08	8mm	25
WSA5038/BD10/BD10	4 Brush seals BD10	10mm	25
WSA5038/BD12/BD12	4 Brush seals BD12	12mm	25



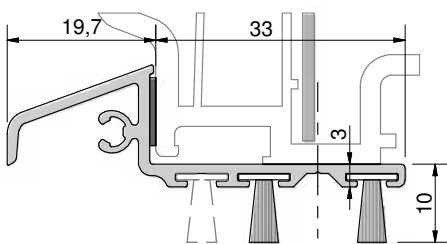
### Weatherside profile with double brush seal (BD...), 1950mm long Fitting to KBE 70mm, KÖMMERLING 70mm, REHAU 70mm, VEKA 70mm in EV1, self-adhesive

Article Nr	Brush seals (1100mm) piece	Recess	Pack / Set
WSA5048SK/BD08/BD08	4 Brush seals BD08	8mm	25
WSA5048SK/BD10/BD10	4 Brush seals BD10	10mm	25
WSA5048SK/BD12/BD12	4 Brush seals BD12	12mm	25



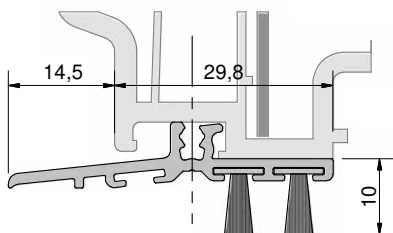
### Weatherside profile with double brush seal (BD...), 1950mm long Fitting to KBE70mm, KÖMMERLING 70mm, REHAU 70mm, VEKA 70mm in EV1, self-adhesive

Article Nr	Brush seals (1100mm) piece	Recess	Pack / Set
WSA5049SK/BD08/BD08	4 Brush seals BD08	8mm	25
WSA5049SK/BD10/BD10	4 Brush seals BD10	10mm	25
WSA5049SK/BD12/BD12	4 Brush seals BD12	12mm	25
WSA5049SK/ upon request			



### Weatherside profile with double brush seal (BD...), 1950mm long Fitting to HOLZ, universell einsetzbar in EV1, self-adhesive

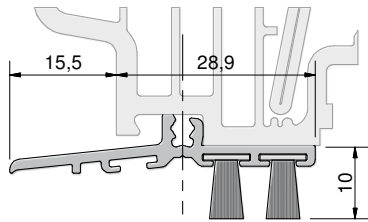
Article Nr	Brush seals (1100mm) piece	Recess	Pack / Set
WSA5052SK/BD08/BD08	4 Brush seals BD08	8mm	25
WSA5052SK/BD10/BD10	4 Brush seals BD10	10mm	25
WSA5052SK/BD12/BD12	4 Brush seals BD12	12mm	25



### Weatherside profile with double brush seal (BD...), 1950mm long Fitting to REHAU Brilliant in EV1

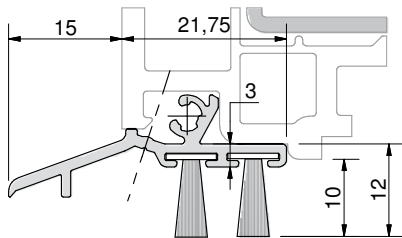
Article Nr	Brush seals (1100mm) piece	Recess	Pack / Set
WSA5201/EV1/BD08/BD08	4 Brush seals BD08	8mm	25
WSA5201/EV1/BD10/BD10	4 Brush seals BD10	10mm	25
WSA5201/EV1/BD12/BD12	4 Brush seals BD12	12mm	25

Available Graphitmetallic upon request.



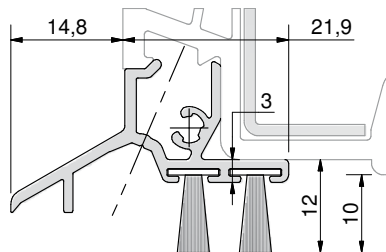
**Weatherside profile with double brush seal (BD...), 1950mm long Fitting to VEKA 70AD, KÖMMERLING 70AD in EV1**

Article Nr	Brush seals (1100mm) piece	Recess	Pack / Set
WSA5202/EV1/BD08/BD08	4 Brush seals BD08	8mm	25
WSA5202/EV1/BD10/BD10	4 Brush seals BD10	10mm	25
WSA5202/EV1/BD12/BD12	4 Brush seals BD12	12mm	25



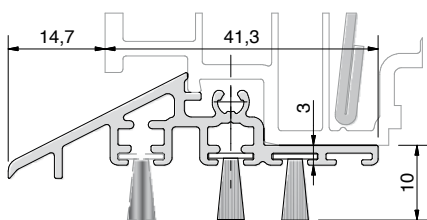
**Weatherside profile with double brush seal (BD...), 1950mm long Fitting to BRÜGMANN AD in EV1**

Article Nr	Brush seals (1100mm) piece	Recess	Pack / Set
WSA5414/BD08/BD08	4 Brush seals BD08	8mm	25
WSA5414/BD10/BD10	4 Brush seals BD10	10mm	25
WSA5414/BD12/BD12	4 Brush seals BD12	12mm	25



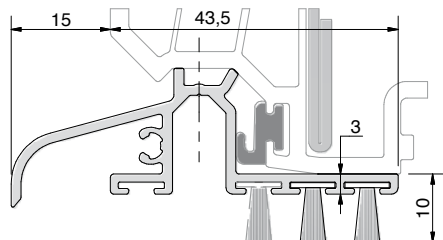
**Weatherside profile with double brush seal (BD...), 1950mm long Fitting to BRÜGMANN MD in EV1**

Article Nr	Brush seals (1100mm) piece	Recess	Pack / Set
WSA5420/BD08/BD08	4 Brush seals BD08	8mm	25
WSA5420/BD10/BD10	4 Brush seals BD10	10mm	25
WSA5420/BD12/BD12	4 Brush seals BD12	12mm	25



**Weatherside profile with double brush seal (BD...), 1950mm long Fitting to KBE 88mm, KÖMMERLING 88plus, TROCAL 88plus in EV1**

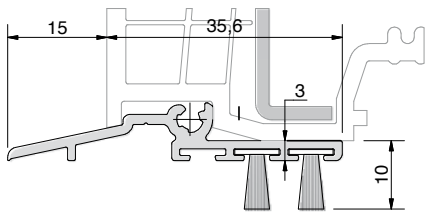
Article Nr	Brush seals (1100mm) piece	Recess	Pack / Set
WSA5656/BD08/BD08	4 Brush seals BD08	8mm	25
WSA5656/BD10/BD10	4 Brush seals BD10	10mm	25
WSA5656/BD12/BD12	4 Brush seals BD12	12mm	25



**Weatherside profile with double brush seal (BD...), 1950mm long Fitting to VEKA Alphasline in EV1**

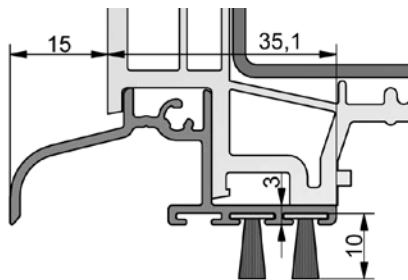
Article Nr	Brush seals (1100mm) piece	Recess	Pack / Set
WSA5760/BD08/BD08	4 Brush seals BD08	8mm	25
WSA5760/BD10/BD10	4 Brush seals BD10	10mm	25
WSA5760/BD12/BD12	4 Brush seals BD12	12mm	25

## Weatherside Profilee system "COMBI"



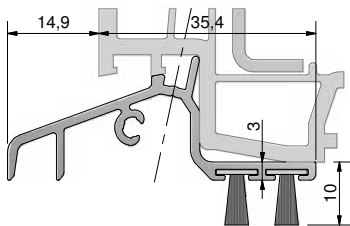
### Weatherside profile with double brush seal (BD...), 1950mm long Fitting to SALAMANDER Streamline in EV1

Article Nr	Brush seals (1100mm) piece	Recess	Pack / Set
WSA5801/BD08/BD08	4 Brush seals BD08	8mm	25
WSA5801/BD10/BD10	4 Brush seals BD10	10mm	25
WSA5801/BD12/BD12	4 Brush seals BD12	12mm	25



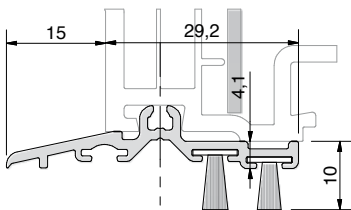
### Weatherside profile with double brush seal (BD...), 1950mm long Fitting to SALAMANDER 3D in EV1

Article Nr	Brush seals (1100mm) piece	Recess	Pack / Set
WSA5802/BD08/BD08	4 Brush seals BD08	8mm	25
WSA5802/BD10/BD10	4 Brush seals BD10	10mm	25
WSA5802/BD12/BD12	4 Brush seals BD12	12mm	25



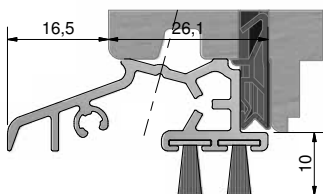
### Weatherside profile with double brush seal (BD...), 1950mm long Fitting to SALAMANDER 76 MD in EV1

Article Nr	Brush seals (1100mm) piece	Recess	Pack / Set
WSA5803/EV1/BD08/BD08	4 Brush seals BD08	8mm	25
WSA5803/EV1/BD10/BD10	4 Brush seals BD10	10mm	25
WSA5803/EV1/BD12/BD12	4 Brush seals BD12	12mm	25



### Weatherside profile with double brush seal (BD...), 1950mm long Fitting to ALUPLAST Ideal 4000 in EV1

Article Nr	Brush seals (1100mm) piece	Recess	Pack / Set
WSA6001/BD08/BD10	2 Brush seals BD08, 2 Brush seals BD10	10mm	25
WSA6001/BD10/BD12	2 Brush seals BD10, 2 Brush seals BD12	12mm	25

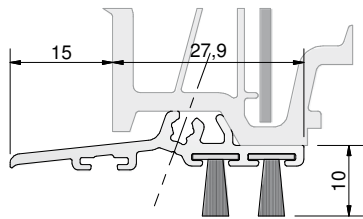


### Weatherside profile with double brush seal (BD...), 1950mm long Fitting to Wood MD in EV1

Article Nr	Brush seals (1100mm) piece	Recess	Pack / Set
WSA6101/BD08/BD08	4 Brush seals BD08	8mm	25
WSA6101/BD10/BD10	4 Brush seals BD10	10mm	25
WSA6101/BD12/BD12	4 Brush seals BD12	12mm	25

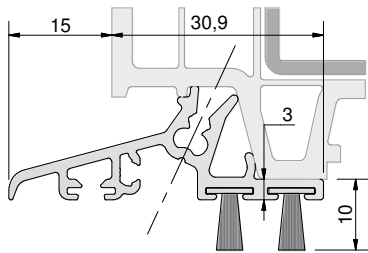


# Weatherside Profilee system "COMBI"



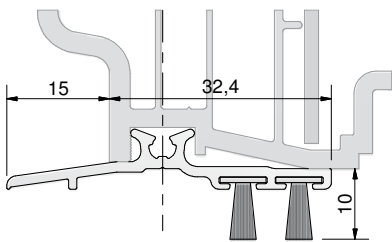
### Weatherside profile with double brush seal (BD...), 1950mm long Fitting to KBE 70AD in EV1

Article Nr	Brush seals (1100mm) piece	Recess	Pack / Set
WSA6401/EV1/BD08/BD08	4 Brush seals BD08	8mm	25
WSA6401/EV1/BD10/BD10	4 Brush seals BD10	10mm	25
WSA6401/EV1/BD12/BD12	4 Brush seals BD12	12mm	25



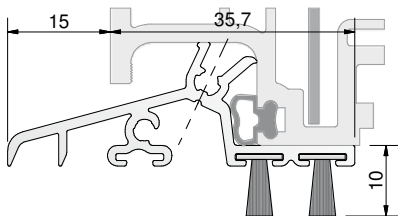
### Weatherside profile with double brush seal (BD...), 1950mm long Fitting to KBE 70MD in EV1

Article Nr	Brush seals (1100mm) piece	Recess	Pack / Set
WSA6402/EV1/BD08/BD08	4 Brush seals BD08	8mm	25
WSA6402/EV1/BD10/BD10	4 Brush seals BD10	10mm	25
WSA6402/EV1/BD12/BD12	4 Brush seals BD12	12mm	25



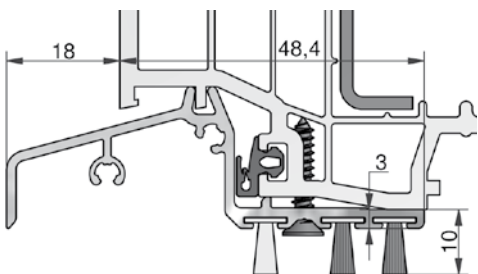
### WetterschenkelProfile, inclusive Brush seals (BD...), bzw. LippenBrush seals (LD...), 1950mm long Fitting to GEALAN 8000 in EV1

Article Nr	Brush seals (1100mm) piece	Recess	Pack / Set
WSA6501/BD08/BD08	4 Brush seals BD08	8mm	25
WSA6501/BD10/BD10	4 Brush seals BD10	10mm	25
WSA6501/BD12/BD12	4 Brush seals BD12	12mm	25



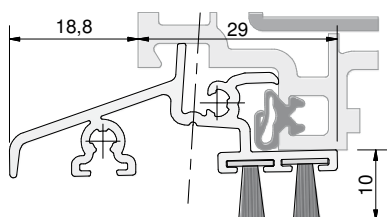
### Weatherside profile with double brush seal (BD...), 1950mm long Fitting to GEALAN 7000 in EV1

Article Nr	Brush seals (1100mm) piece	Recess	Pack / Set
WSA6522/EV1/BD08/BD08	4 Brush seals BD08	8mm	25
WSA6522/EV1/BD10/BD10	4 Brush seals BD10	10mm	25
WSA6522/EV1/BD12/BD12	4 Brush seals BD12	12mm	25



### Weatherside profile with double brush seal (BD...), 1950mm long Fitting to BRÜGMANN bluEvolution, SALAMANDER bluEvolution in EV1

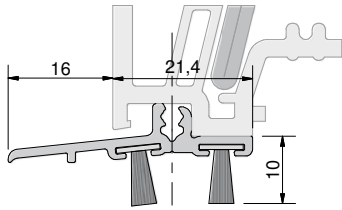
Article Nr	Brush seals (1100mm) piece	Recess	Pack / Set
WSA6601/BD08/BD08	4 Brush seals BD08	8mm	25
WSA6601/BD10/BD10	4 Brush seals BD10	10mm	25
WSA6601/BD12/BD12	4 Brush seals BD12	12mm	25



### Weatherside profile with double brush seal (BD...), 1950mm long Fitting to VEKA MD70 in EV1

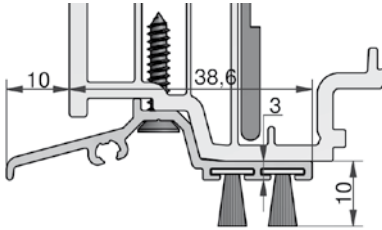
Article Nr	Brush seals (1100mm) piece	Recess	Pack / Set
WSA6901/BD08/BD08	4 Brush seals BD08	8mm	25
WSA6901/BD10/BD10	4 Brush seals BD10	10mm	25
WSA6901/BD12/BD12	4 Brush seals BD12	12mm	25

## Weatherside Profilee, door seals system "COMBI"



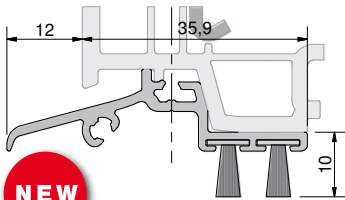
### Weatherside profile with double brush seal (BD...), 1950mm long Fitting to SALAMANDER 2D in EV1

Article Nr	Brush seals (1100mm) piece	Recess	Pack / Set
WSA7310/BD08/BD08	4 Brush seals BD08	8mm	25
WSA7310/BD10/BD10	4 Brush seals BD10	10mm	25
WSA7310/BD12/BD12	4 Brush seals BD12	12mm	25



### Weatherside profile with double brush seal (BD...), 1950mm long Fitting to VEKA Softline 82 in EV1

Article Nr	Brush seals (1100mm) piece	Recess	Pack / Set
WSA7610/BD08/BD08	4 Brush seals BD08	8mm	25
WSA7610/BD10/BD10	4 Brush seals BD10	10mm	25
WSA7610/BD12/BD12	4 Brush seals BD12	12mm	25

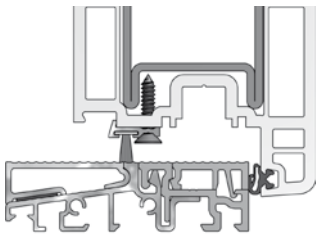


**NEW**

### Weatherside profile with double brush seal (BD...), 1950mm long Fitting to VEKA Softline 76 in EV1

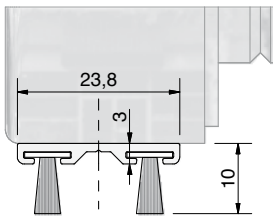
Article Nr	Brush seals (1100mm) piece	Recess	Pack / Set
WSA9076/EV1/BD08/BD08*	4 Brush seals BD08	8mm	25
WSA9076/EV1/BD10/BD10*	4 Brush seals BD10	10mm	25
WSA9076/EV1/BD12/BD12*	4 Brush seals BD12	12mm	25

\*In preparation not yet available for delivery



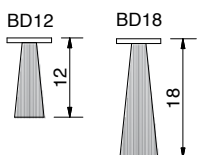
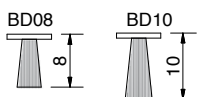
### Outward opening door seal, with seal, 5000mm long fitting to ALUPLAST 4000/8000, BRÜGMANN AD/MD73, Wood, KÖMMERLING 70mm, REHAU 70mm, SALAMANDER Streamline, TROCAL 88plus, VEKA 70mm

Article Nr	Brush seals (1100mm) Meter	Recess	Pack / Set
TD5015/BD08	1 Brush seal BD08	8mm	25
TD5015/BD10	1 Brush seal BD10	10mm	25
TD5015/BD12	1 Brush seal BD12	12mm	25
TD5015/BD18	1 Brush seal BD18	18mm	25



### Alu holder, including brush seal (BD...), TPE seal (LD...), 5000mm long fitting to WOODEN HOUSE DOORS in EV1

Article Nr	Brush seals (1100mm) Meter	Recess	Pack / Meter
TD5024/BD08/BD08	2 Brush seals BD08	8mm	50
TD5024/BD10/BD10	2 Brush seals BD10	10mm	50
TD5024/BD12/BD12	2 Brush seals BD12	12mm	50
TD5024/BD18/BD18	2 Brush seals BD18	18mm	50

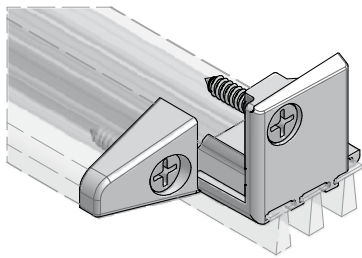


### Optional Seals, 1100mm long

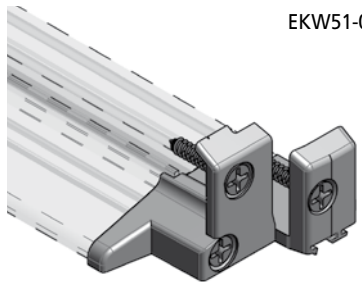
Article Nr	Material	Height	Pack/Pieces
BD08*	Brush seal	8mm	100
BD10*	Brush seal	10mm	100
BD12*	Brush seal	12mm	100
BD18*	Brush seal	18mm	125

\*Only available in conjunction with GKG Weatherside profile or holder

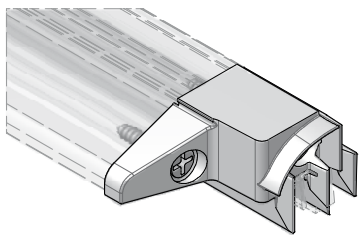
## End caps, run up blocks fitting Threshold system "COMBI"



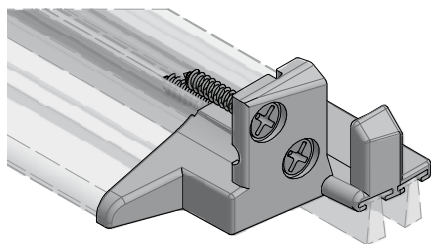
EKW51-002



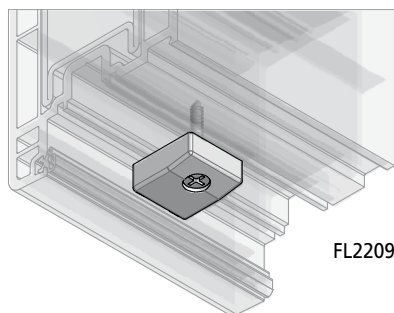
EKW7601



EKW6101



EKW9076



FL2209

### End cap pair fitting to Weatherside profile WSA

Article Nr	Colour	to WSA...	to Profile	Pack / Pair
EKW50-001g	grey	5048/5049	KBE 70mm, KÖMMERLING 70mm REHAU 70mm	50
EKW51-002g	grey	5048/5049	REHAU 70mm, VEKA AD 70mm	50
EKW52-003g	grey	5052	KBE 70mm, REHAU	50
EKW5210g	grey	5201	REHAU Brilliant/Euro Design, VEKA AD 70, KÖMMERLING AD 70	50
EKW5210s	black*	5201	REHAU Brilliant/Euro Design, VEKA AD 70, KÖMMERLING AD 70	50
EKW53-005g	grey	5038	SCHÜCO CT70	50
EKW54-014g	grey	5414	Brügmann AD	50
EKW54-020g	grey	5420	Brügmann MD	50
EKW56-056g	grey	5656	Kömmerling 88plus / Trocal 88plus / KBE 88plus	50
EKW57-060g	grey	5760	Veka Alphaline	50
EKW5801g	grey	5801	Salamander Streamline	50
EKW5802g	grey	5802	Salamander 3D	50
EKW5803g	grey	5803	Salamander 76mm MD	50
EKW6001g	grey	6001	Aluplast 4000	50
EKW60-004g	grey	5052	universal	50
EKW6101g	grey	6101	Wood	50
EKW6101s	black*	6101	Wood	50
EKW61-5024g	grey	TD5024	Wood	50
EKW6410g	grey	6401	KBE 70mm AD	50
EKW6420g	grey	6402	KBE 70mm MD	50
EKW6501g	grey	6501	Gealan S 8000 IQ	50
EKW6522g	grey	6522	Gealan S 7000 MD	50
EKW6601g	grey	6601	Brügmann/Salamander Blue Evolution	50
EKW6920g	grey	6901	Veka 70mm MD	50
EKW7018g	grey	6901	Kömmerling MD70mm	50
EKW7310g	grey	7310	Salamander 2D	50
EKW7420g	grey	6901	Aluplast Ideal 5000	50
EKW7601g	grey	7610	VEKA Softline 82mm	50
EKW7601s black	black*	7610	VEKA Softline 82mm	50
EKW9076g**	grey	9076	VEKA Softline 76mm	50

\* Available black upon request

\*\* In preparation not yet available for delivery

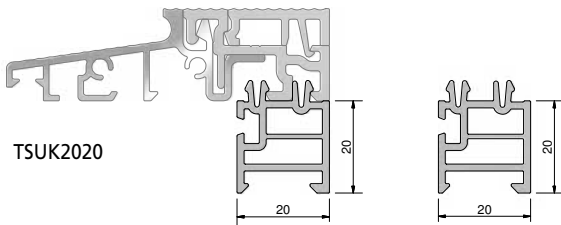
### Leaf run up block for DK doors 10mm recess

Article Nr	Colour	Recess	Pack/Pieces
FL2209/grey	grey	10mm	100

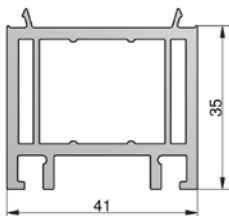
# PVC-Threshold packer, fitting to „COMBI / COMBI Plus“ and „BASIC“ clip fitting, 4500mm

## PVC-Threshold packer, clip fitting, 4500mm, apart from TS57032

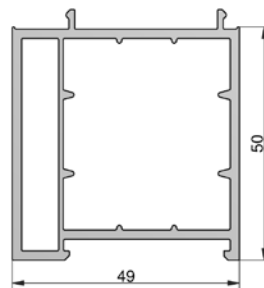
Article Nr	Colour	Size	Remarks	Pack / Meter
TSUK2020	light grey	20x20mm		45
TSUK4135	light grey	41x35mm		45
TSUK4180	light grey	41x80mm		45
TSUK5049	light grey	49x50mm		45
TSUK5049-Steg	light grey	49x50mm	with partition	45
TSUK6230/RC	grey	62x30mm	recycling material	36
TSUK6265/RC	grey	62x65mm	recycling material	36



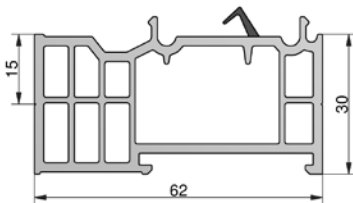
TSUK2020



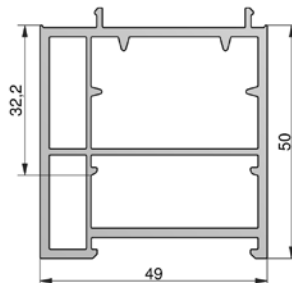
TSUK4135  
 $U_m = 1,9 \text{ W}/(\text{m}^2 \cdot \text{K})$



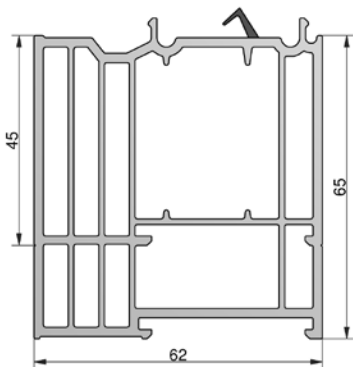
TSUK5049  
 $U_m = 1,8 \text{ W}/(\text{m}^2 \cdot \text{K})$



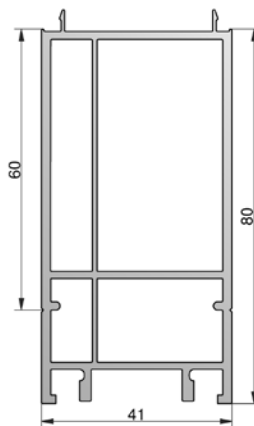
TSUK6230  
 $U_m = 1,3 \text{ W}/(\text{m}^2 \cdot \text{K})$



TSUK5049-Steg  
 $U_m = 1,8 \text{ W}/(\text{m}^2 \cdot \text{K})$

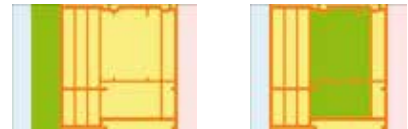


TSUK6265  
 $U_m = 1,2 \text{ W}/(\text{m}^2 \cdot \text{K})$



TSUK4180  
 $U_m = 1,8 \text{ W}/(\text{m}^2 \cdot \text{K})$

### Increased U-Values through insulation:



Application example:  
TSUK6265 with 15 mm  
Insulation PUR 030  
 $U_m = 0,747 \text{ W}/(\text{m}^2 \cdot \text{K})$   
Total width: 77mm

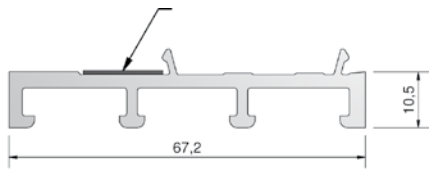
Application example:  
TSUK6265 with 2 Kammern  
foamed out with PUR 030  
 $U_m = 0,781 \text{ W}/(\text{m}^2 \cdot \text{K})$   
Total width: 62mm

Further information available upon request !

- Temperature inside 20°
- Cavities in profile
- PVC Hard
- PUR 030
- Temperature outside 0°

Can also be cut!  
The measurement on the left of  
each packer indicates  
the ideal position to cut.

**PVC-Threshold packer, fitting to „COMBI / COMBI Plus“ clip fitting, 4500mm**



TSAP1067g

**Adapter profile (TSAP...) from PVC, with adhesive band, length: 4500mm  
for fused with TSUK68-30 / TSUK68-100 / TSUK68-150**

Article Nr	Colour	Size	Pack / Meter
TSAP1067g	light grey RAL7035	68x10,5mm	45

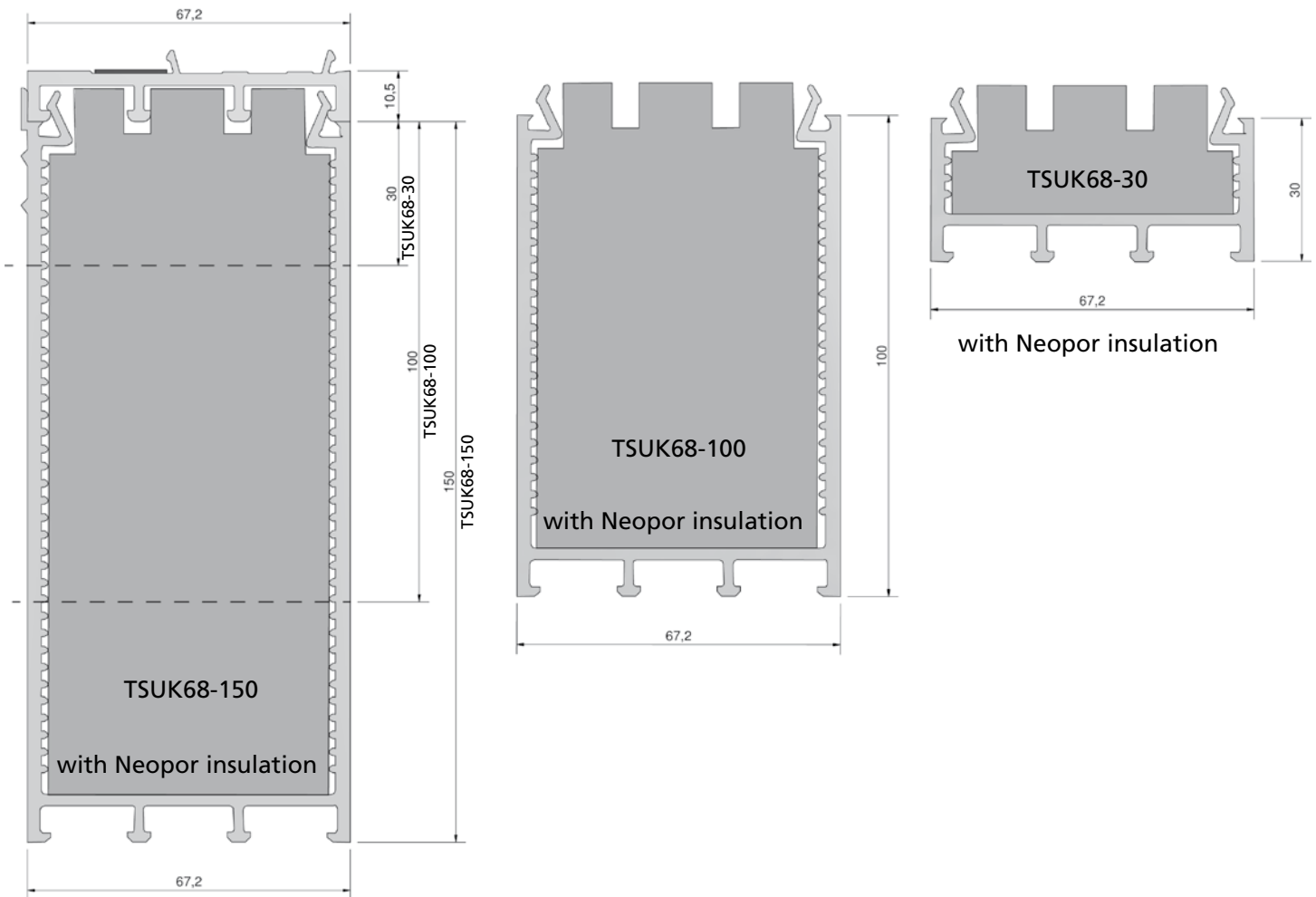
**Threshold packer (TSUK68...)\* from PVC with Neopor insulation, passive house  
(U-Wert < 0,85) Länge: 4500mm, clip fitting with GKG Adapter profile TSAP1067**

Article Nr	Colour	Size	Pack / Meter
TSUK68-30	RC grey**	67,2x30mm	9
TSUK68-100	RC grey**	67,2x100mm	9
TSUK68-150	RC grey**	67,2x150mm	9

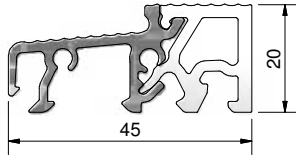
\*only for use with GKG Adapter profile TSAP1067!

\*\*Recycling material grey with on extruded white surface.

TSAP1067g with TSUK68-150



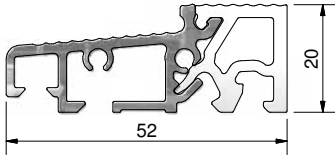
## System "BASIC" Aluminium Threshold, rippled surface with protective foil



### 45mm Depth - without Thermal bridge, 4500mm long

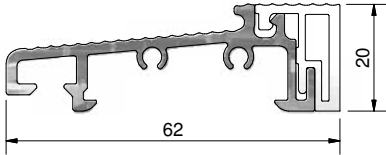
Article Nr	Colour	Size	Pack / Meter
TS2245/grey	EV1 anodized / RastProfile grey fitting threshold packer: TSUK4135, TSUK4180	45x20mm	45

upon request erhältlich



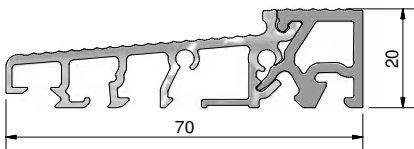
### 52mm Depth - without Thermal bridge, 4500mm long

Article Nr	Colour	Size	Pack / Meter
TS2252/grey	EV1 anodized / RastProfile grey fitting threshold packer: TSUK4135, TSUK4180	52x20mm	45



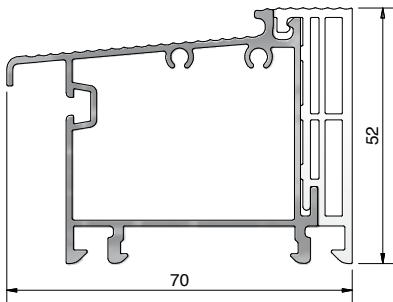
### 62mm Depth - without Thermal bridge, 4500mm long

Article Nr	Colour	Size	Pack / Meter
TS2162/grey	EV1 anodized / RastProfile grey fitting threshold packer: TSUK4135, TSUK5049, TSUK4180	62x20mm	45



### 70mm Depth - without Thermal bridge, 4500mm long

Article Nr	Colour	Size	Pack / Meter
TS2270/grey	EV1 anodized / RastProfile grey fitting threshold packer: TSUK4135, TSUK5049, TSUK4180, TSUK41130 also fits to: Aluplast 120242, KBE 741, 144, 545, 546, Kömmerling 997, 998, 1046, 1272, Veka 114024, 114012, 114011, 114017	70x20mm	45

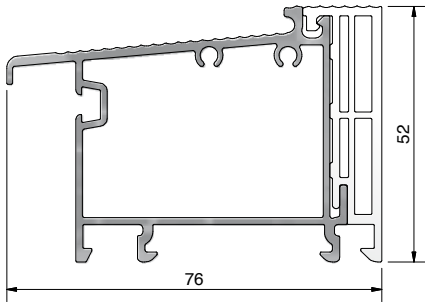
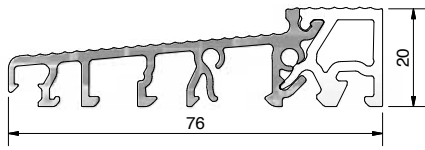


### 70mm Depth - without Thermal bridge, 4500mm long

Article Nr	Colour	Size	Pack / Meter
TS2070/grey	EV1 anodized / RastProfile grey fitting threshold packer: TSUK4135, TSUK5049, TSUK4180 also fits to: Kömmerling 997, 998, 1272, 1046	70x52mm	27

upon request

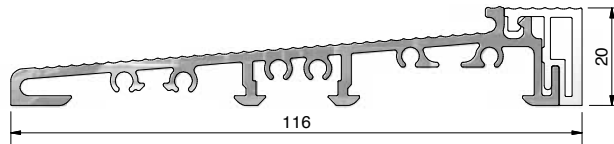
## System "BASIC" Aluminium Threshold, rippled surface with protective foil



### 76mm Depth - without Thermal bridge, 4500mm long

Article Nr	Colour	Size	Pack / Meter
TS2276/grey	EV1 anodized / RastProfile grey fitting threshold packer: TSUK4135, TSUK5049, TSUK4180	76x20mm	45
TS2076/grey *	EV1 anodized / RastProfile grey fitting threshold packer: TSUK4135, TSUK5049, TSUK4180 also fits to: Salamander 416155, 416165, 406175	76x52mm	27

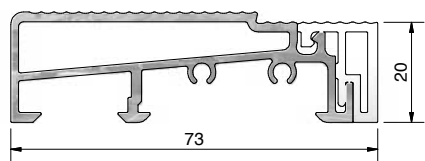
\* upon request



### 116mm Depth - without Thermal bridge, 4500mm long

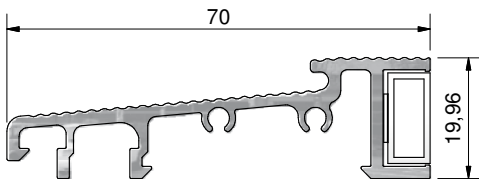
Article Nr	Colour	Size	Pack / Meter
TS21116/grey*	EV1 anodized / RastProfile grey fitting threshold packer: TSUK4135, TSUK5049, TSUK4180	116x20mm	27

\* upon request



### Außen öffnend 73mm Depth - without Thermal bridge, 4500mm long, inc. Dichtkissen

Article Nr	Colour	Size	Pack / Meter
TSA2473/grey	EV1 anodized / RastProfile grey fitting threshold packer: TSUK4135, TSUK5049, TSUK4180	73x22mm	45



### 70mm Depth - with PVC Inlay, 4500mm long

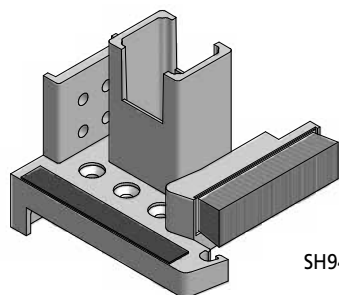
Article Nr	Colour	Size	Pack / Meter
TS9270/grey	EV1 anodized / Profile grey	70x20mm	45

only upon request

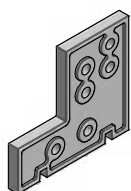
## Threshold holder, post holder, end holders fitting to threshold „BASIC“

### ALUPLAST

Threshold...(SH) Post...(MH) from plastic diecasted zinc end holders (EH) for outward opening doors and contour milled frames fitting to Aluplast



SH94-003



EH98-40

Article Nr	Colour	to Profile	Frame	Width	Pack / Pair
SH94-002g/g	grey	4000	140 002	70mm	20
SH94-003g/g	grey	4000	140 003	80mm	20
SH95-402g/g	grey	2000	140 002	70mm	20
SH95-403g/g	grey	2000	140 003	80mm	20

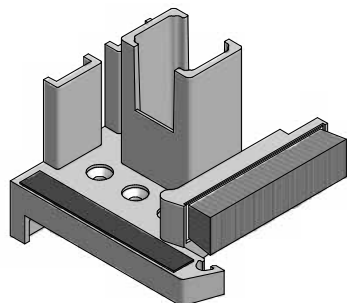
Article Nr	Colour	to Profile	Profilee	Width	Pack/Pieces
MH94-041g/g	grey	4000	140 041	84mm	20
MH94-045g/g	grey	4000	140 045	104mm	20
MH95-441g/g	grey	2000	120 041 120 042	80mm	20
MH95-443g/g	grey	2000	140 043	100mm	20

Article Nr	Colour	to Profile		Pack / Pair
EH93-16Schüc *	raw	2000, 3000		50
EH98-40 *	raw	4000		50

\* upon request

### BRÜGMANN

Threshold...(SH) Post...(MH) from plastic diecasted zinc end holders (EH) for outward opening doors and contour milled frames fitting to Brüggmann



SH98-103

Article Nr	Colour	to Profile	Frame	Width	Pack / Pair
SH98-102g/g	grey	AD73	HP102	68mm	20
SH98-103g/g	grey	AD73	HP103	78mm	20
SH98-104g/g	grey	AD73	HP73	90mm	20

Article Nr	Colour	to Profile	Profile	Width	Pack/Pieces
MH98-302g/g	grey	AD73	HP302	90mm	20
MH98-303g/g	grey	AD73	HP303	102mm	20
MH98-304g/g	grey	AD73	HP304	115mm	20

Article Nr	Colour	to Profile		Pack / Pair
EH93-73 *	raw	AD73		50

\* upon request

### GEALAN

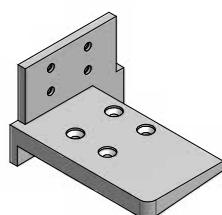
Diecasted zinc end holders (EH) for outward opening doors and contour milled frames fitting to Gealan

Article Nr	Colour	to Profile		Pack / Pair
EH93-02 *	raw	S8000		50
EH93-08Geala *	raw	S3000		50

\* upon request

### WOODEN HOUSE DOORS

Diecasted zinc end holders (EH) for outward opening doors and contour milled frames fitting to wooden house doors



SH99-86

Article Nr	Colour	to Profile		Pack / Pair
SH99-86g	grey	Wood		20
Article Nr	Colour	to Profile	Comments	Pack/Pieces
SA93-68g	grey	Wood	black on request	80
Article Nr	Colour	to Profile		Pack / Pair
EH93-03Köm *	raw	Wood		50

\* upon request

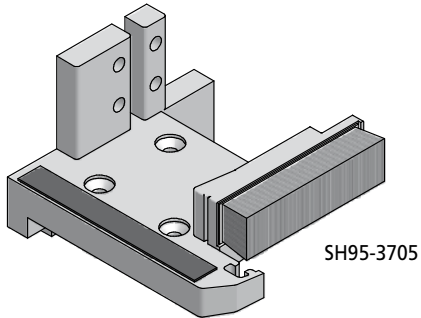


## Threshold holder, post holder, end holders fitting to threshold „BASIC“

### KBE

Threshold...(SH) Post...(MH) from plastic diecasted zinc end holders (EH)  
for outward opening doors and contour milled frames fitting to KBE

Article Nr	Colour	to Profile	Frame	Width	Pack / Pair
SH95-3701g/g	grey	70mm	371	90mm	20
SH95-3702g/g	grey	70mm	370	69mm	20
SH95-3705g/g	grey	70mm	372	79mm	20



Article Nr	Colour	to Profile	Profile	Width	Pack/Pieces
MH95-3703g/g	grey	70mm	381	126mm	20
MH95-3704g/g	grey	70mm	380	82mm	20
MH95-3706g/g	grey	70mm	382	104mm	20

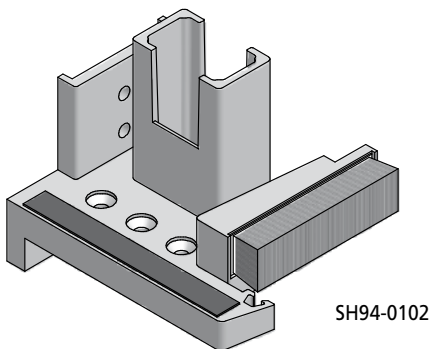
Article Nr	Colour	to Profile		Pack / Pair
EH93-01KB *	raw	58mm		50
EH98-02 *	raw	70mm		50

\* upon request

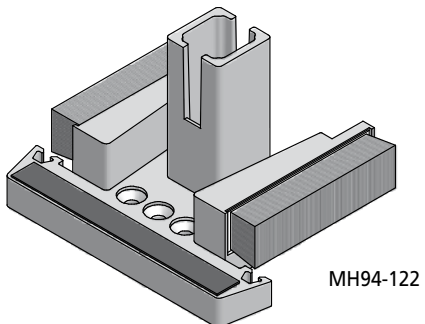
### KÖMMERLING

Threshold...(SH) Post...(MH) from plastic diecasted zinc end holders (EH)  
for outward opening doors and contour milled frames fitting to Kömmerling

Article Nr	Colour	to Profile	Frame	Width	Pack / Pair
SH94-0101g/g	grey	Elegance	0101	70mm	20
SH94-0102g/g	grey	Elegance	0102	85mm	20
SH94-2401g/g	grey	Classic	2401	70mm	20
SH94-2402g/g	grey	Classic	2402	85mm	20
SH93-1401/1406g/g	grey	3S	1401 1406		20
SH93-1402g/g	grey	3S	1402		20



Article Nr	Colour	to Profile	Profile	Width	Pack/Pieces
MH94-122g/g	grey	Elegance	0122	90mm	20
MH94-123g/g	grey	Elegance	0123	105mm	20
MH94-2422g/g	grey	Classic	2422	90mm	20
MH94-2423g/g	grey	Classic	2423	105mm	20
MH93-1422g/g	grey	3S	1422		20
MH93-1423g/g	grey	3S	1423		20

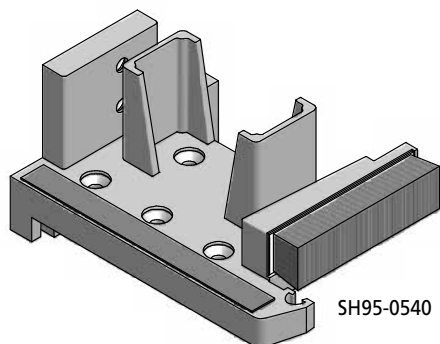


Article Nr	Colour	to Profile		Pack / Pair
EH93-03Köm *	raw	58mm		50
EH98-13 *	raw	70mm		50

\* upon request

## Threshold holder, post holder, end holders fitting to threshold „BASIC“

### REHAU



SH95-0540

Threshold...(SH) Post...(MH) from plastic diecasted zinc end holders (EH) for outward opening doors and contour milled frames fitting to Rehau

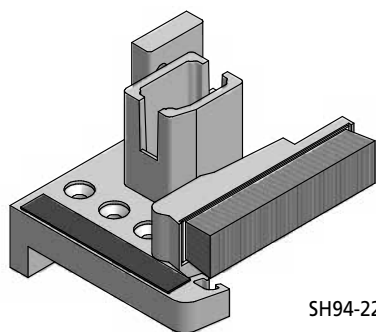
Article Nr	Colour	to Profile	Frame	Width	Pack / Pair
SH95-0000g	grey	Brillant	550000/05	68mm	20
SH95-0010g	grey	Brillant	550010/15	76mm	20
SH95-0540g	grey	Brillant	550540	98mm	20
SH95-4041g	grey	S730	554041/45		20
SH95-4061g	grey	S730	554061/65		20

Article Nr	Colour	to Profile	Profile	Width	Pack/Pieces
MH95-0020g	grey	Brillant	550020/25	86mm	20
MH95-0780g	grey	Brillant	550780	120mm	20
MH95-4091g	grey	S730	554091/95		20

Article Nr	Colour	to Profile	Material		Pack / Pair
EH93-02/raw *	raw	S730	Zinc		50
EH98-12/raw *	raw	Brillant	Zinc		50

\* upon request

### SALAMANDER

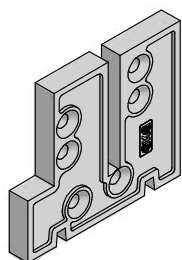


SH94-220

Threshold...(SH) Post...(MH) from plastic diecasted zinc end holders (EH) for outward opening doors and contour milled frames fitting to Salamander

Article Nr	Colour	to Profile	Frame	Width	Pack/ Pair
SH94-0026g/g	grey	2D	210020	70mm	20
SH94-0030g/g	grey	2D	210030	80mm	20
SH94-220g/g	grey	Streamline	250220	68mm	20
SH94-230g/g	grey	Streamline	250230	85mm	20
SH94-110g/g	grey	3D rund	110220	80mm	20
SH94-225g/g	grey	3D 15°	110225	80mm	20

Article Nr	Colour	to Profile	Profile	Width	Pack/Pieces
MH94-2025g/g	grey	2D	212025	82mm	20
MH94-2030g/g	grey	2D	212030	102mm	20
MH94-120g/g	grey	Streamline	252120	82mm	20
MH94-130g/g	grey	Streamline	252130	102mm	20
MH94-112g/g	grey	3D round	112220	108mm	20
MH94-125g/g	grey	3D 15°	112125	108mm	20



EH98-03

Article Nr	Colour	to Profile			Pack / Pair
EH93-09 *	raw	2D			50
EH98-03 *	raw	3D			50
EH98-03/Streamline *	raw	Streamline			50

\* upon request

## Threshold holder, post holder, end holders fitting to threshold „BASIC“

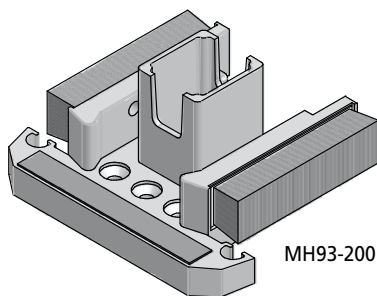
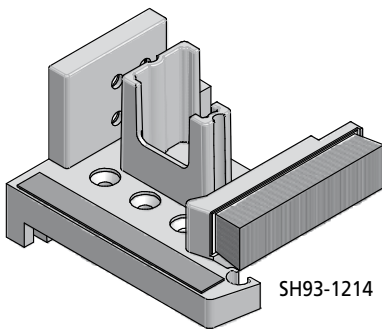
<b>SCHÜCO</b>		Diecasted zinc end holders (EH) for outward opening doors and contour milled frames fitting to Schüco			
Article Nr	Colour	to Profile			Pack / Pair
EH93-16Schüc *	raw	Corona 60			50
EH98-26 *	raw	Corona CT70			50

\* upon request

<b>TROCAL</b>		Diecasted zinc end holders (EH) for outward opening doors and contour milled frames fitting to Trocal			
Article Nr	Colour	to Profile			VE / Pair
EH98-12 *	raw	Innonova 70			50

\* upon request

<b>VEKA</b>		Threshold...(SH) Post...(MH) from plastic diecasted zinc end holders (EH) for outward opening doors and contour milled frames fitting to Veka				
Article Nr	Colour	to Profile	Frame	Width	Pack / Pair	
SH93-085g/g	grey	Softline 58	101085		20	
SH93-086g/g	grey	Softline 58	101086		20	
SH93-094g/g	grey	Softline 58	101094		20	
SH93-111g/g	grey	Softline 58	101111		20	
SH93-200g/g	grey	Topline	101200 101204	67mm	20	
SH93-201/205g/g	grey	Topline	101201 101205	75mm	20	
SH93-202g/g	grey	Topline	101202	100mm	20	
SH93-203g/g	grey	Topline	101203	85mm	20	
SH93-1206g/g	grey	Topline	101206	80mm	20	
SH93-208g/g	grey	Softline 70	101208	67mm	20	
SH93-1214g/g	grey	Softline 70	101214	80mm	20	
SH93-215g/g	grey	Softline 70	101215	100mm	20	
SH93-1235g/g	grey	Swingline	101235	80mm	20	

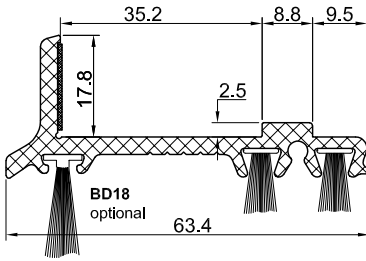


Article Nr	Colour	to Profile	Profile	Width	Pack/Pieces
MH93-087g/g	grey	Softline 58	102087		20
MH93-102g/g	grey	Softline 58	102102		20
MH93-103/113g/g	grey	Softline 58	102103 102113		20
MH93-200g/g	grey	Topline	102200	85mm	20
MH93-202g/g	grey	Topline	102202	118mm	20
MH93-2218g/g	grey	Softline 70	102218	85mm	20
MH93-238g/g	grey	Softline 70	102238	118mm	20
MH93-2235g/g	grey	Swingline	102235	85mm	20

Article Nr	Colour	to Profile			Pack / Pair
EH93-04VEK *	raw	58mm			50
EH98-14 *	raw	70mm			50

\* upon request

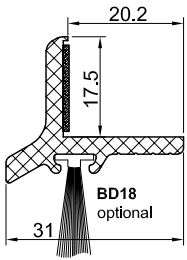
## System „BASIC“: Weatherside Profile



### PVC-Weatherside profile, self adhesive, 1100mm long with double brush seal

Article Nr	Colour	Width	Renolit/RAL	Pack/ Set
WSK9363/9016 *	white	63mm	9016	25
WSK9363/silver *	silver painted	63mm	9006	25
WSK9363/851805 *	blackbrown foiled	63mm	851805	25

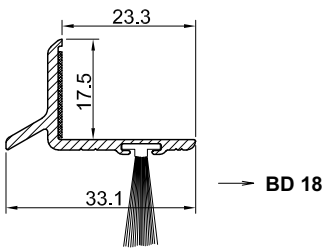
\* upon request



### PVC-Weatherside profile, self adhesive, 5000mm long

Article Nr	Colour	Width	Renolit/RAL	Pack / Meter
WS9325/9016	white	31mm	9016	50

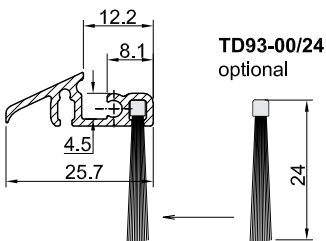
upon request



### Aluminium-Weatherside profile, self adhesive, 5000mm long

Article Nr	Colour	Width	Remarks	Pack / Meter
WSA9428/EV1	EV1 anodized	23,3mm	inc. BD18	50
WSA9428/EV1/o.Brush	EV1 anodized	23,3mm	without BD18	50

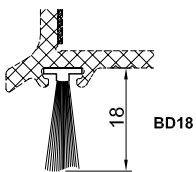
upon request



### Aluminium Weatherside profile, 5000mm long

Article Nr	to Profile	Colour		Pack / Meter
WS2510 *	Kömmerling 70mm Salamander 76mm	EV1 anodized		50
Article Nr	to Profile	Length	Size	Pack/Pieces
TD93-00/24mm	Brush to WS2510	1100mm	24mm	50

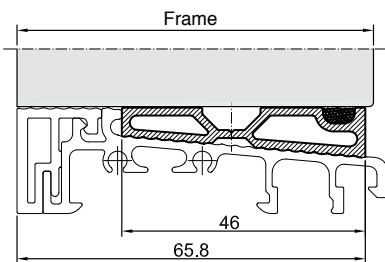
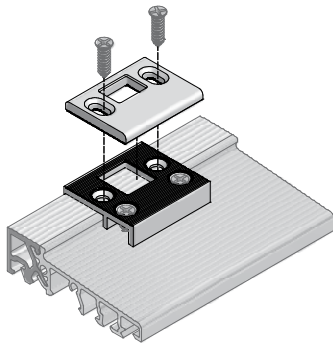
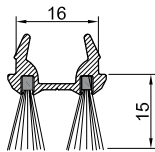
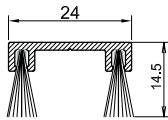
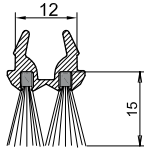
\* only upon request



### Brush seals optional to weatherside profiles

Article Nr	Fitting to	Length		Pack/Pieces
BD18	WSK9355 WSK9363 WS9325 WSA9428	1100mm		10

## Weatherside Profile, Aluminium draught excluders, Shoot bolt keeps



TS2101

### Aluminium draught excluder, 1100mm long

Article Nr	Colour	Remarks	Pack / Set
TD93-12	raw	with 2 Brushes	50
TD93-12/1	raw	with 1 Brush	50

Article Nr	Colour	Remarks	Pack / Set
TD93-15	raw	with 2 Brushes	50
TD93-15/1	raw	with 1 Brush	50

Article Nr	Colour	Remarks	Pack / Set
TD93-16	raw	with 2 Brushes	50
TD93-16/1	raw	with 1 Brush	50

### Optional brushes for TD93-...

Article Nr	Brush height	Colour	Pack/Pieces
TD93-00/13mm	13mm	black	50
TD93-00/15mm	15mm	black	50
TD93-00/24mm	24mm	black	50
TD93-00/28mm	28mm	black	50

### 2 piece adjustable bolt keeps

Article Nr	Colour	Pack / Set
SST170	silver	20

### Aluminium leveling Profile for Threshold, 4500mm long

Article Nr	Colour	Width	Pack / Meter
TS2101/46mm	EV1 anodized	46mm	45

only upon request



## Information request on **GKG**

**Fax: + 49 (0) 52 41 - 94 48 -48**

- Please send us your Catalogue, free of charge, about accessories for the following system:

---

- Please send us the following samples, free of charge:

---

- Request visit!

Firm name:

---

Address:

---

Street:

---

Fon/Fax:

---

Contact person:

---

- Threshold systems in 20mm and 0mm heights
- Transom and Mullion joints
- Weldable corner joints
- Glazing bar Profiles
- Glass bridges
- Balcony door handles
- Water drainage caps
- We can also design and produce Customer specific requirements